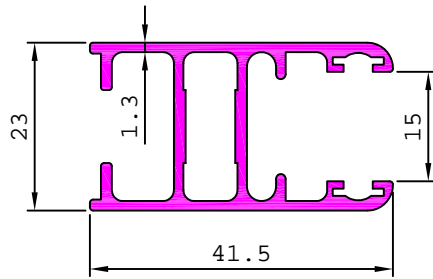


WINDOW SECTIONS (DELUXE SERIES)

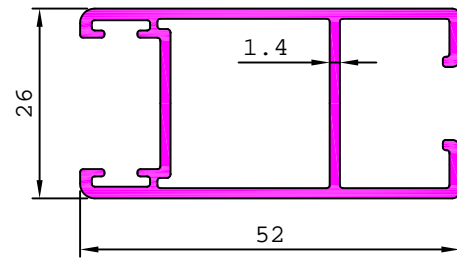
21048

0.591 kg/m



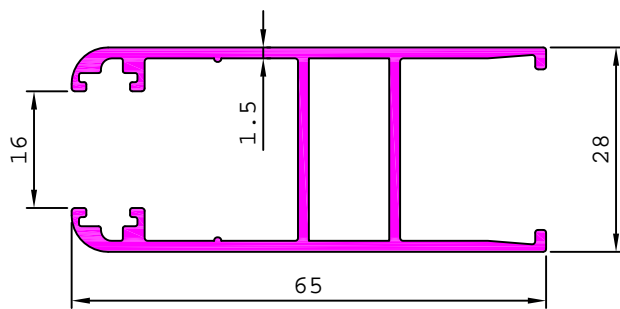
21158

0.675 kg/m



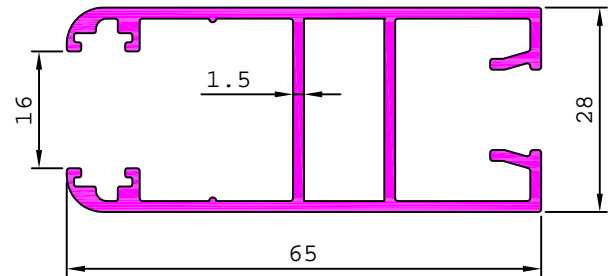
21067

0.824 kg/m



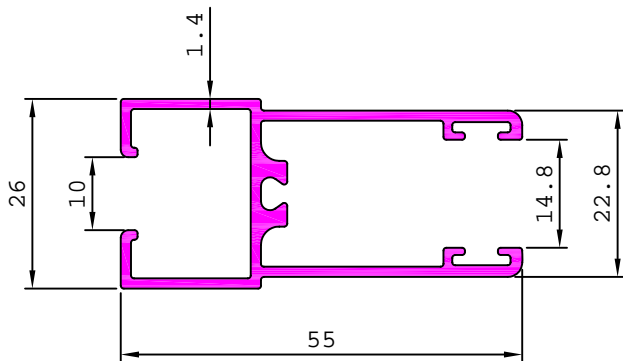
21068

0.912 kg/m



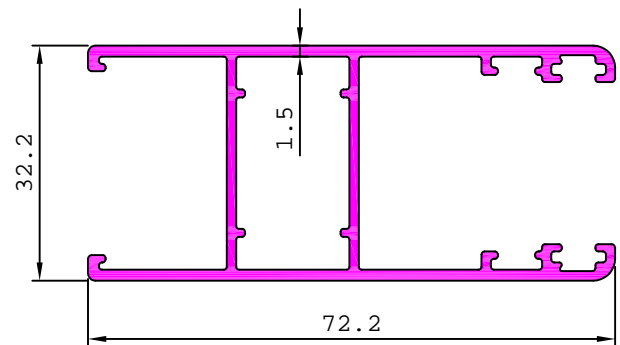
21157

0.680 kg/m



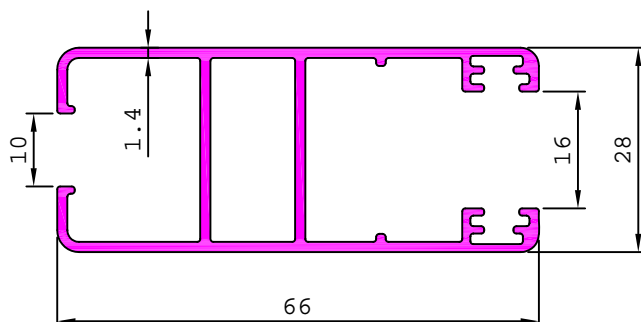
21350

0.914 kg/m



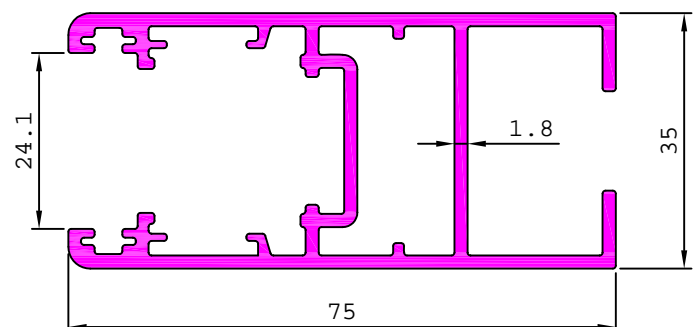
21358

0.839 kg/m



21384

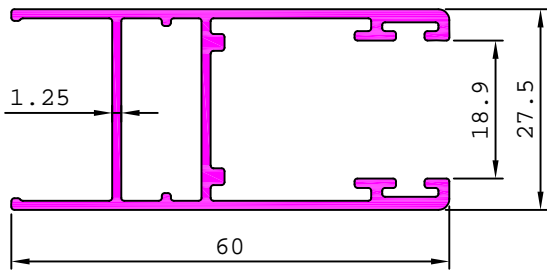
1.385 kg/m



WINDOW SECTIONS (DELUXE SERIES)

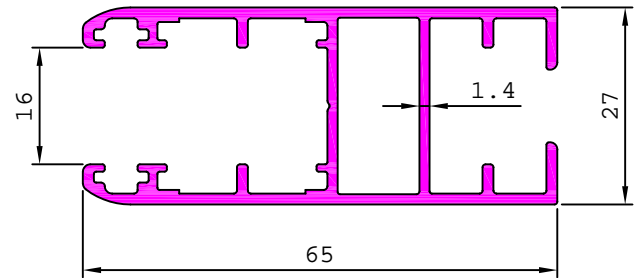
21372

0.719 kg/m



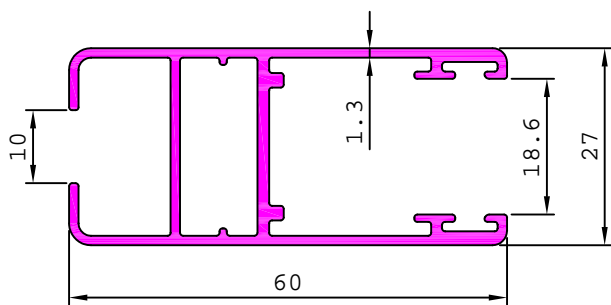
21375

0.926 kg/m



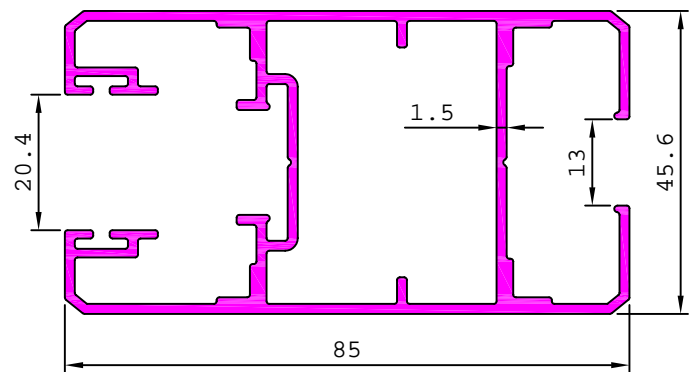
21241

0.778 kg/m



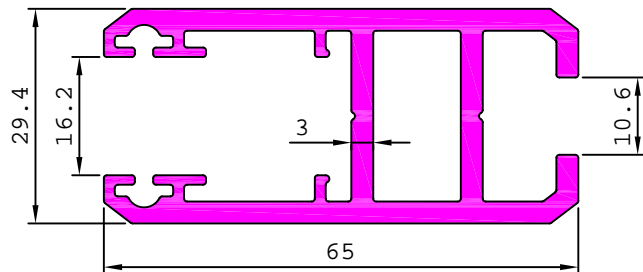
21457

1.625 kg/m



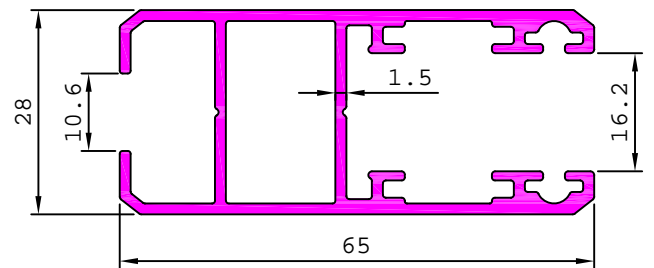
21469

1.634 kg/m



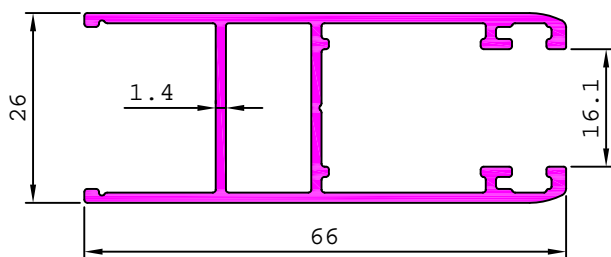
21481

1.020 kg/m



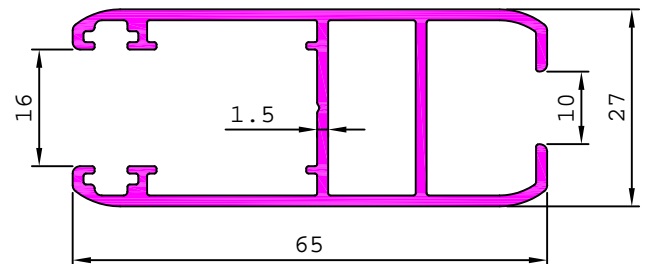
21486

0.774 kg/m



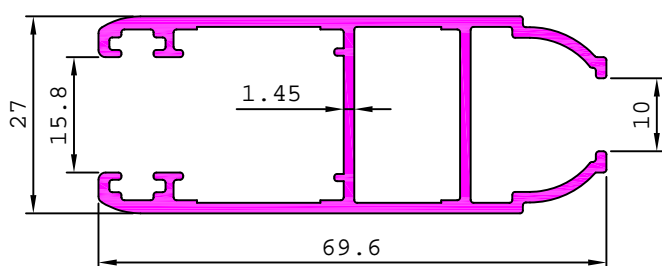
21490

0.851 kg/m



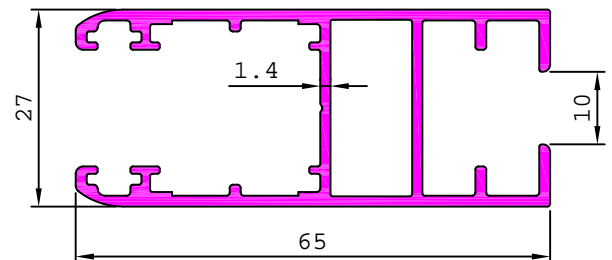
21633

0.888 kg/m



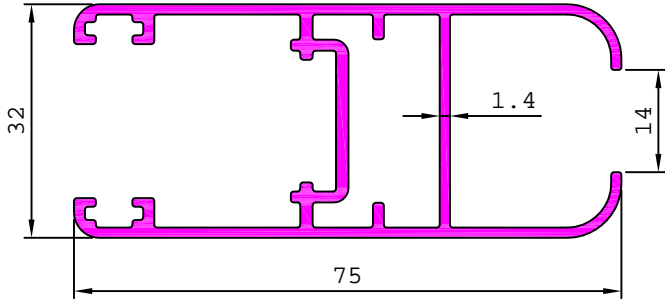
21554

0.905 kg/m

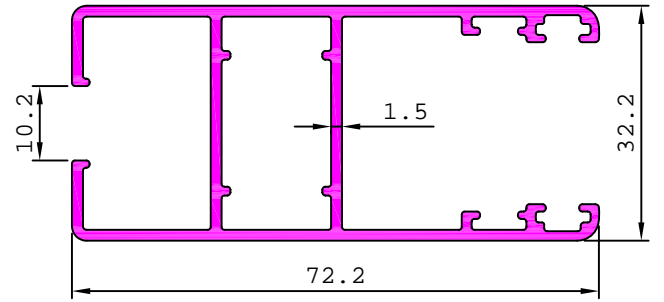


WINDOW SECTIONS (DELUXE SERIES)

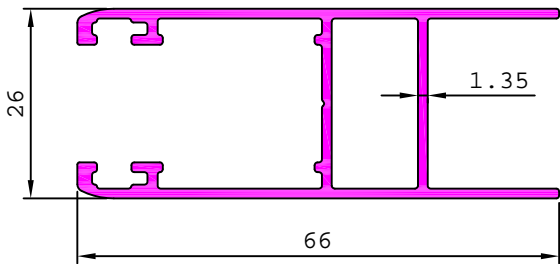
21557 1.020 kg/m



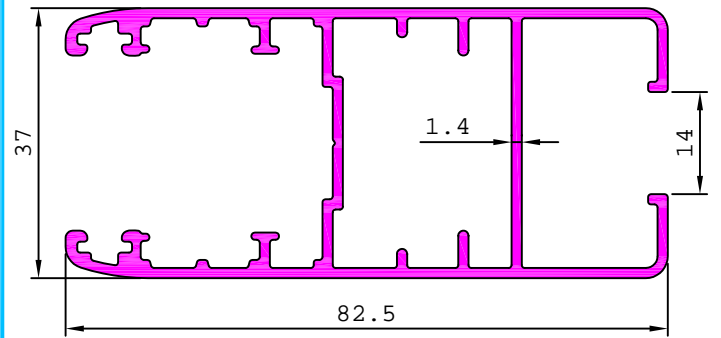
S4395 1.005 kg/m



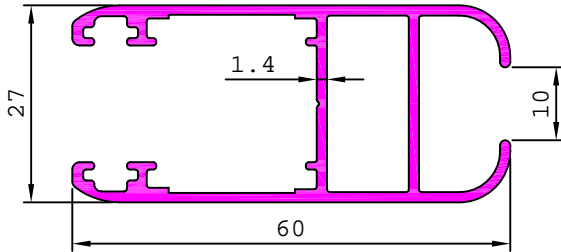
21596 0.747 kg/m



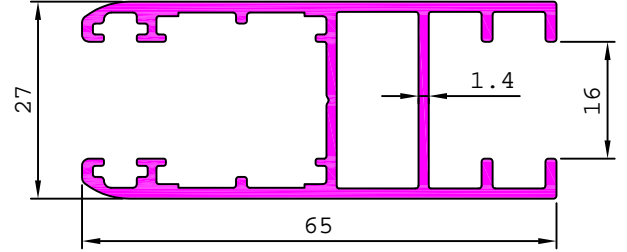
21597 1.221 kg/m



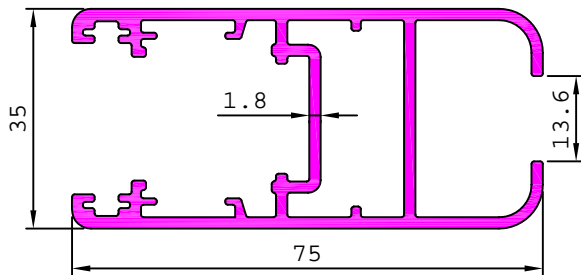
21615 0.767 kg/m



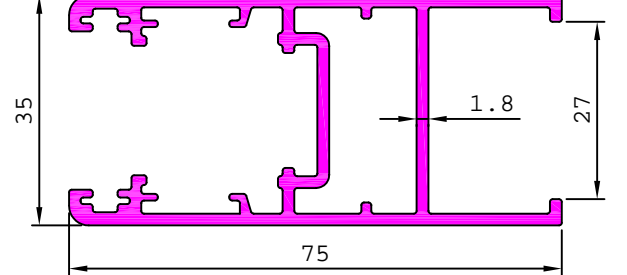
21618 0.874 kg/m



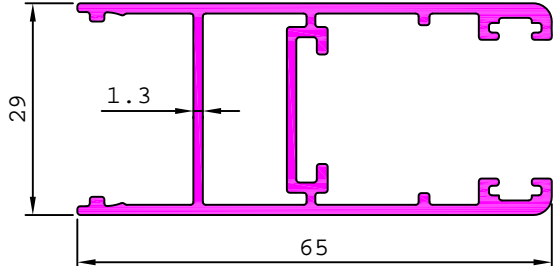
21614 1.359 kg/m



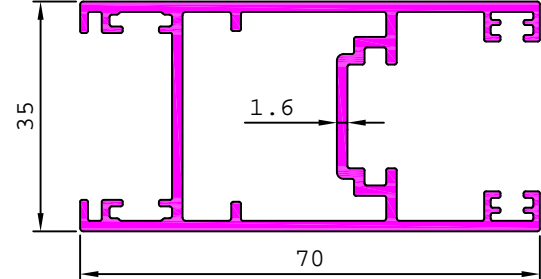
21619 1.319 kg/m



21643 0.845 kg/m

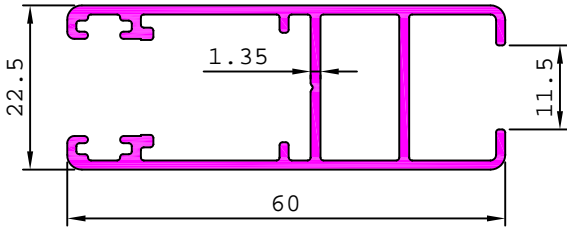


21687 1.137 kg/m

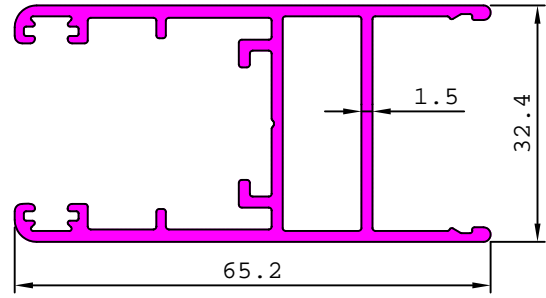


WINDOW SECTIONS (DELUXE SERIES)

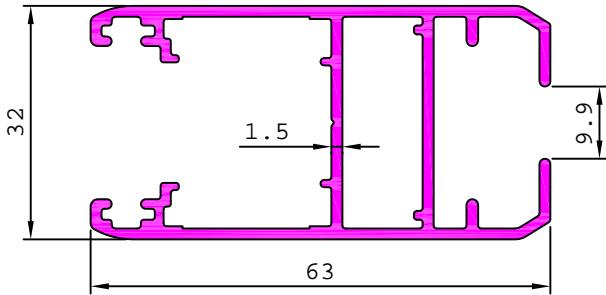
S4901 0.679 kg/m



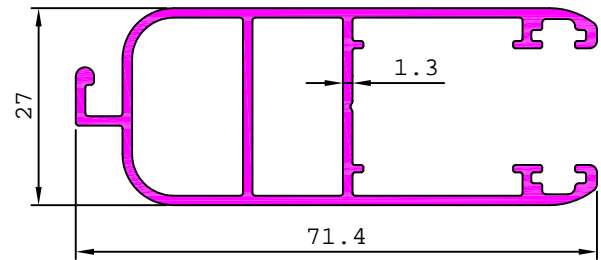
S4734 0.944 kg/m



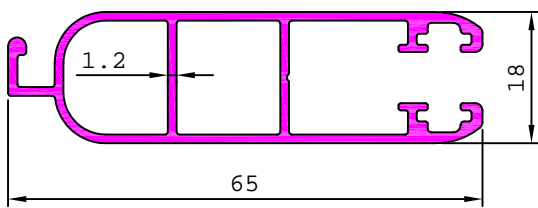
S4929 0.979 kg/m



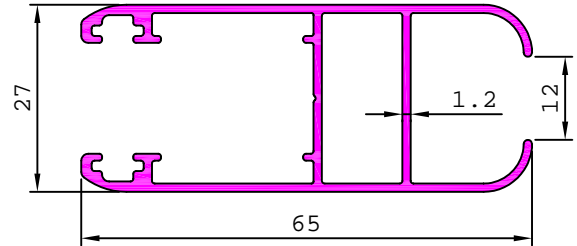
S4909 0.845 kg/m



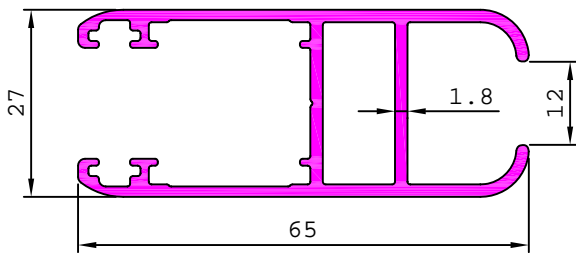
S5064 0.660 kg/m



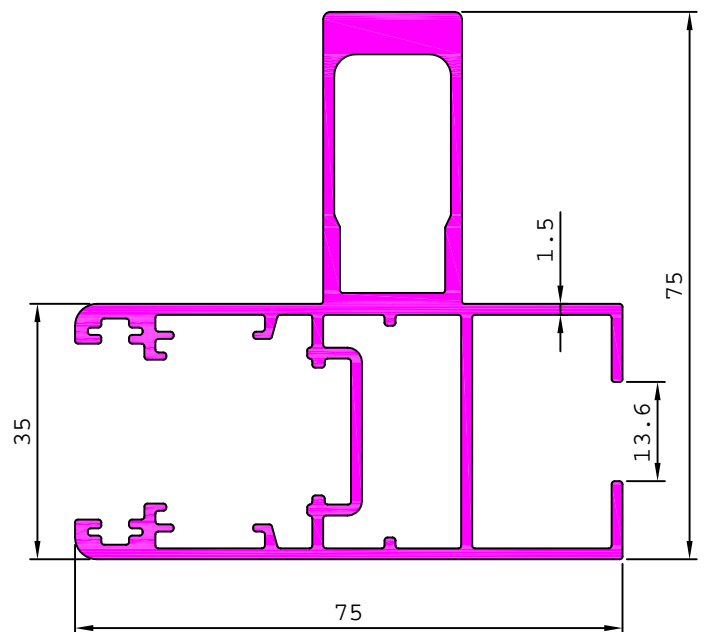
S5065 0.706 kg/m



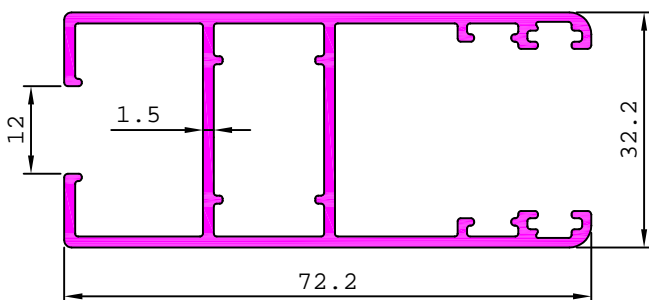
S5066 0.930 kg/m



21679 1.906 kg/m



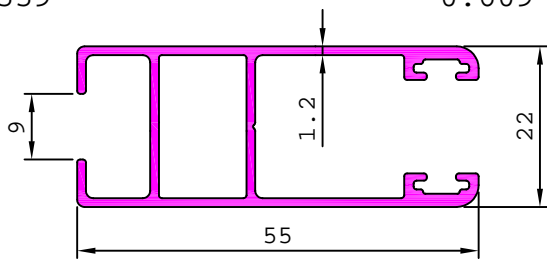
21533 0.999 kg/m



WINDOW SECTIONS (DELUXE SERIES)

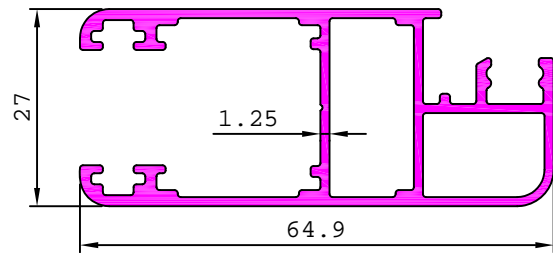
21559

0.609 kg/m



S5176

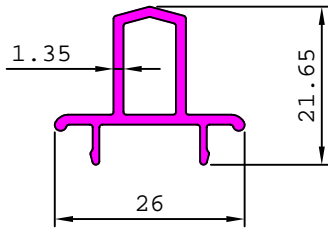
0.875 kg/m



WINDOW SECTIONS (DELUXE SERIES)

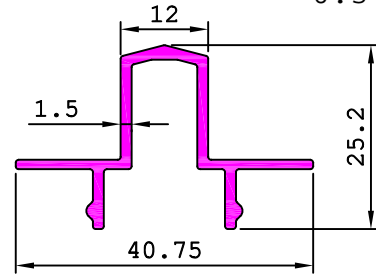
21419

0.253 kg/m



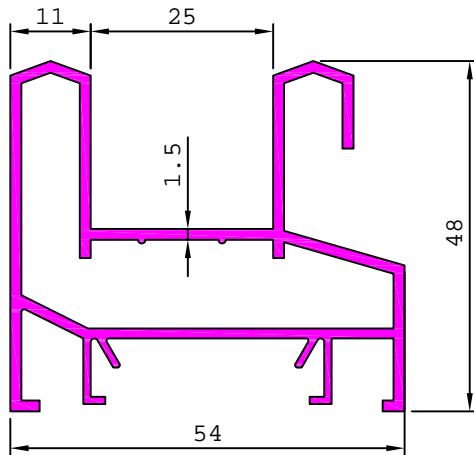
21456

0.342 kg/m



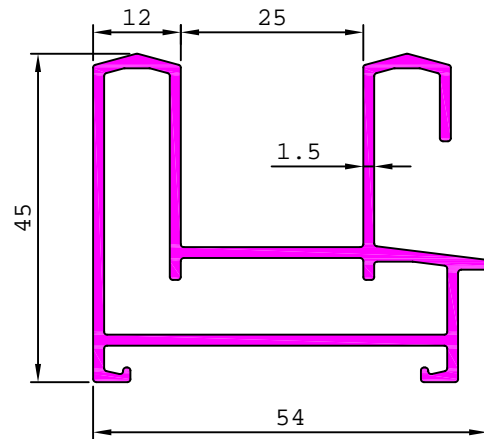
21081

1.047 kg/m



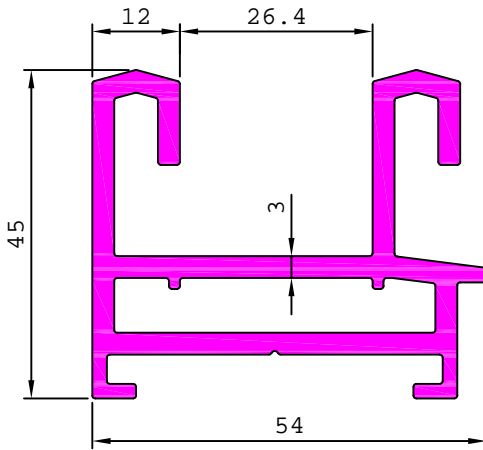
21402

0.993 kg/m



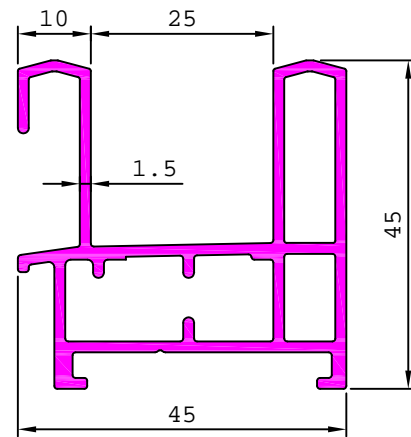
21470

1.754 kg/m



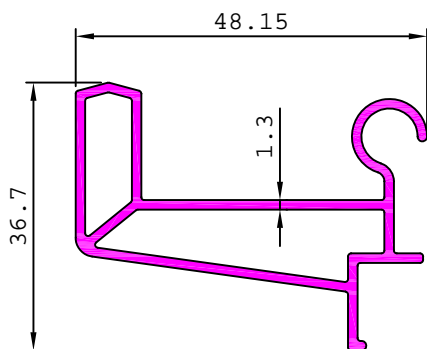
21374

1.004 kg/m



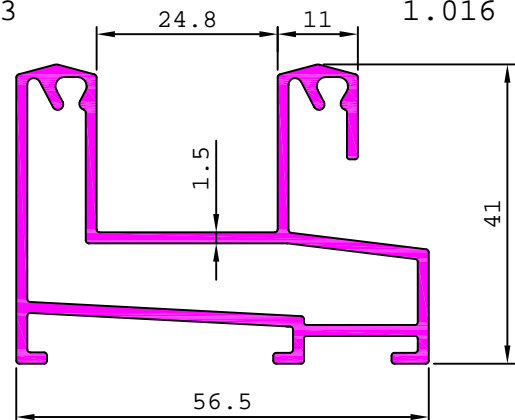
S4931

0.628 kg/m



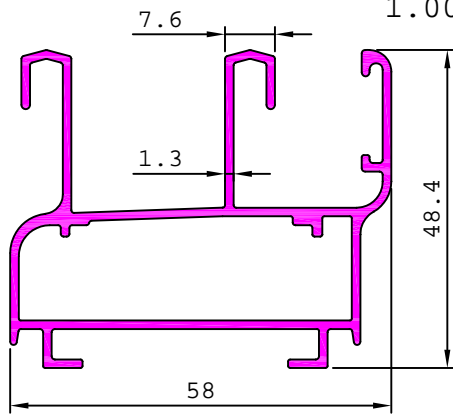
21163

1.016 kg/m

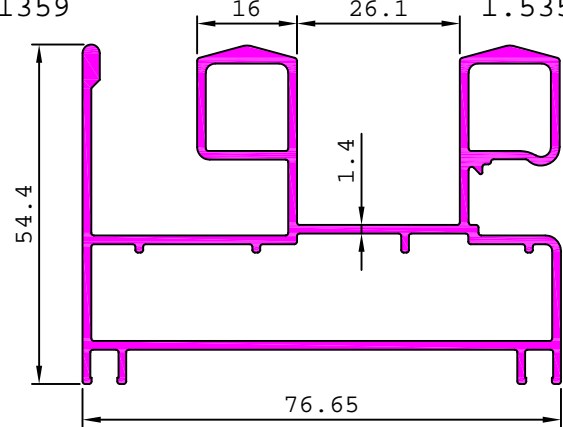


WINDOW SECTIONS (DELUXE SERIES)

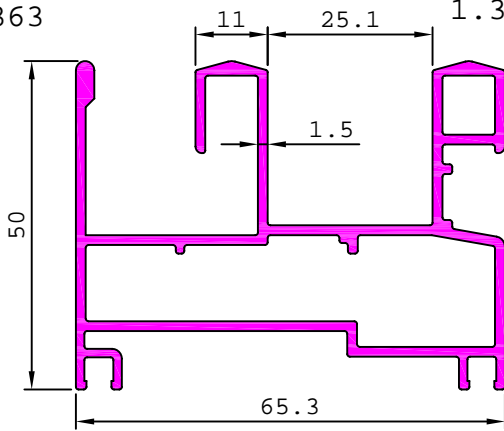
S4902 1.002 kg/m



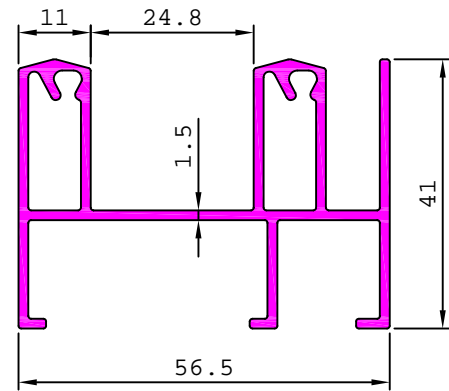
21359 1.535 kg/m



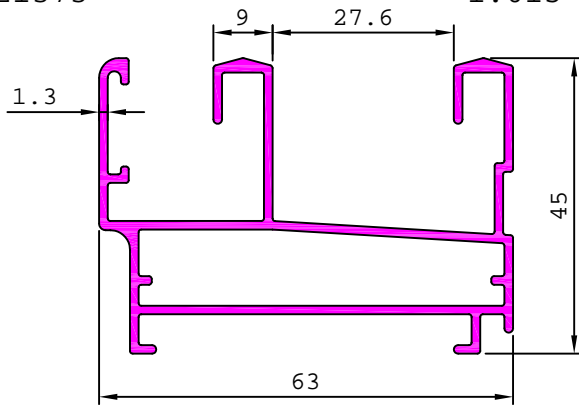
21363 1.328 kg/m



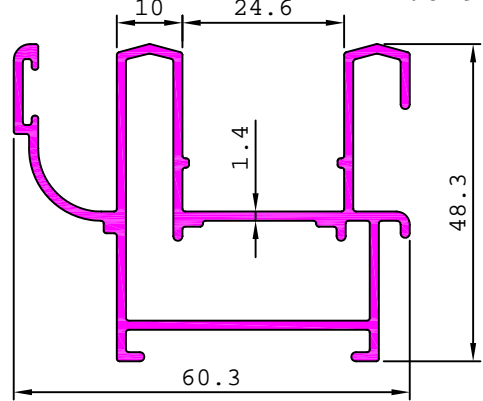
21162 1.020 kg/m



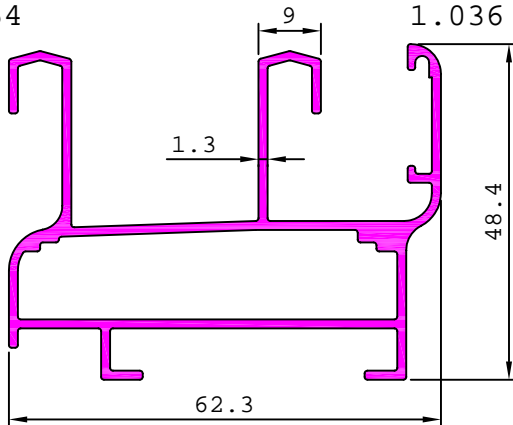
21373 1.015 kg/m



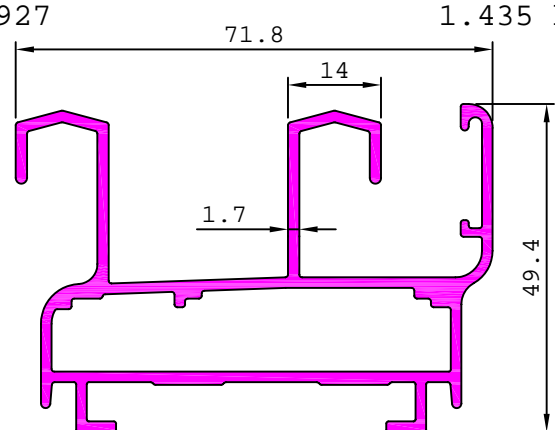
21632 1.049 kg/m



S4554 1.036 kg/m



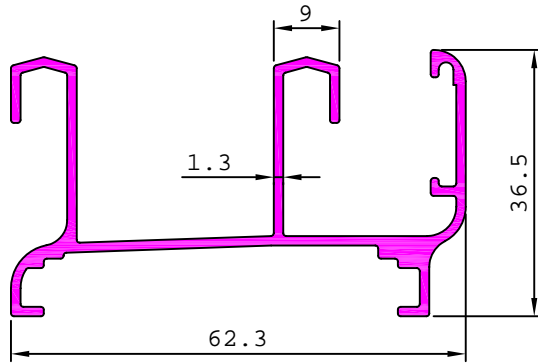
S4927 1.435 kg/m



WINDOW SECTIONS (DELUXE SERIES)

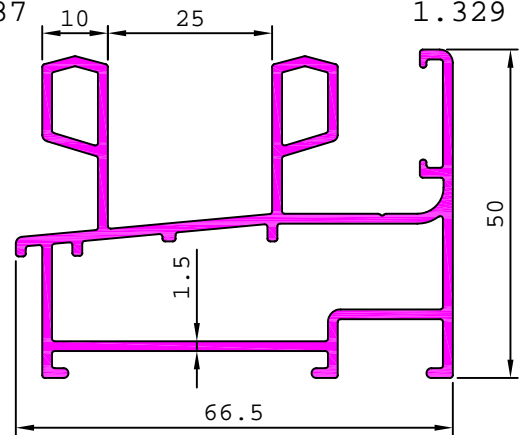
S4557

0.739 kg/m



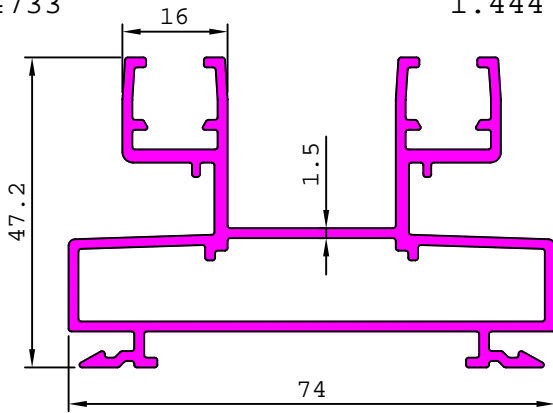
21487

1.329 kg/m



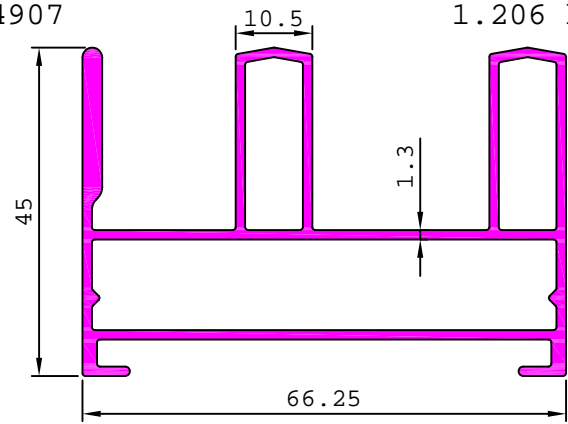
S4733

1.444 kg/m



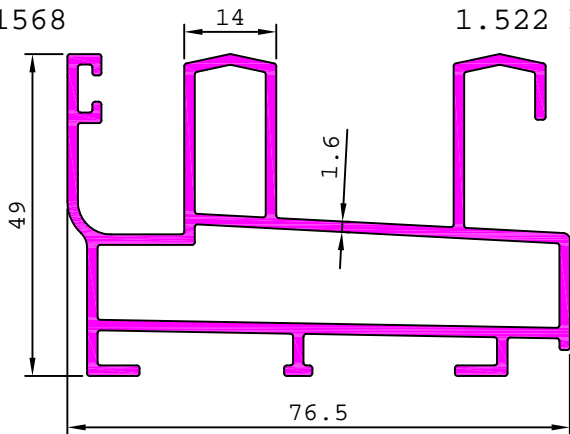
S4907

1.206 kg/m



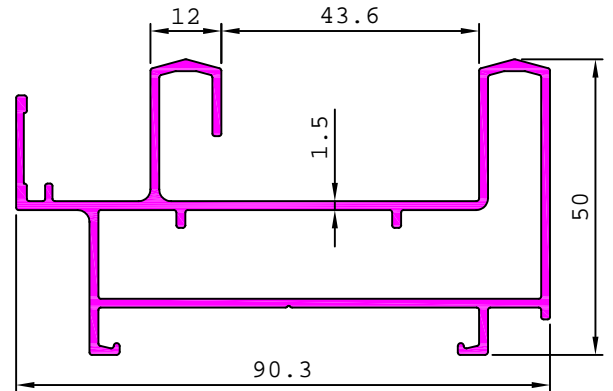
21568

1.522 kg/m



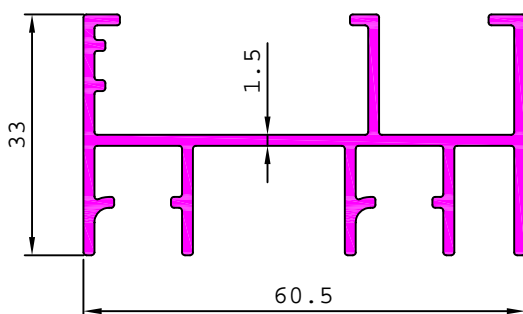
21427

1.379 kg/m



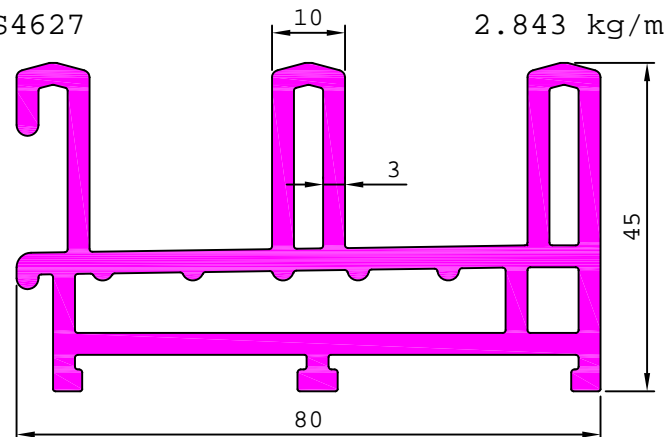
21156

0.836 kg/m



S4627

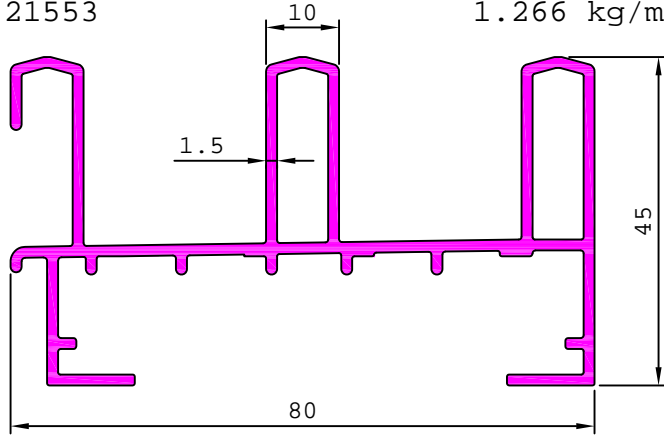
2.843 kg/m



WINDOW SECTIONS (DELUXE SERIES)

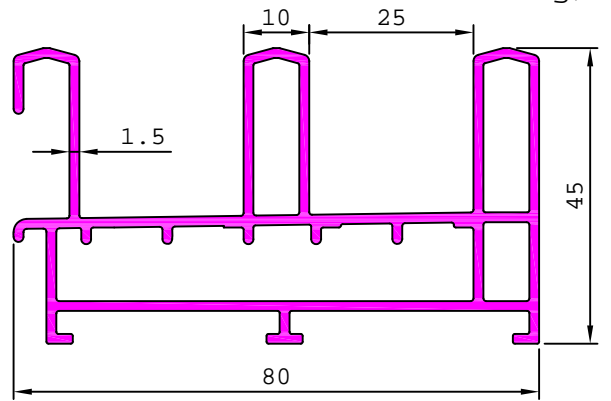
21553

1.266 kg/m



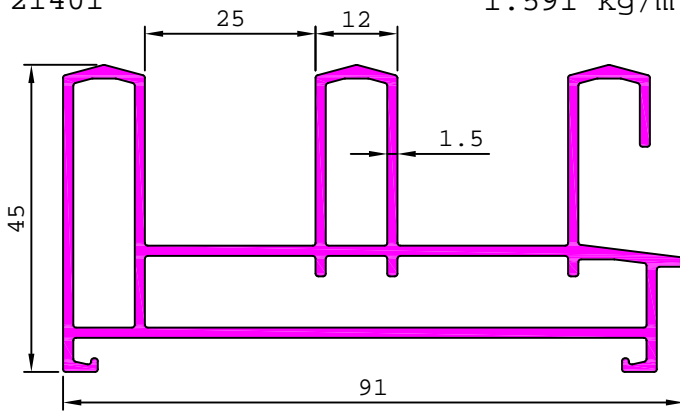
21376

1.555 kg/m



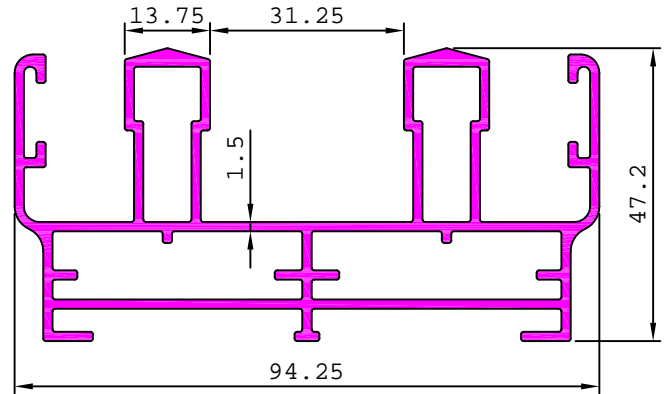
21401

1.591 kg/m



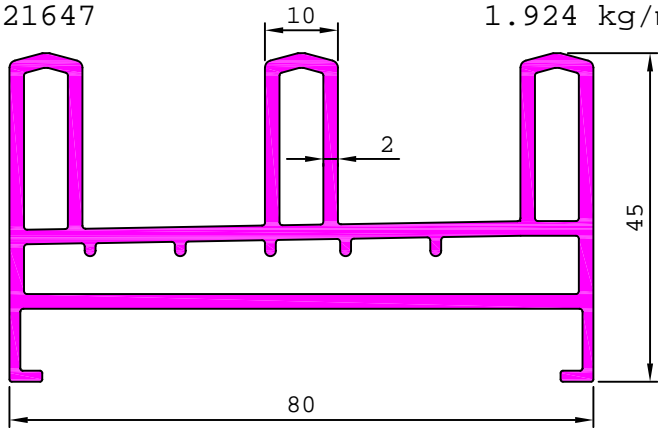
21385

1.972 kg/m



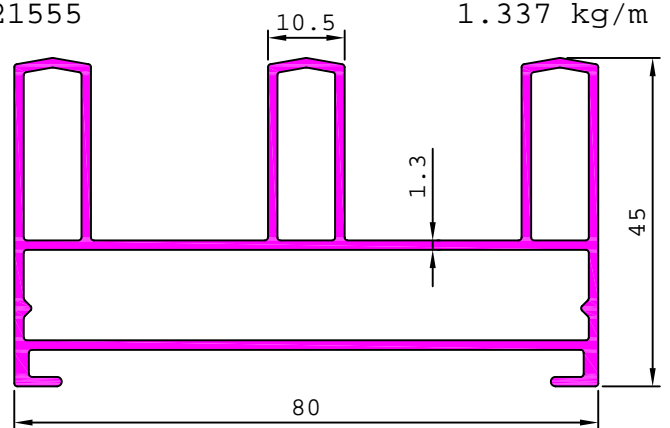
21647

1.924 kg/m



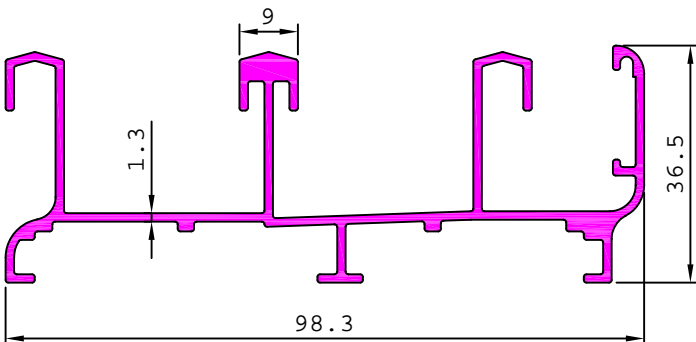
21555

1.337 kg/m



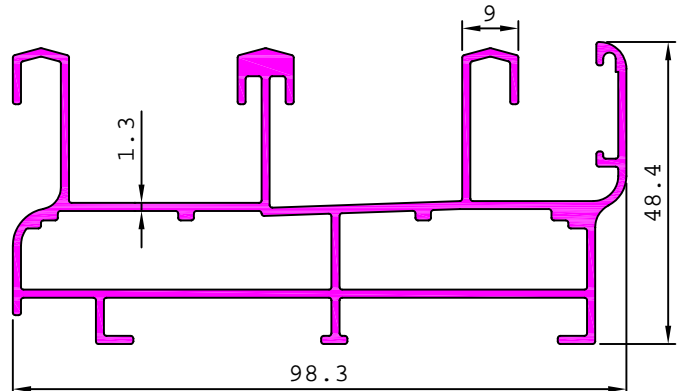
S4556

1.136 kg/m

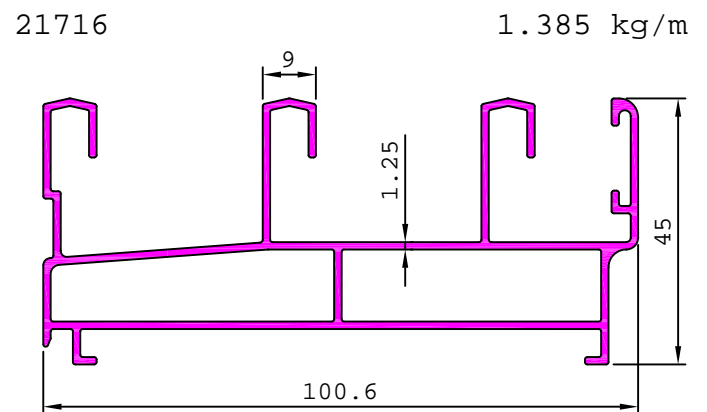
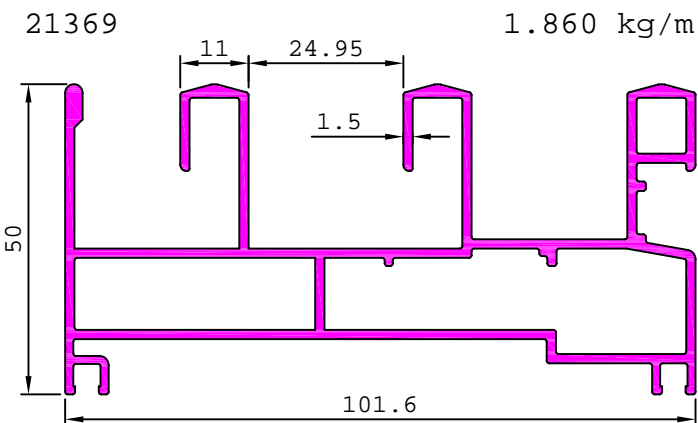
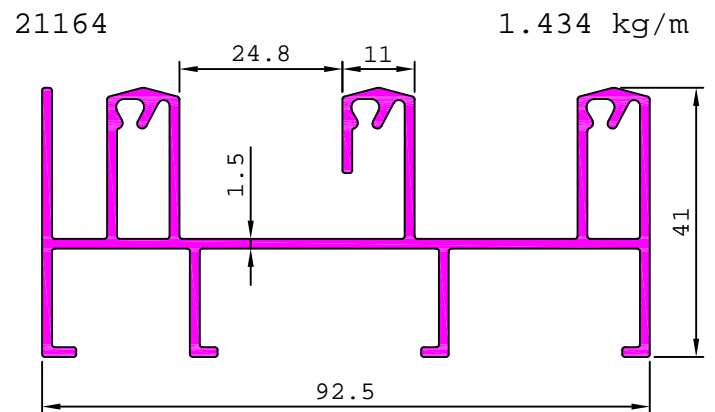
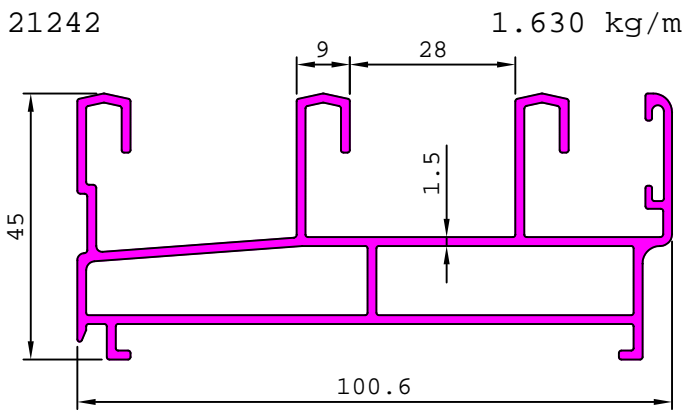
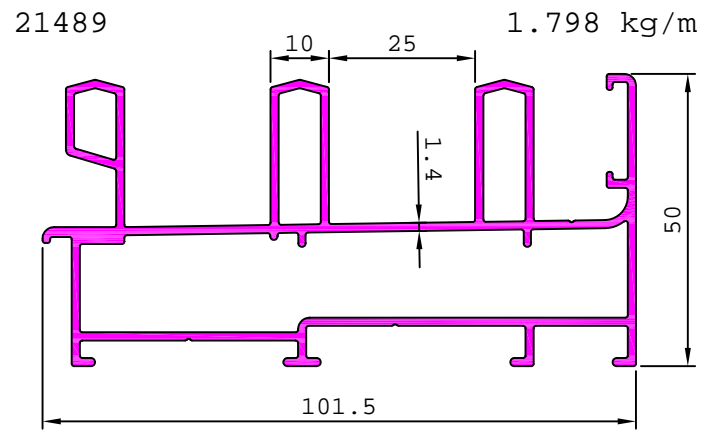
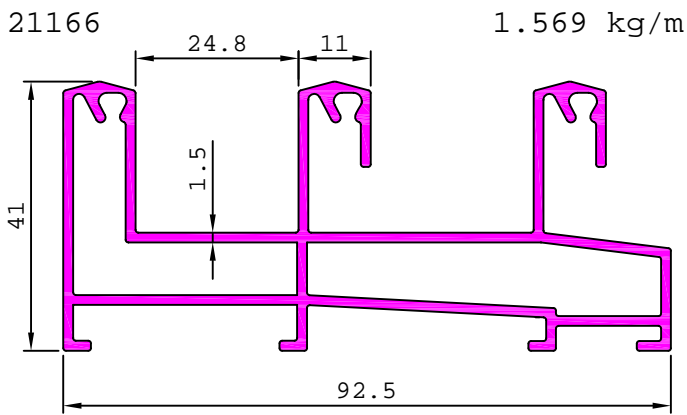
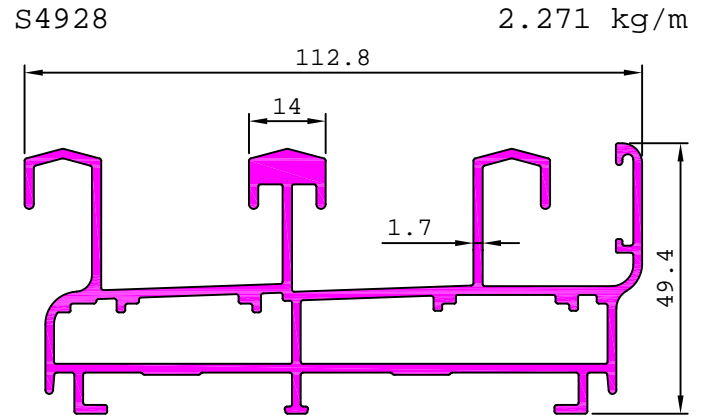
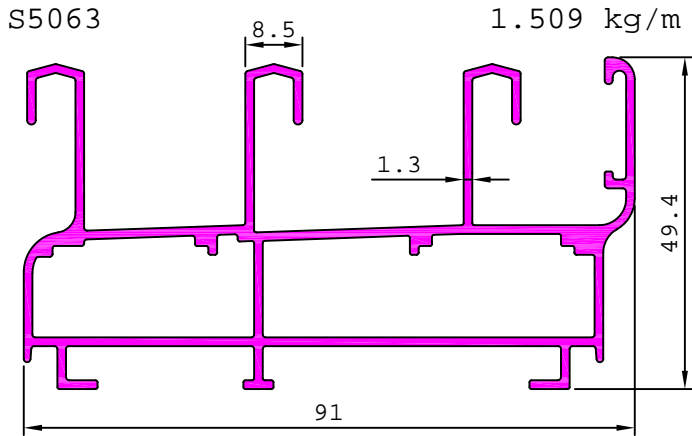


S4555

1.587 kg/m



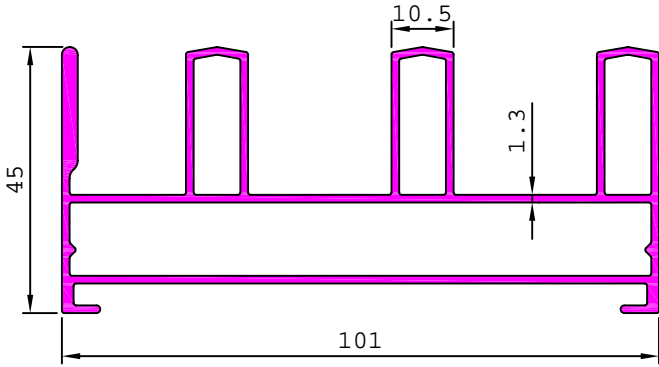
WINDOW SECTIONS (DELUXE SERIES)



WINDOW SECTIONS (DELUXE SERIES)

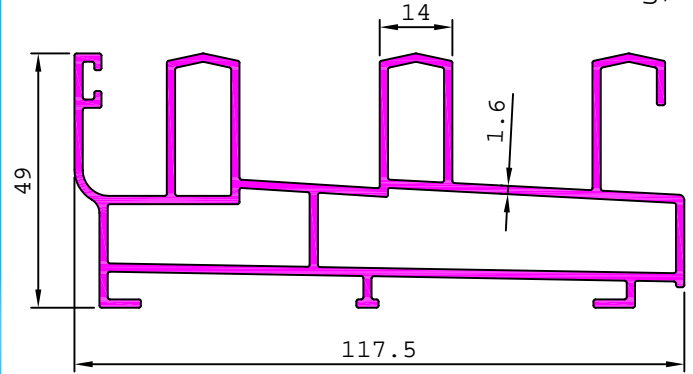
S4908

1.648 kg/m



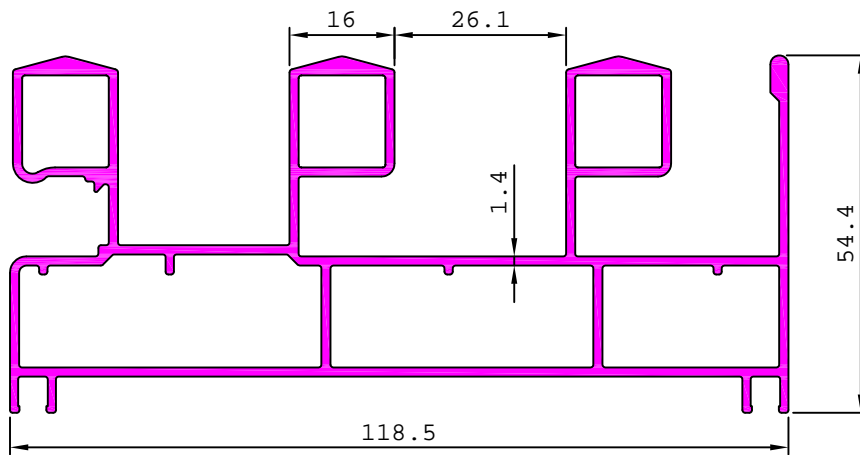
21569

2.193 kg/m



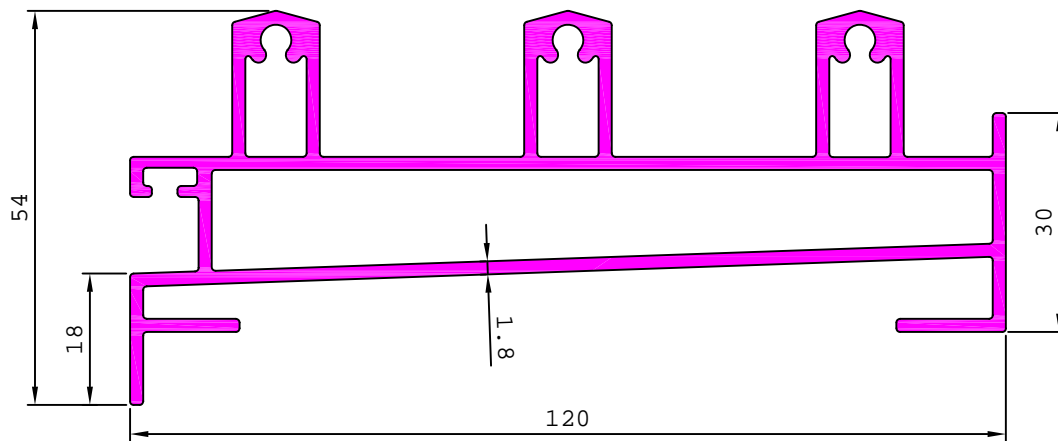
21360

2.254 kg/m



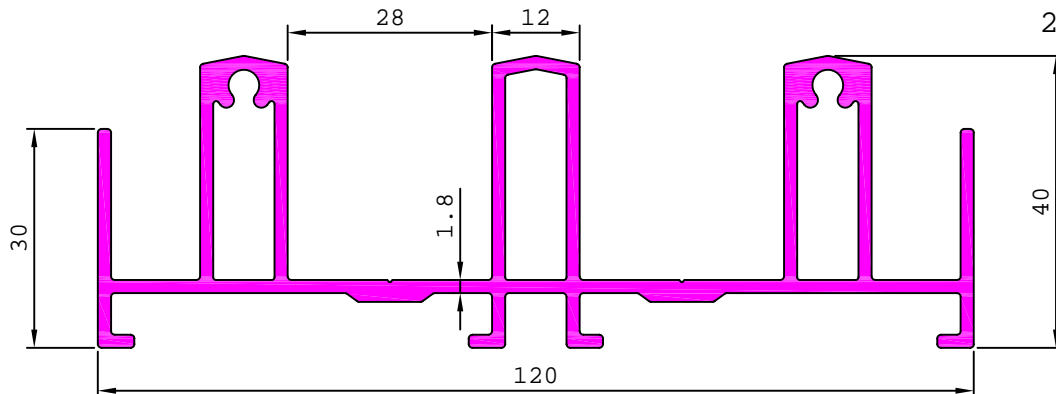
21190

2.429 kg/m



21189

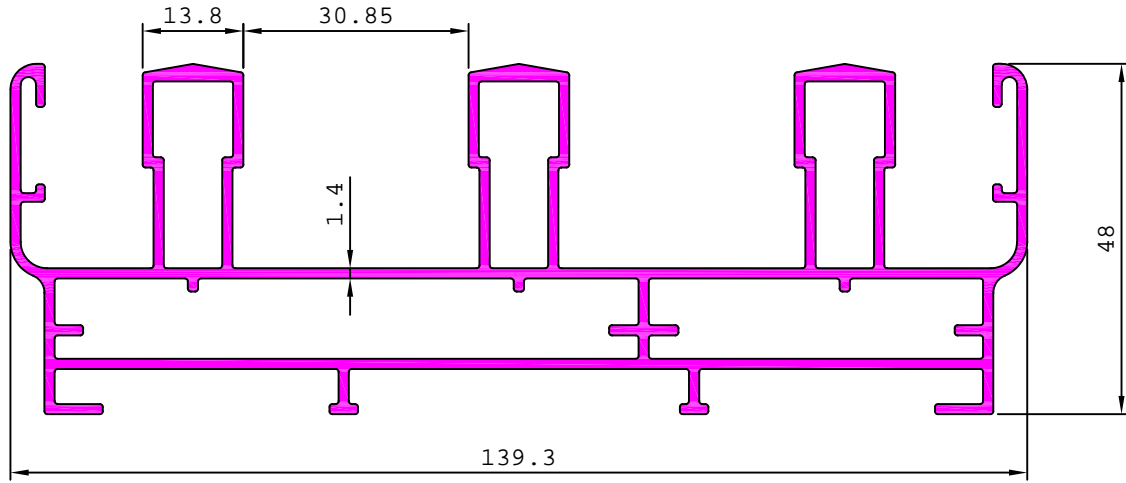
2.168 kg/m



WINDOW SECTIONS (DELUXE SERIES)

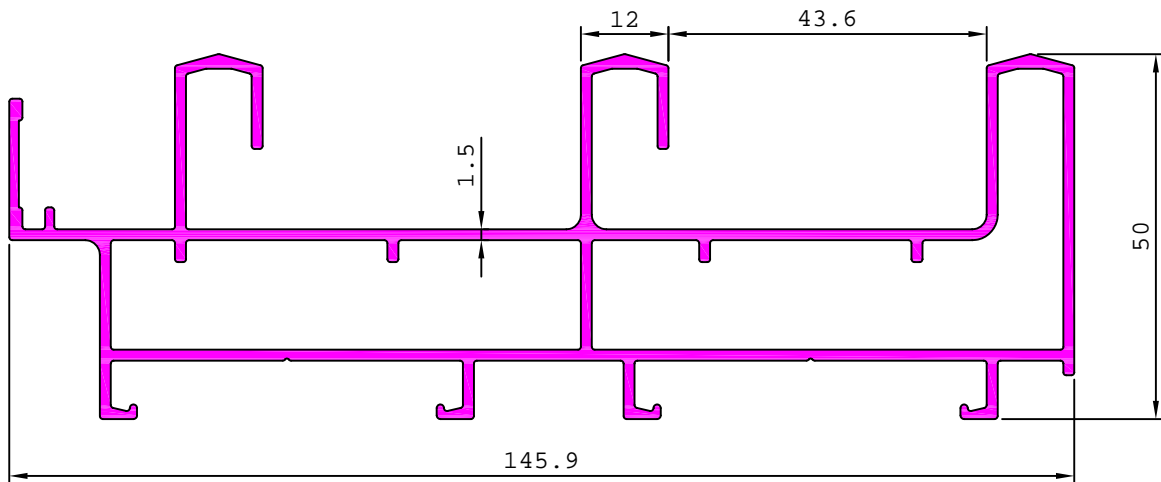
21480

2.480 kg/m



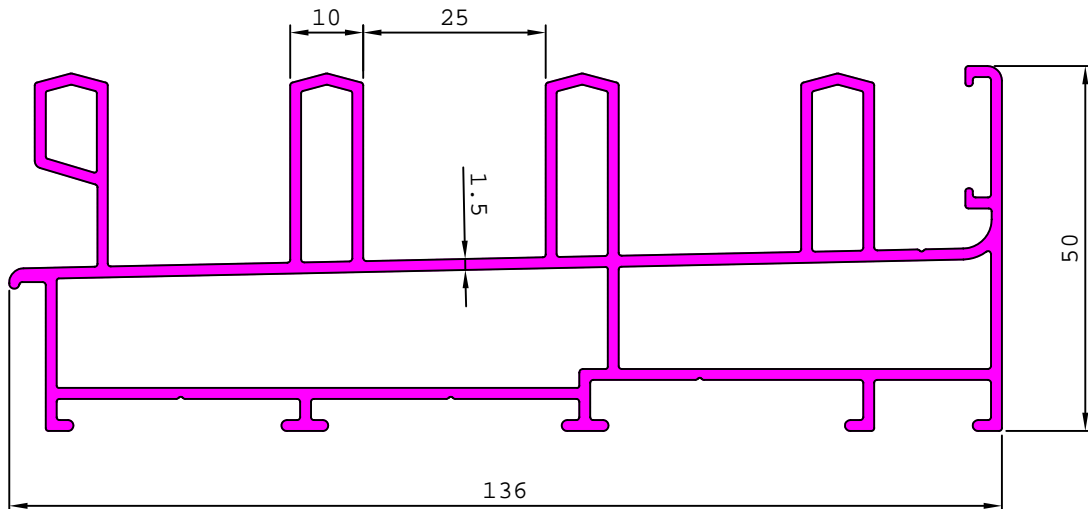
21428

2.183 kg/m



21488

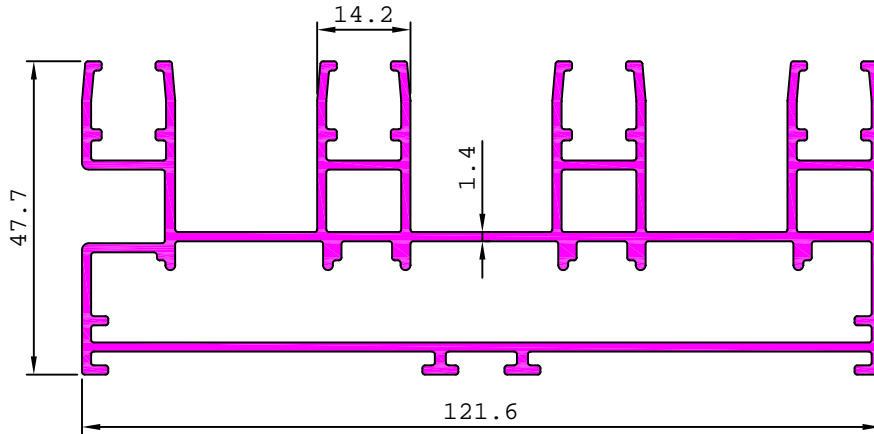
2.466 kg/m



WINDOW SECTIONS (DELUXE SERIES)

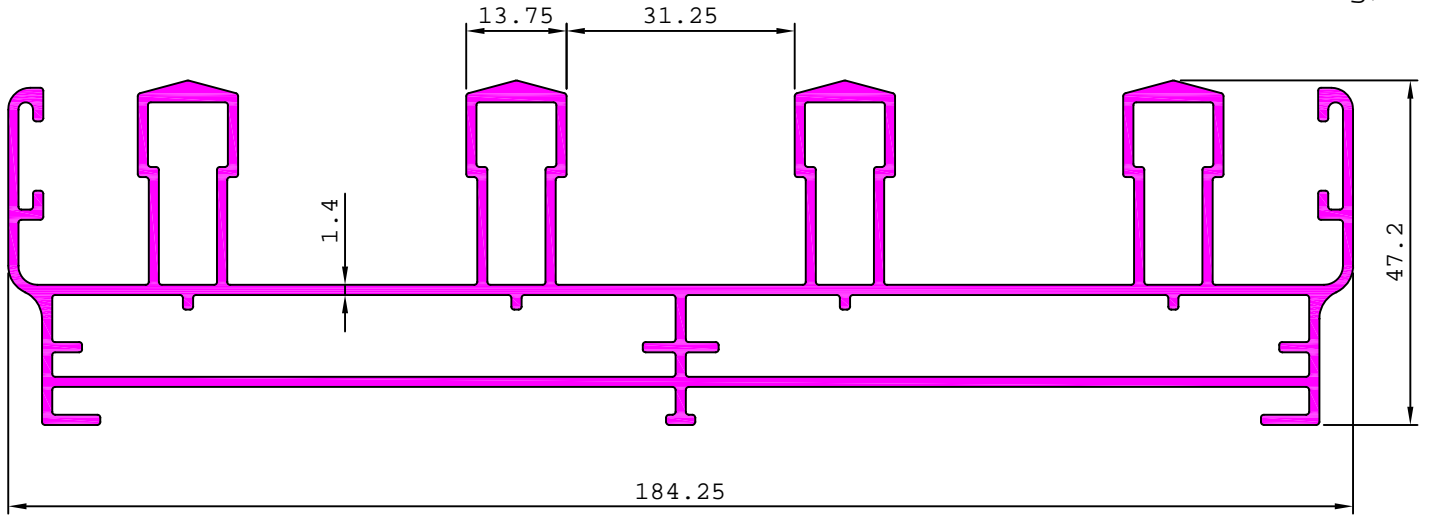
21644

2.342 kg/m



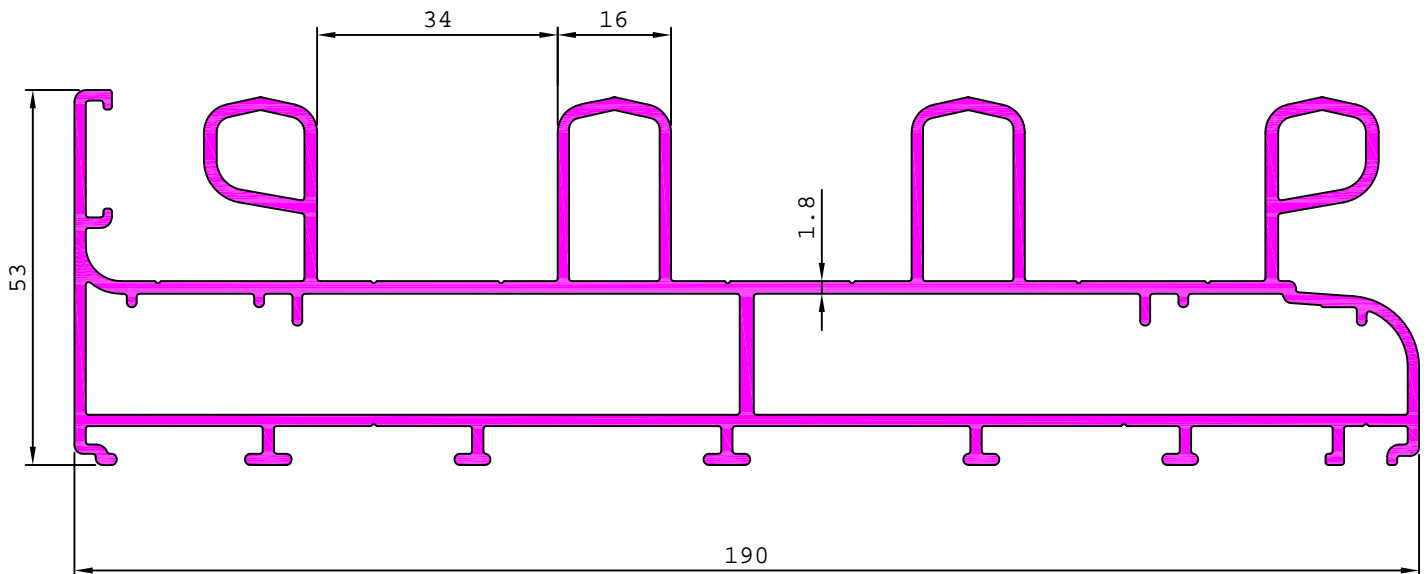
21497

3.109 kg/m



21498

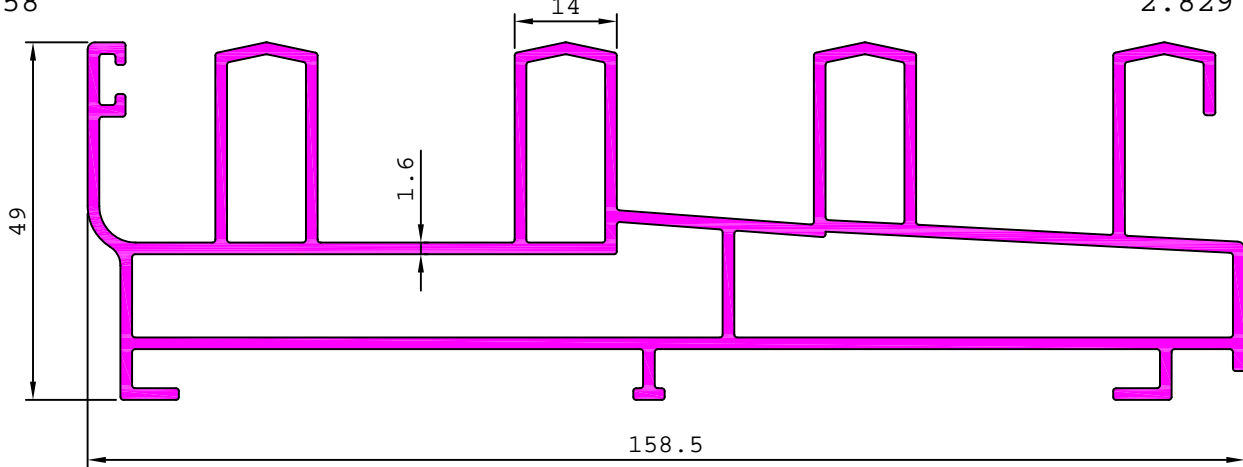
3.582 kg/m



WINDOW SECTIONS (DELUXE SERIES)

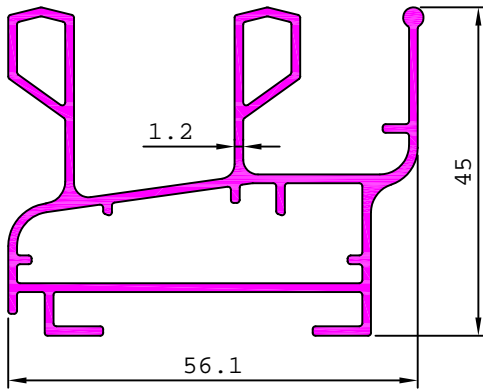
21558

2.829 kg/m



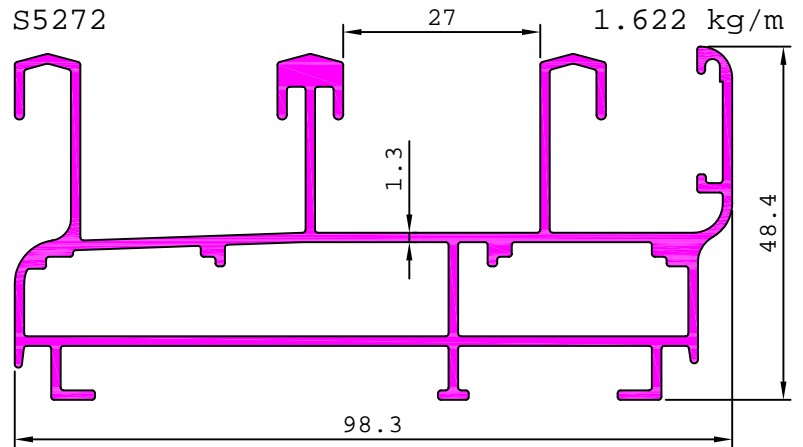
21534

0.972 kg/m



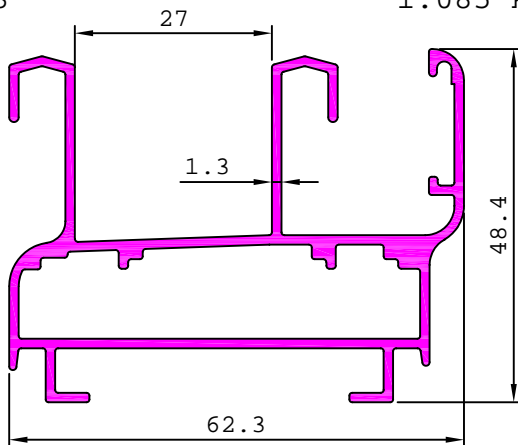
S5272

1.622 kg/m



S5273

1.085 kg/m



S5272