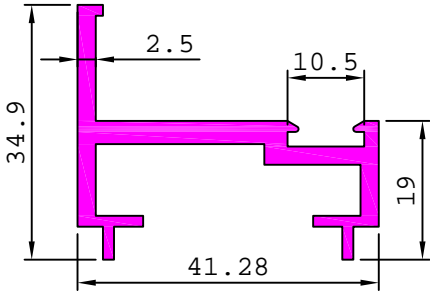


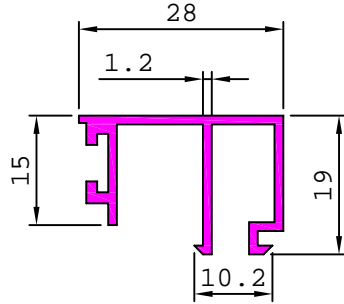
DETAILS OF CASEMENT WINDOW SECTIONS

SERIES - A

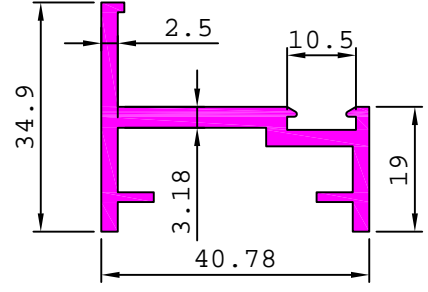
20628 0.714 kg/m



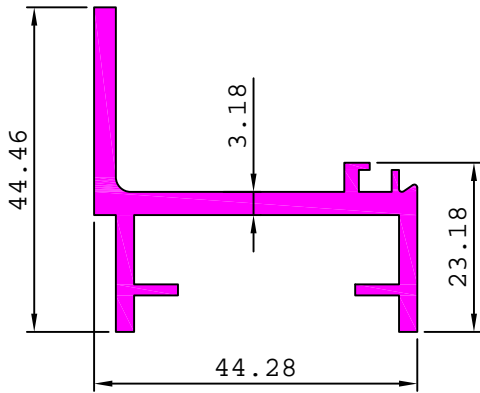
19359 0.301 kg/m



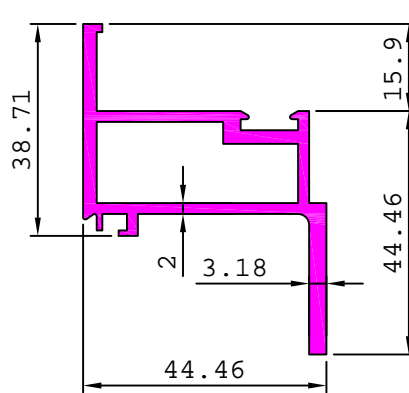
20629 0.711 kg/m



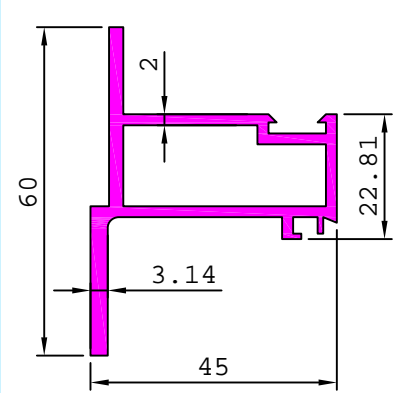
20630 0.889 kg/m



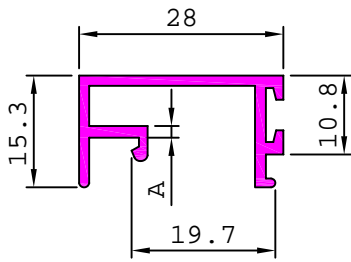
20641 1.072 kg/m



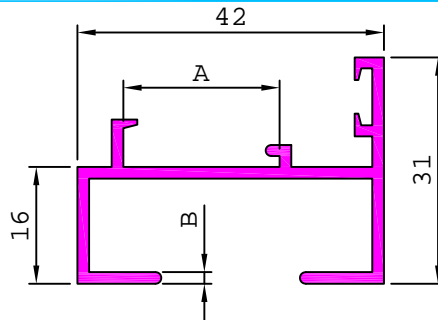
20727 1.053 kg/m



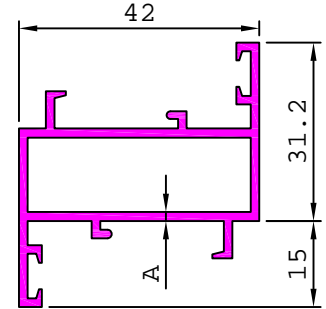
SERIES - B



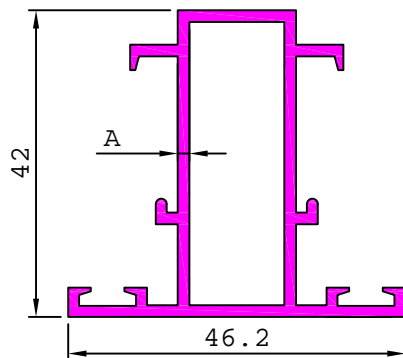
SL. No.	Section No.	A	Weight kg/m
1	19392	1.11	0.224
2	19391	1.60	0.289



SL. No.	Section No.	A	B	Weight kg/m
1	20942	22.10	1.25	0.434
2	20558	21.40	1.60	0.534



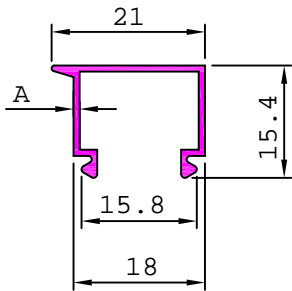
SL. No.	Section No.	A	Weight kg/m
1	20943	1.35	0.651
2	20559	1.50	0.724



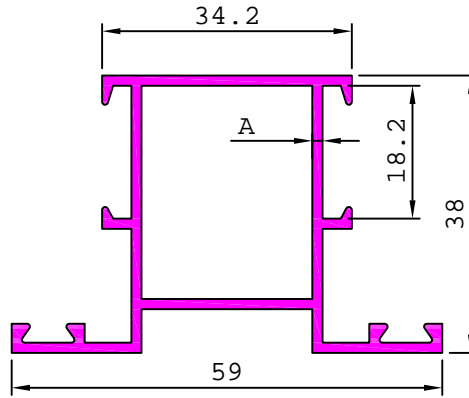
SL. No.	Section No.	A	Weight kg/m
1	20944	1.35	0.651
2	20560	1.60	0.758

DETAILS OF CASEMENT WINDOW SECTIONS

SERIES - C



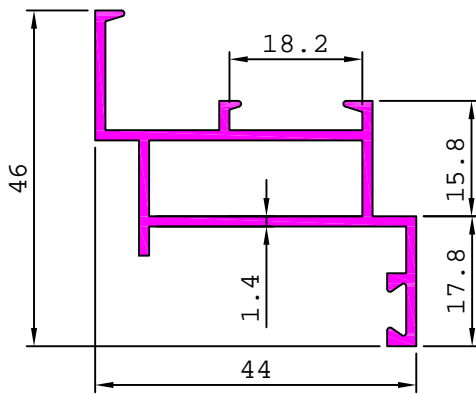
SL. No.	Section No.	A	Weight kg/m
1	19362	0.60	0.108
2	19369	0.85	0.137



SL. No.	Section No.	A	Weight kg/m
1	20720	1.40	0.729
2	21285	1.60	0.807

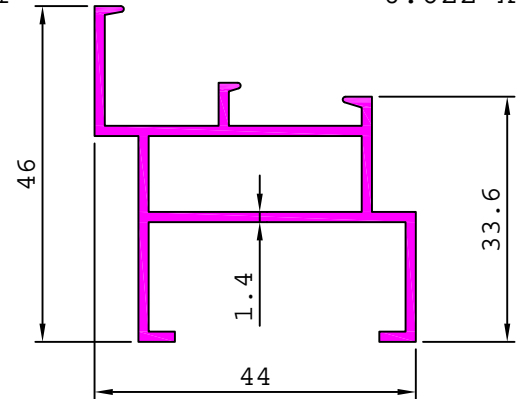
20719

0.575 kg/m



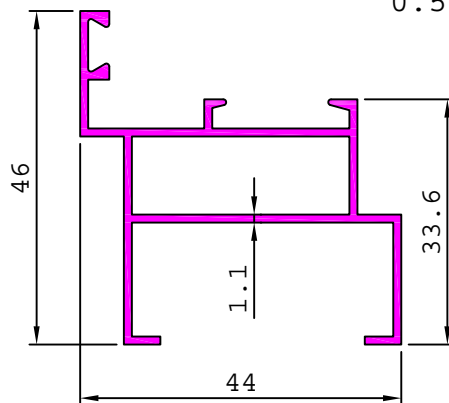
20721

0.622 kg/m



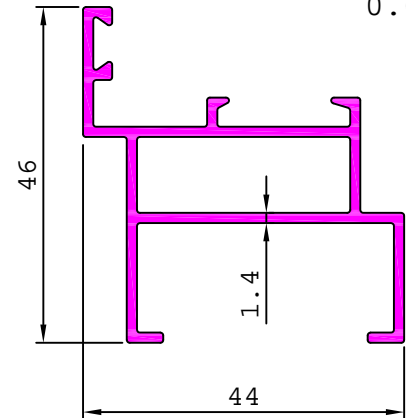
20903

0.522 kg/m



21286

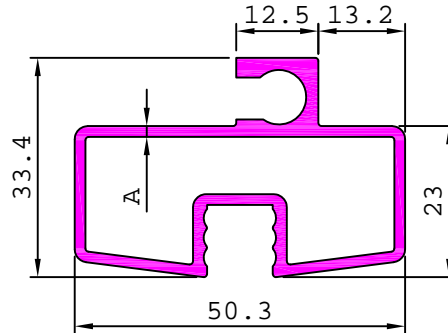
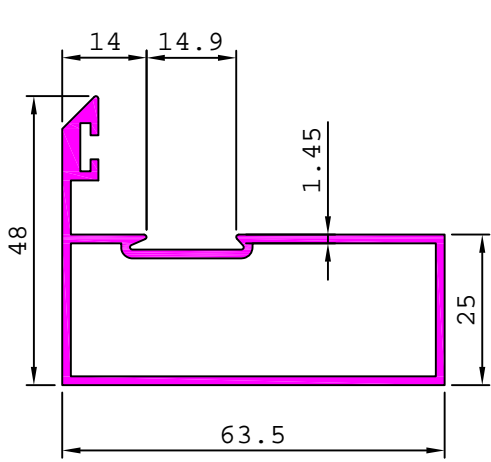
0.649 kg/m



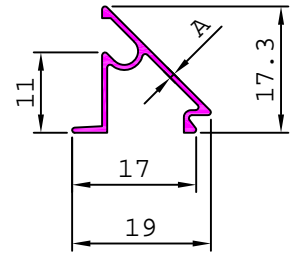
DETAILS OF CASEMENT WINDOW SECTIONS

SERIES - D

20824 0.870 kg/m

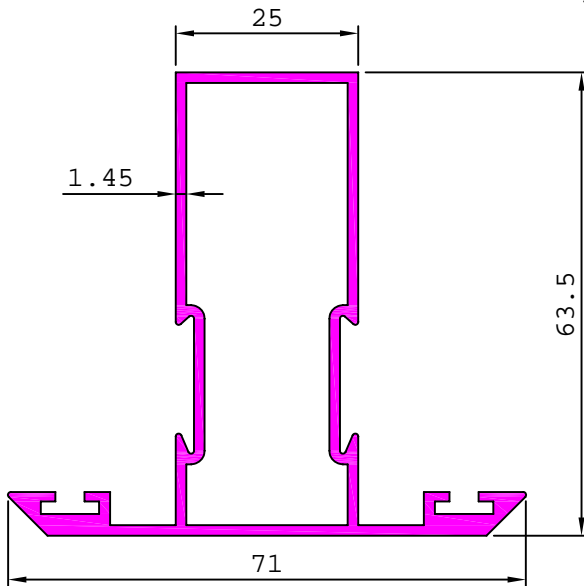


SL. No.	Section No.	A	Weight kg/m
1	20825	1.64	0.854
2	20642	2.00	0.997

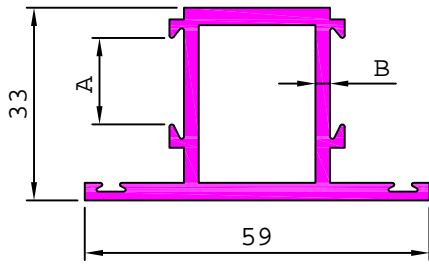


SL. No.	Section No.	A	Weight kg/m
1	19352	0.70	0.097
2	19370	0.80	0.109
3	19360	0.90	0.124

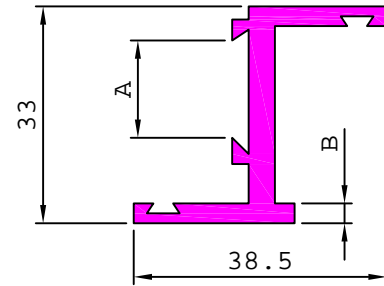
21310 1.071 kg/m



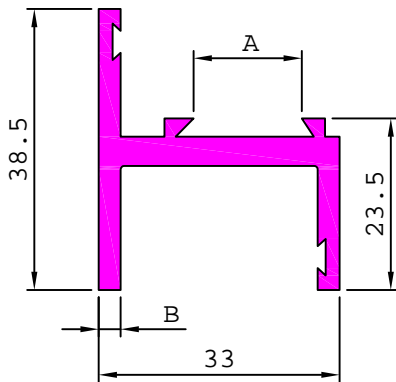
DETAILS OF CASEMENT WINDOW SECTIONS



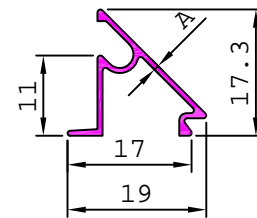
SL. No.	Section No.	A	B	Weight kg/m
1	20941	14.80	2.10	0.851
2	20510	14.82	2.50	1.123



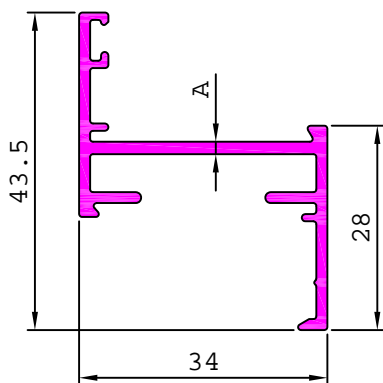
SL. No.	Section No.	A	B	Weight kg/m
1	20940	14.80	1.95	0.408
2	20509	14.82	3.00	0.663



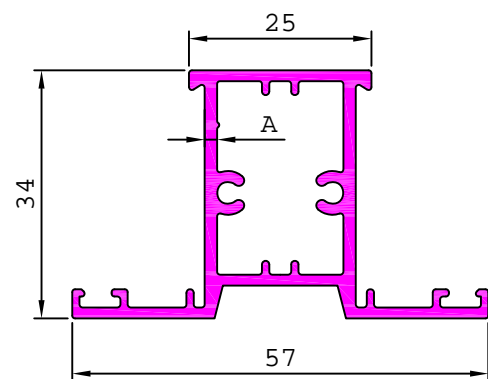
SL. No.	Section No.	A	B	Weight kg/m
1	20949	14.80	2.03	0.497
2	20948	14.80	2.56	0.606
3	20585	14.82	3.00	0.775



SL. No.	Section No.	A	Weight kg/m
1	19352	0.70	0.097
2	19370	0.80	0.109
3	19360	0.90	0.124

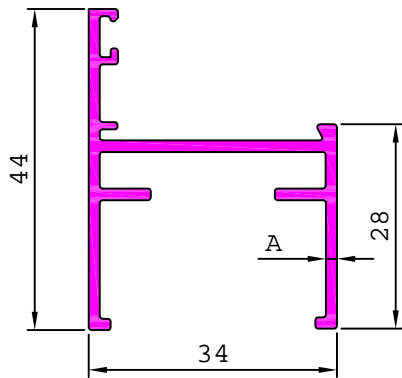


SL. No.	Section No.	A	Weight kg/m
1	20914	1.70	0.473
2	21095	2.00	0.548



SL. No.	Section No.	A	Weight kg/m
1	21140	1.40	0.701
2	20915	1.70	0.766
3	21097	2.00	0.924

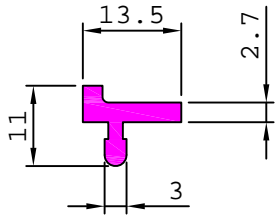
DETAILS OF CASEMENT WINDOW SECTIONS



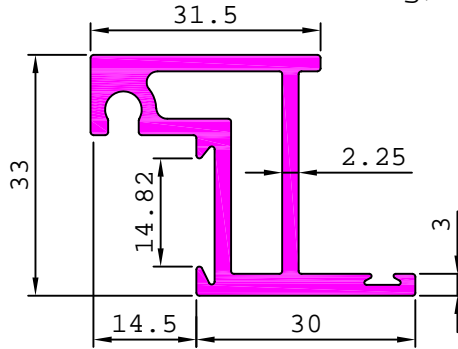
SL. No.	Section No.	A	Weight kg/m
1	21141	1.35	0.473
2	20913	1.50	0.527
3	21096	2.00	0.635

DETAILS OF CASEMENT WINDOW SECTIONS

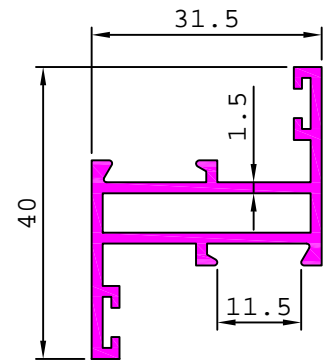
20511 0.155 kg/m



20512 0.914 kg/m

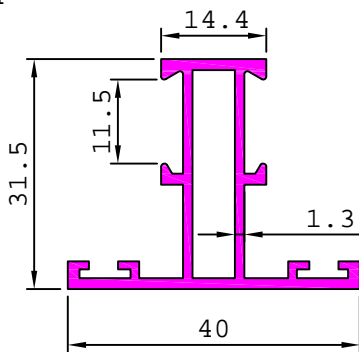


20533 0.549 kg/m



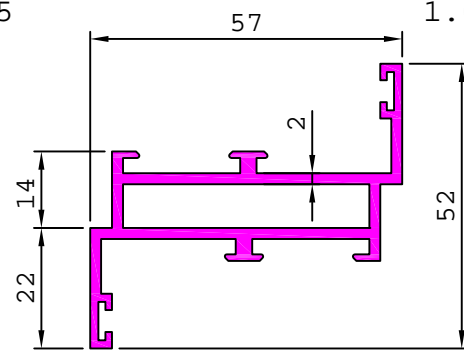
MATCHING SECTION 19389

20534 0.502 kg/m



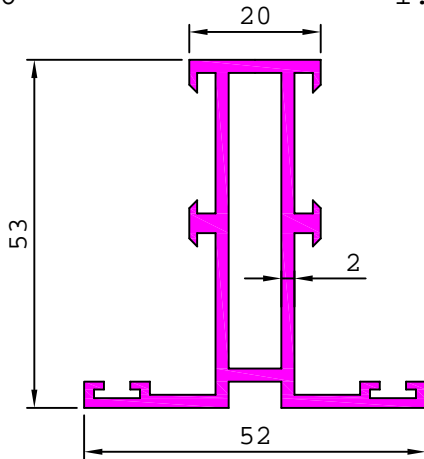
MATCHING SECTION 19389

20535 1.065 kg/m



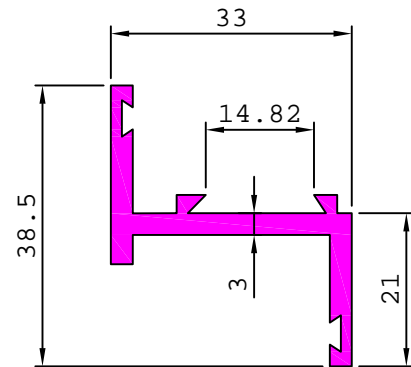
MATCHING SECTION 19390

20536 1.065 kg/m

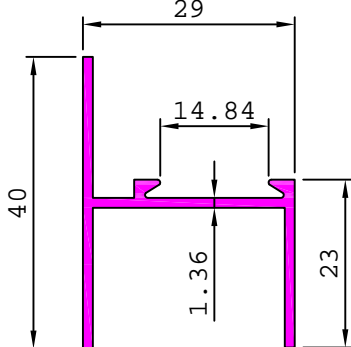


MATCHING SECTION 19390

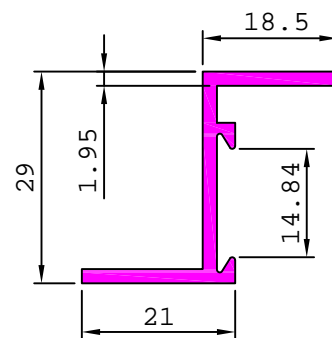
20640 0.590 kg/m



20653 0.354 kg/m



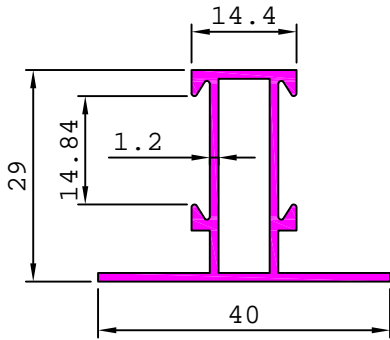
20654 0.364 kg/m



DETAILS OF CASEMENT WINDOW SECTIONS

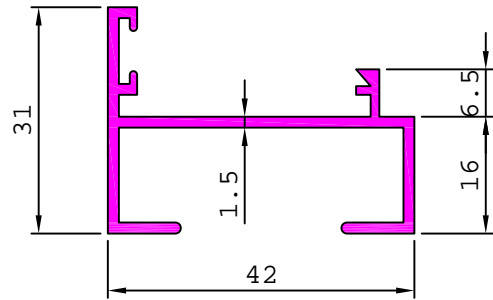
20658

0.367 kg/m



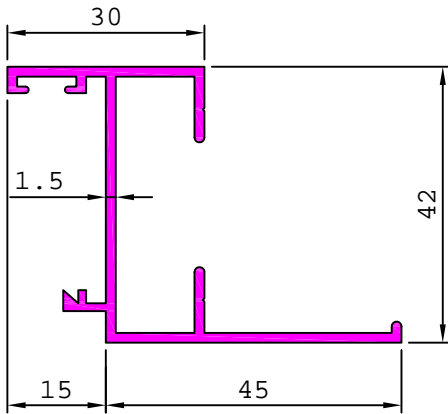
20759

0.483 kg/m



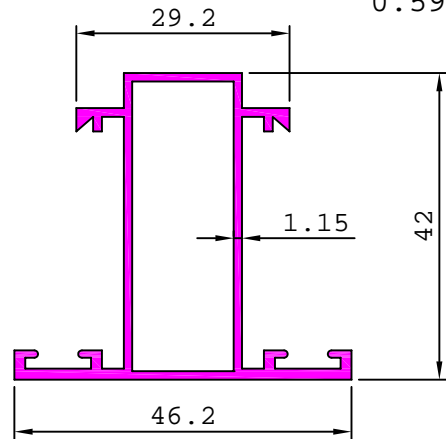
20760

0.610 kg/m



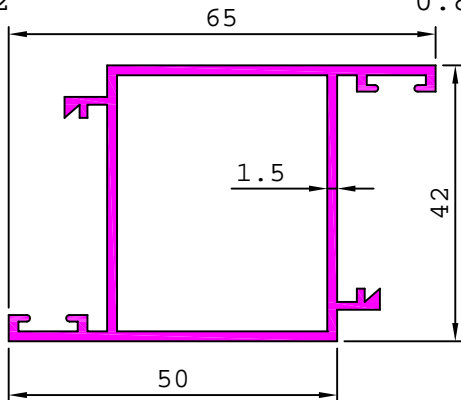
20761

0.591 kg/m



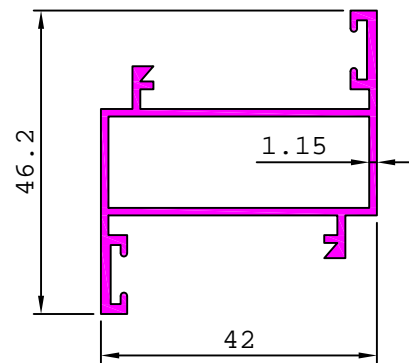
20762

0.848 kg/m



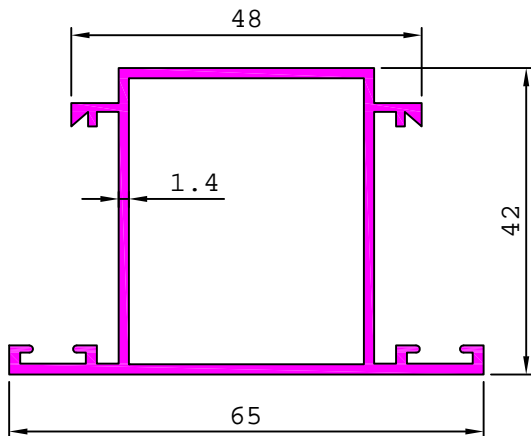
20763

0.591 kg/m



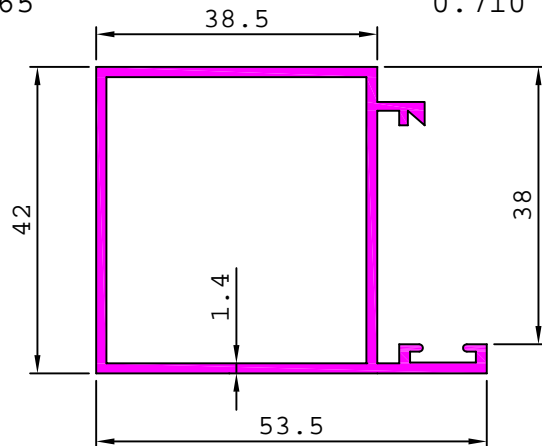
20764

0.805 kg/m



20765

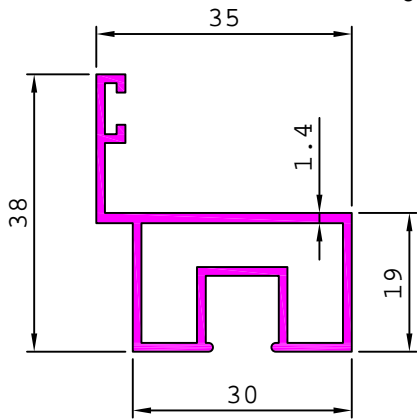
0.710 kg/m



DETAILS OF CASEMENT WINDOW SECTIONS

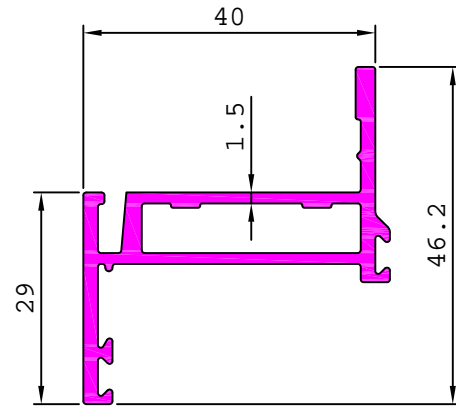
20863

0.497 kg/m



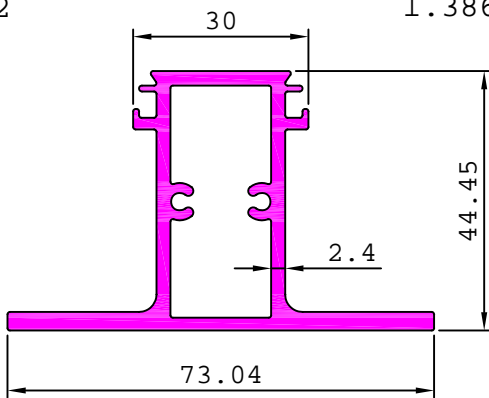
20899

0.715 kg/m



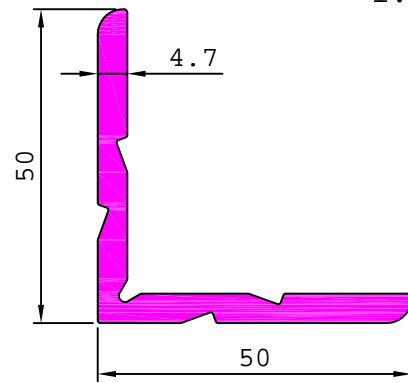
20902

1.386 kg/m



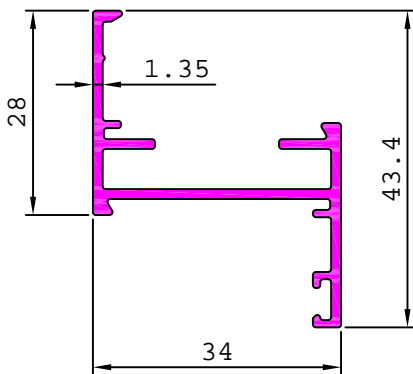
20909

1.123 kg/m



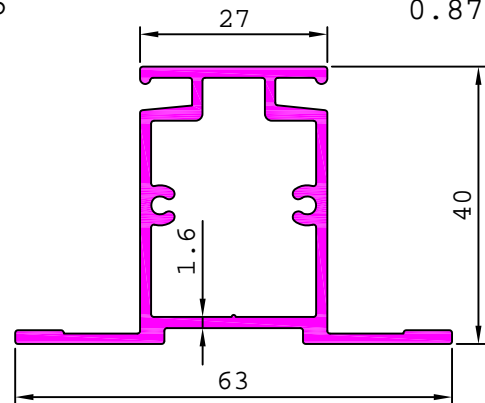
21142

0.425 kg/m



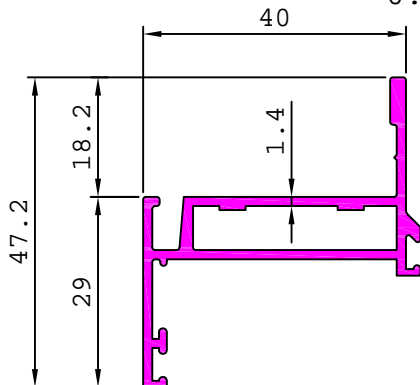
20916

0.877 kg/m



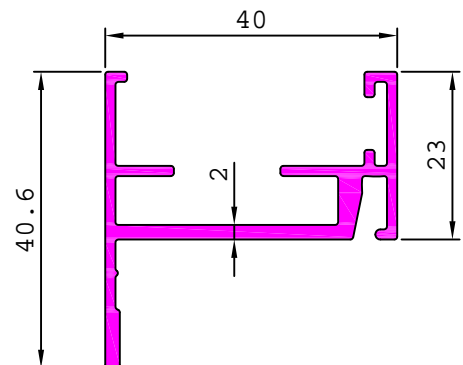
20918

0.606 kg/m

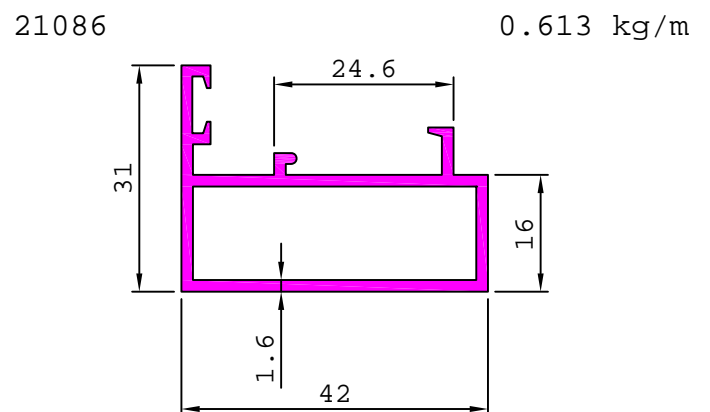
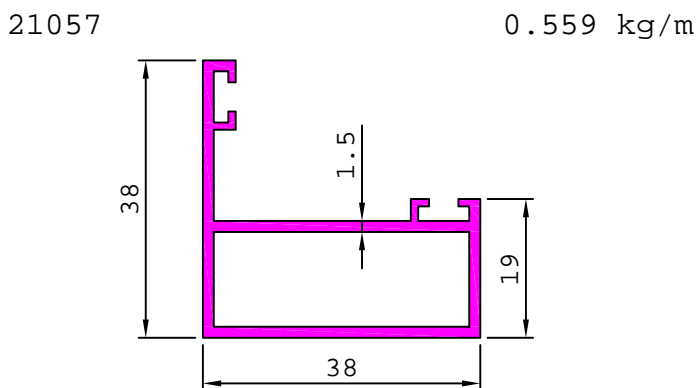
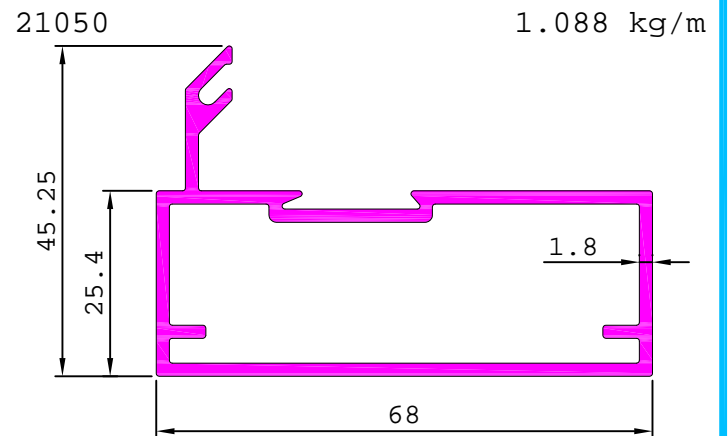
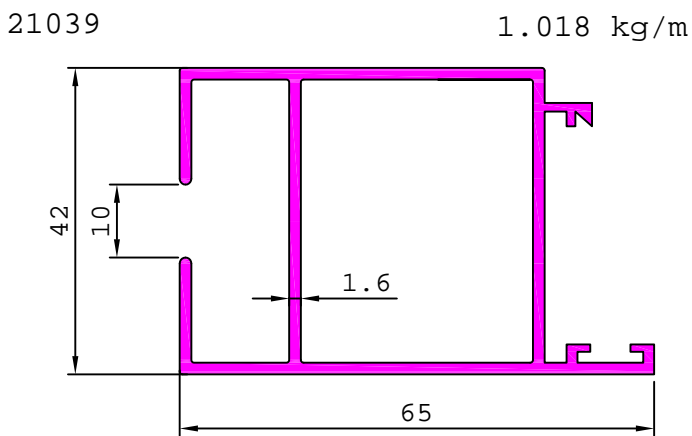
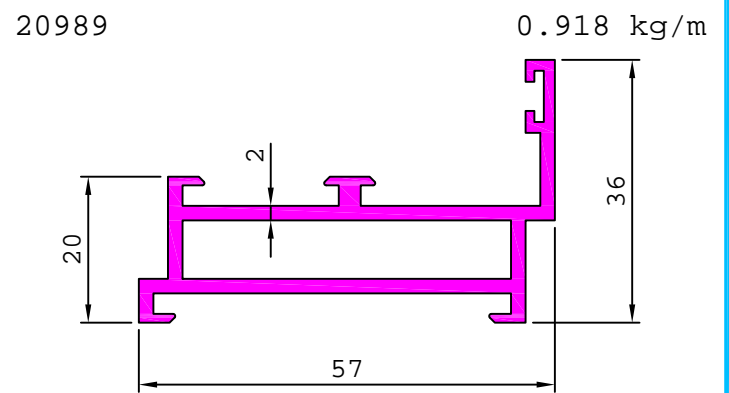
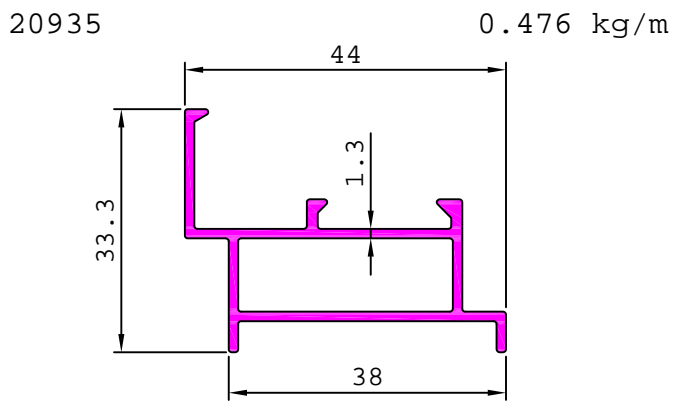
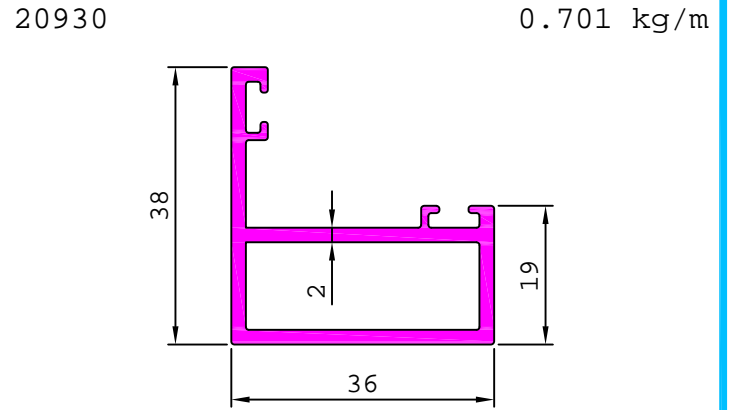
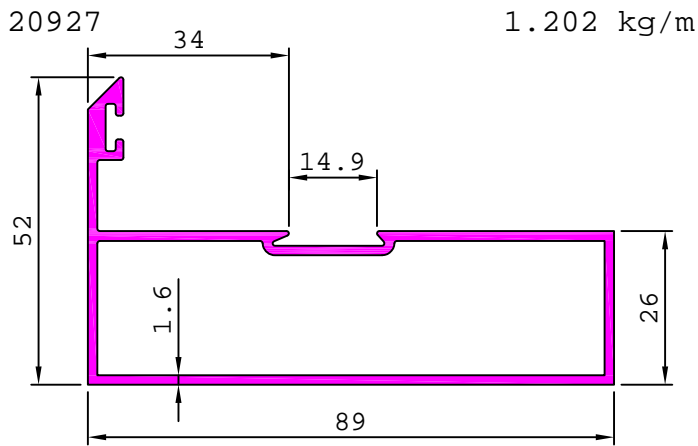


20919

0.607 kg/m



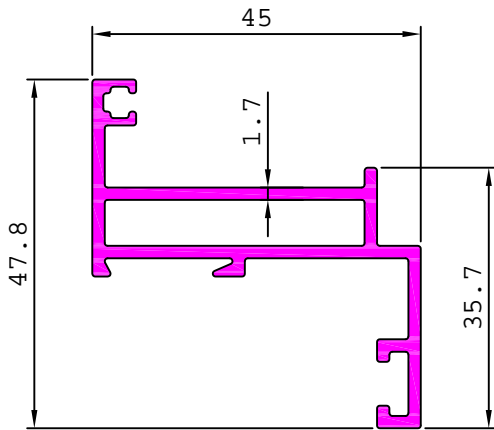
DETAILS OF CASEMENT WINDOW SECTIONS



DETAILS OF CASEMENT WINDOW SECTIONS

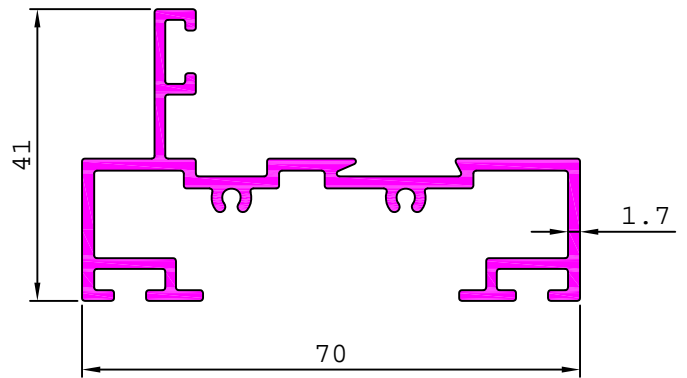
21104

0.748 kg/m



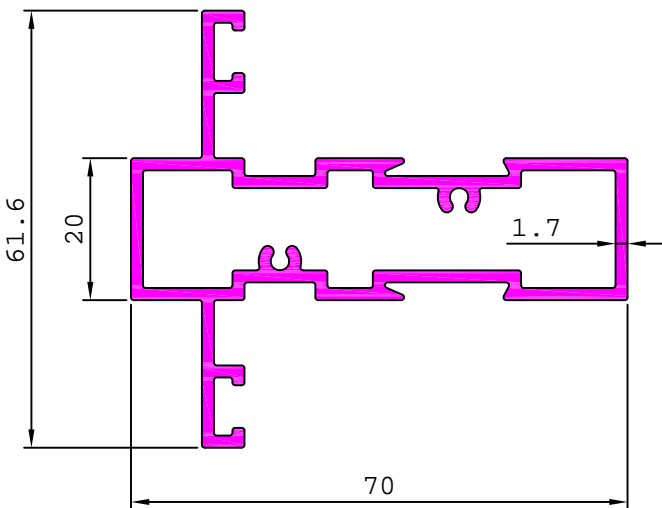
21105

0.940 kg/m



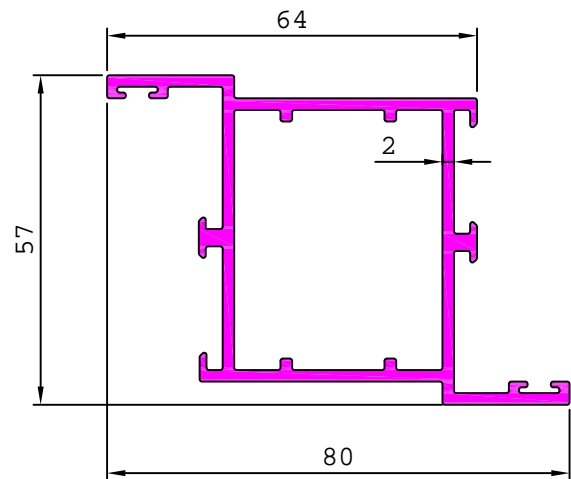
21106

1.265 kg/m



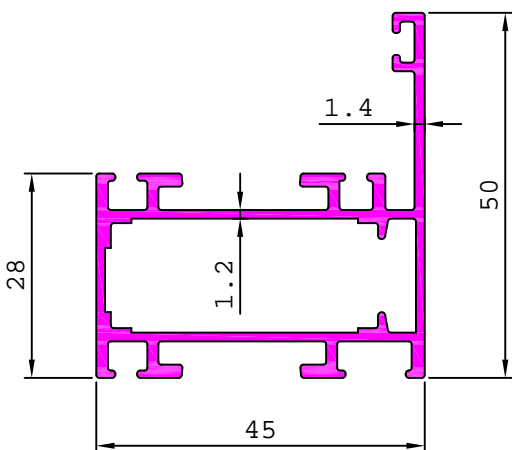
21119

1.426 kg/m



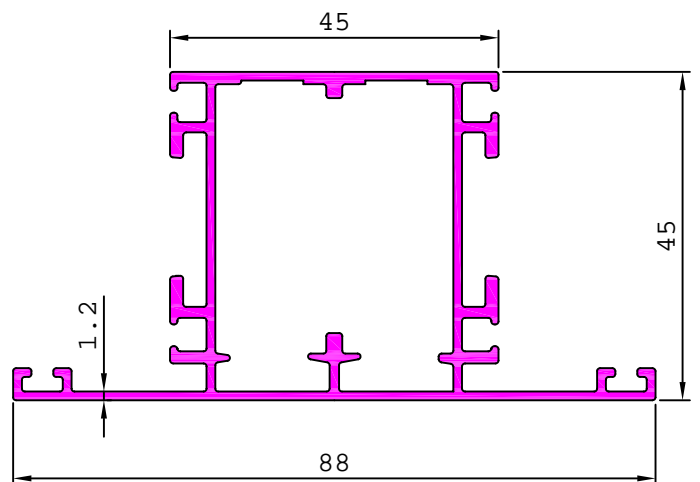
21160

0.833 kg/m



21161

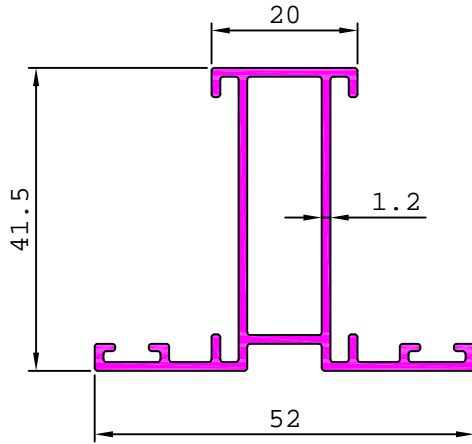
1.083 kg/m



DETAILS OF CASEMENT WINDOW SECTIONS

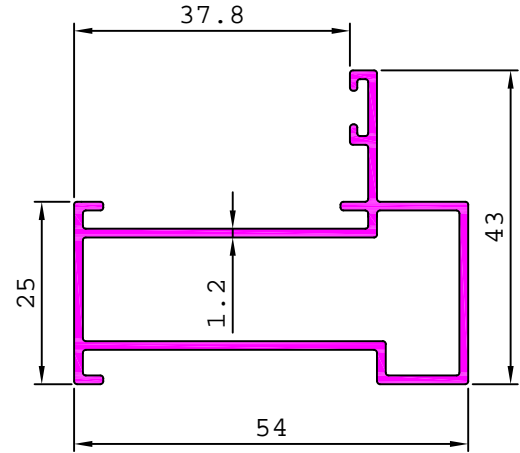
21177

0.579 kg/m



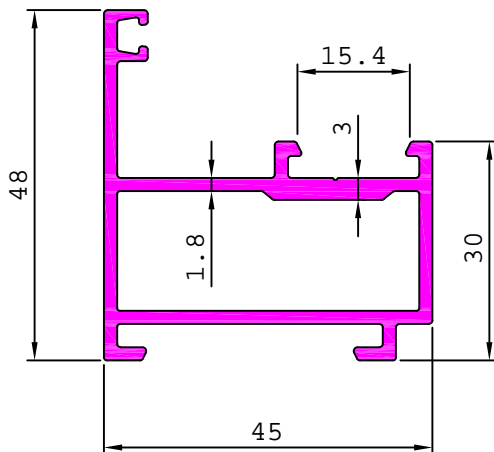
21178

0.637 kg/m



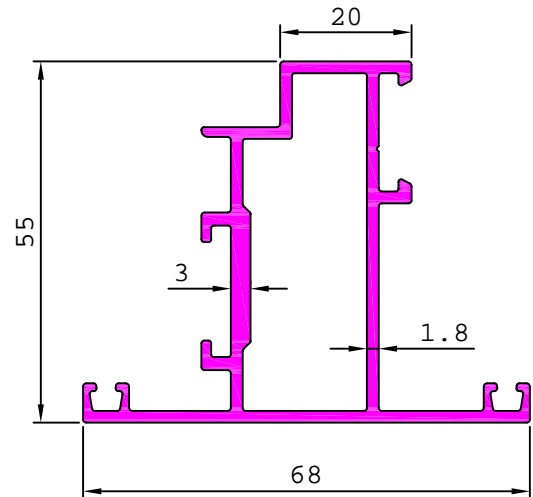
21185

0.945 kg/m



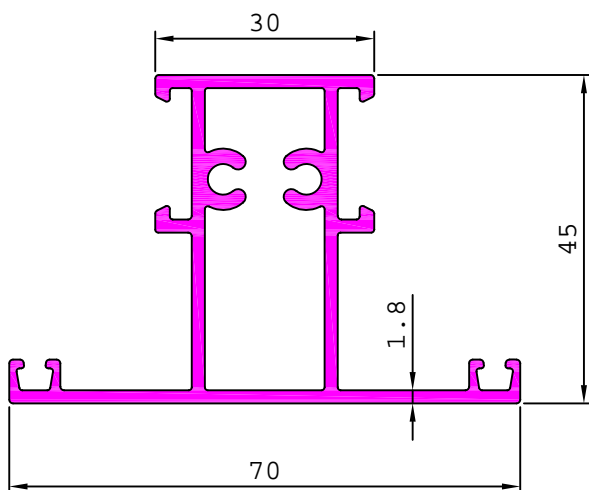
21186

1.223 kg/m



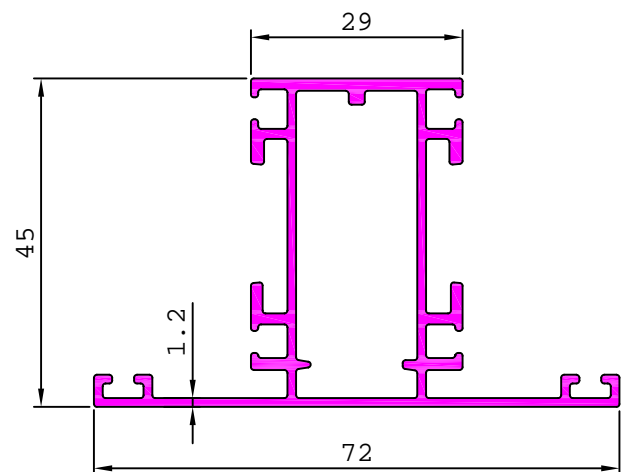
21187

1.208 kg/m



21214

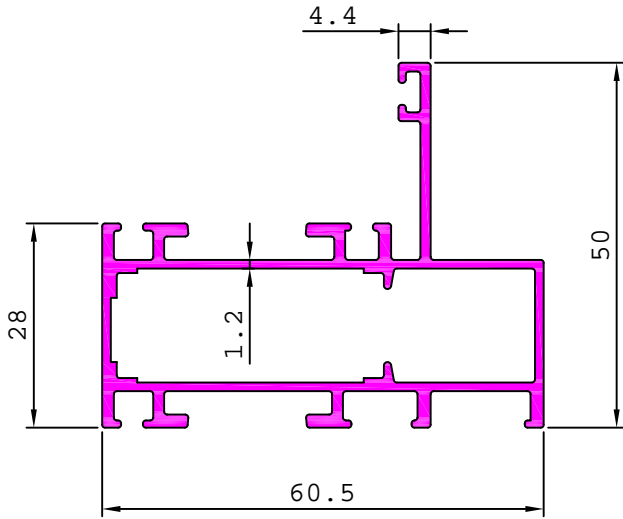
0.930 kg/m



DETAILS OF CASEMENT WINDOW SECTIONS

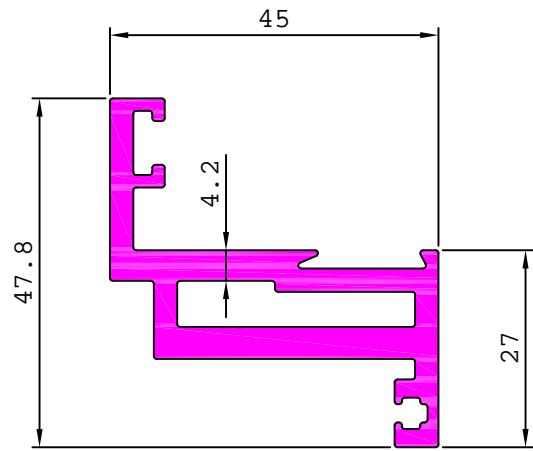
21215

0.959 kg/m



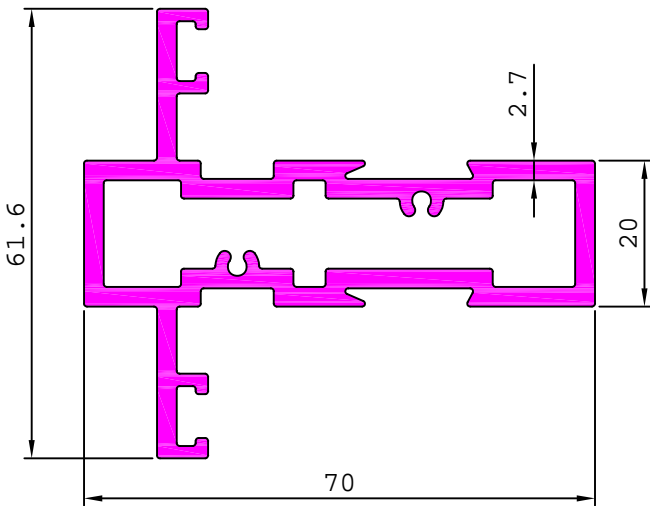
21226

1.418 kg/m



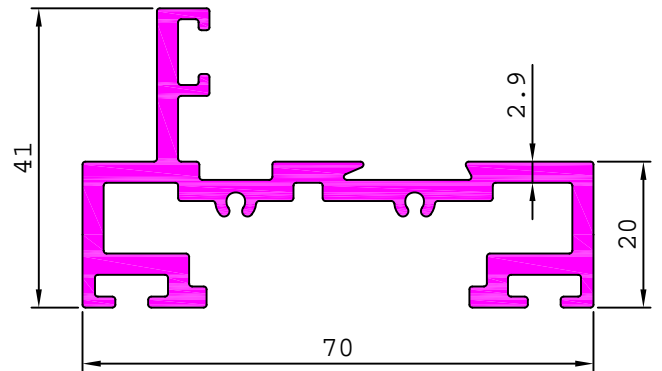
21227

1.843 kg/m



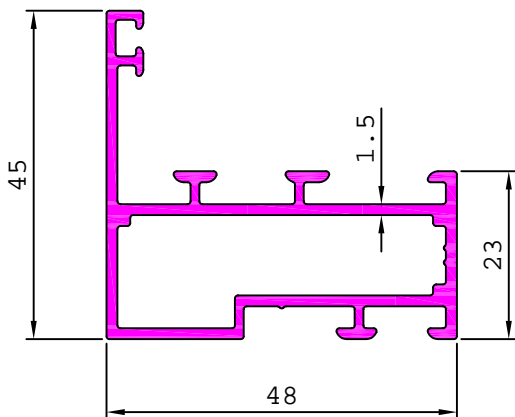
21228

1.445 kg/m



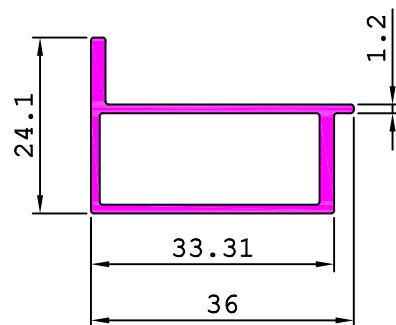
21230

0.820 kg/m

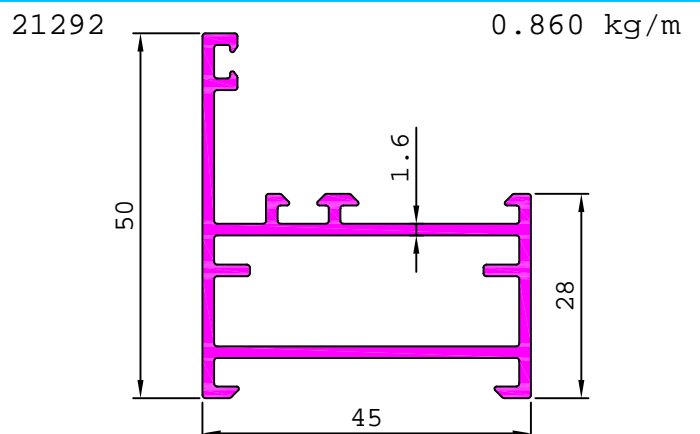
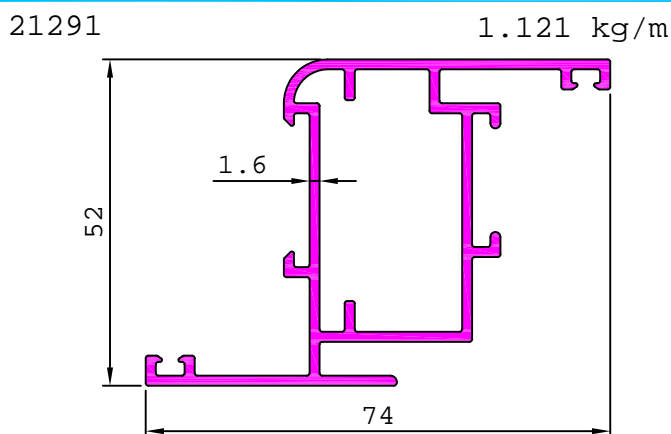
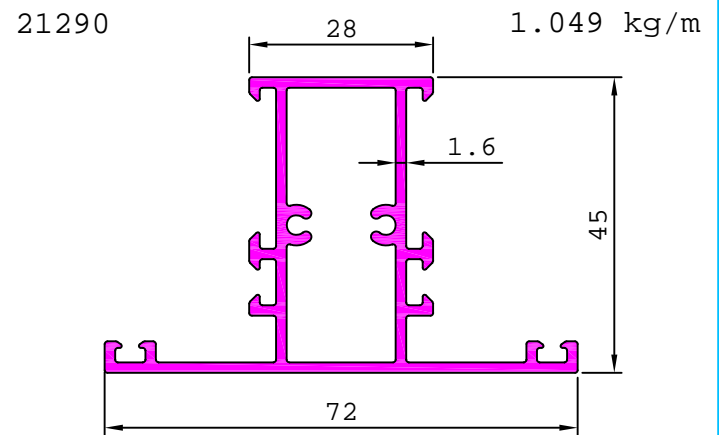
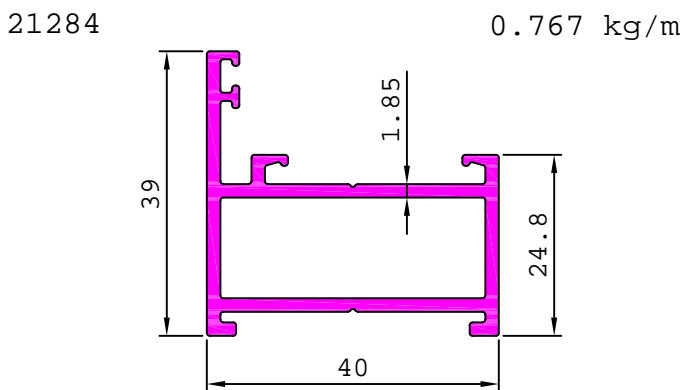
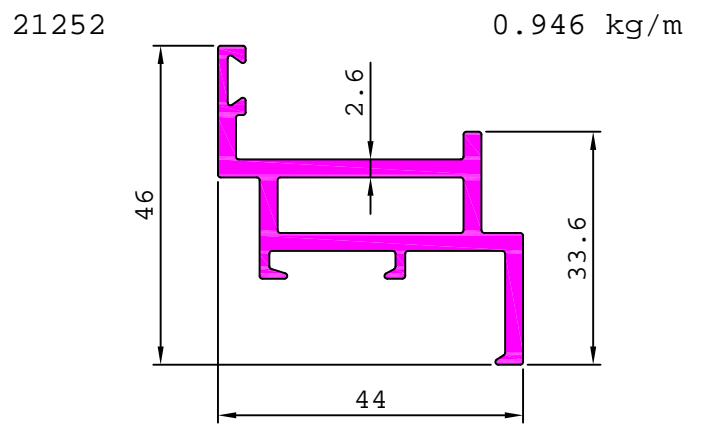
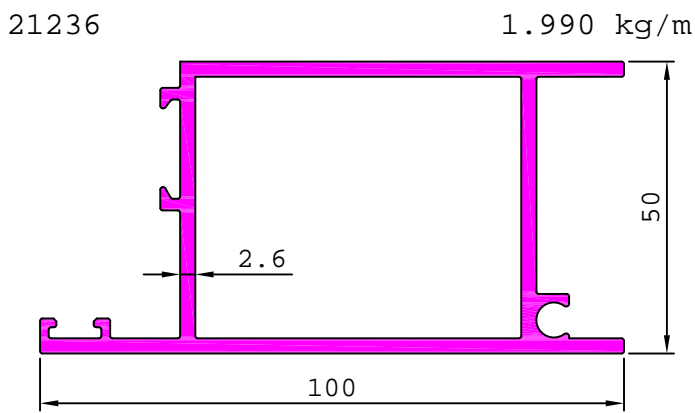
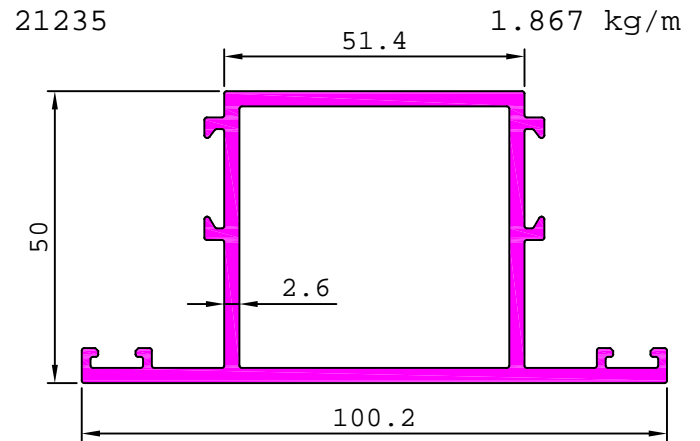
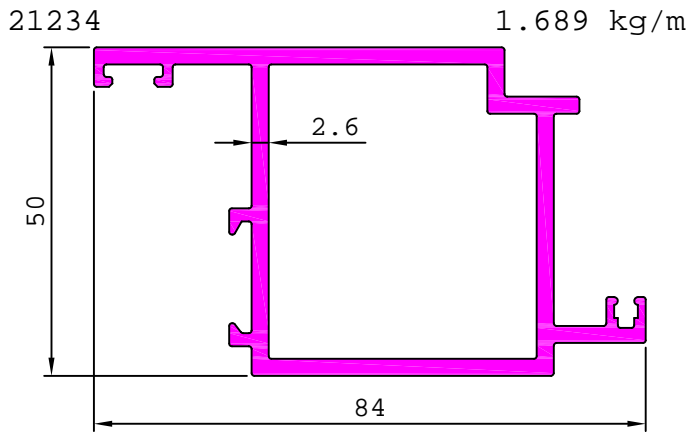


21231

0.382 kg/m



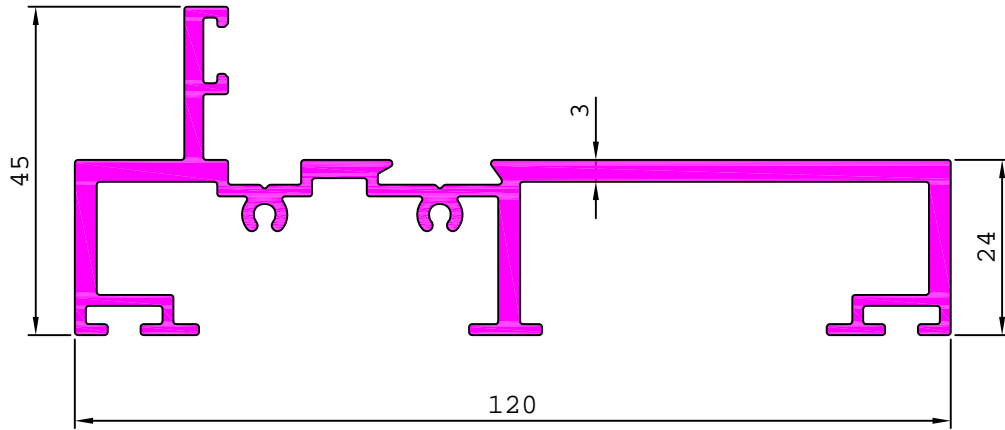
DETAILS OF CASEMENT WINDOW SECTIONS



DETAILS OF CASEMENT WINDOW SECTIONS

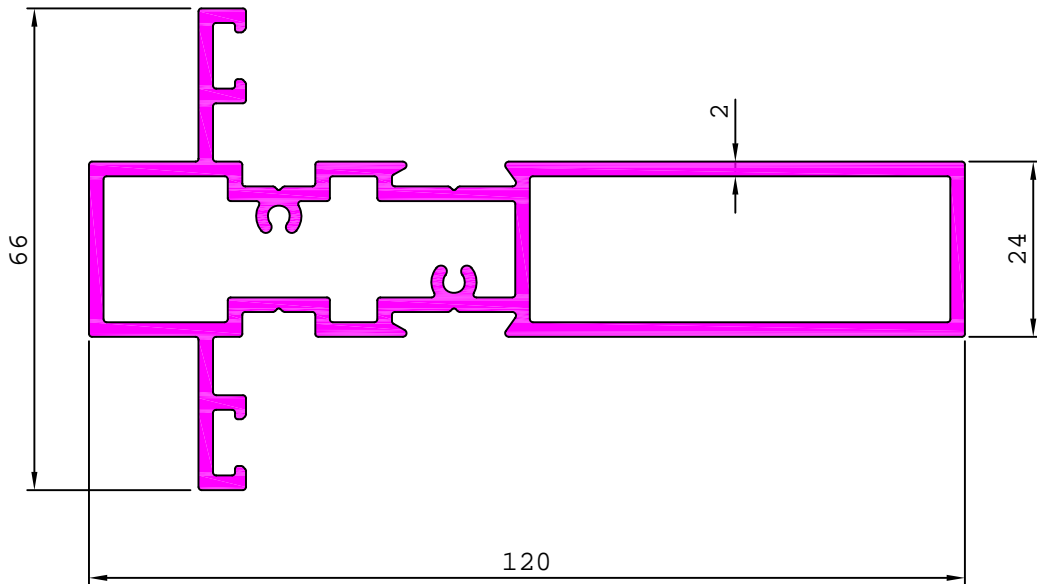
21274

1.873 kg/m



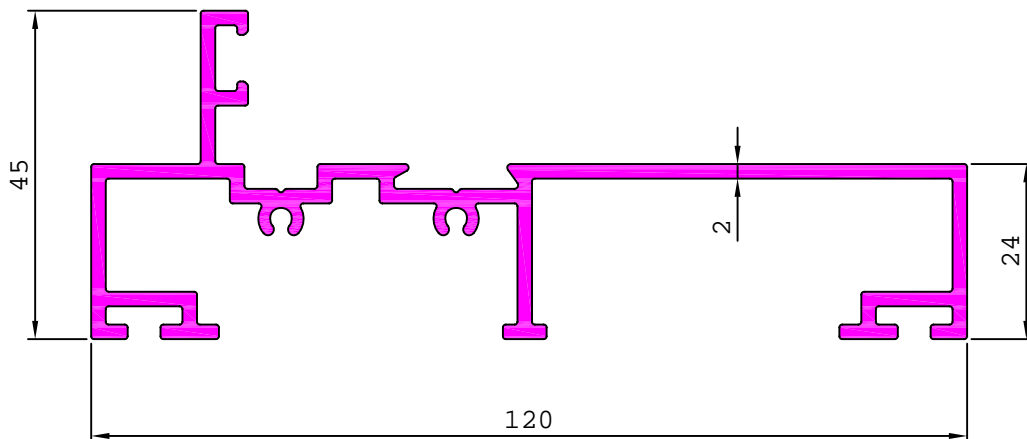
21279

2.182 kg/m



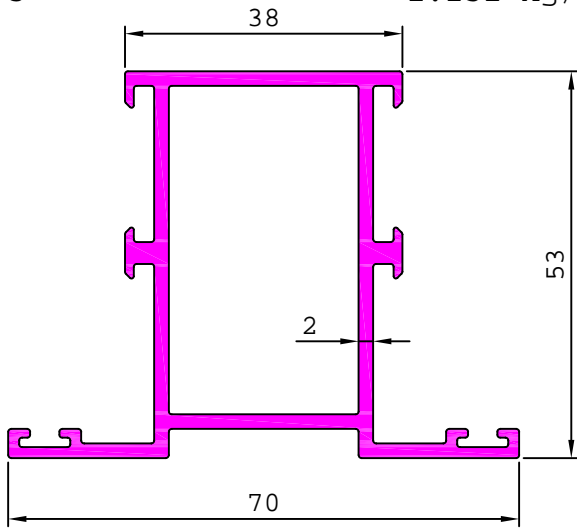
21280

1.630 kg/m

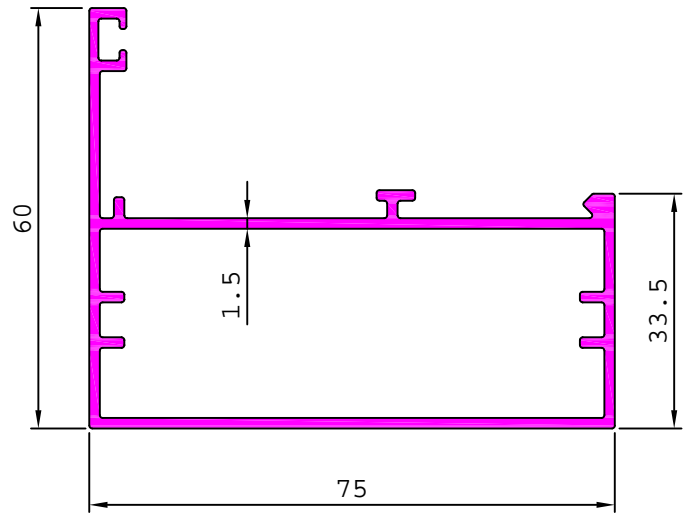


DETAILS OF CASEMENT WINDOW SECTIONS

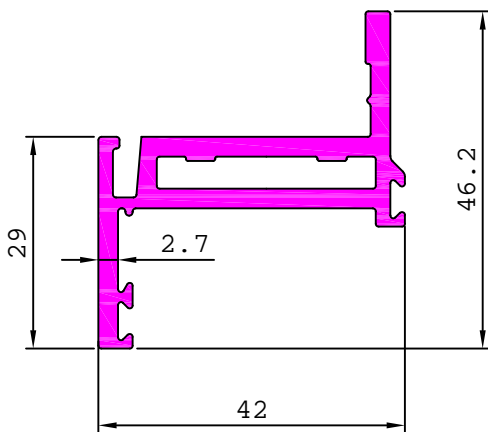
21293 1.251 kg/m



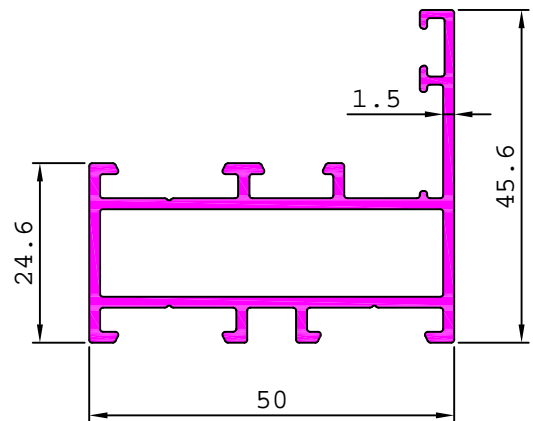
21295 1.121 kg/m



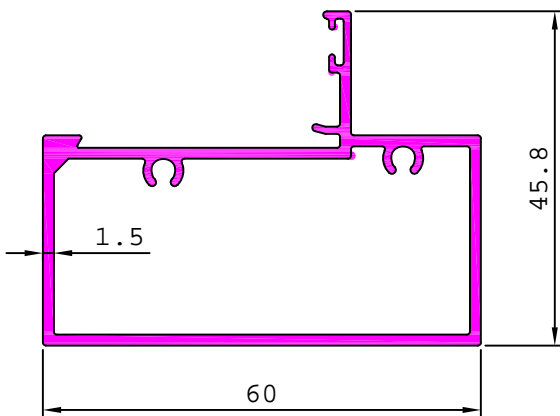
21313 0.978 kg/m



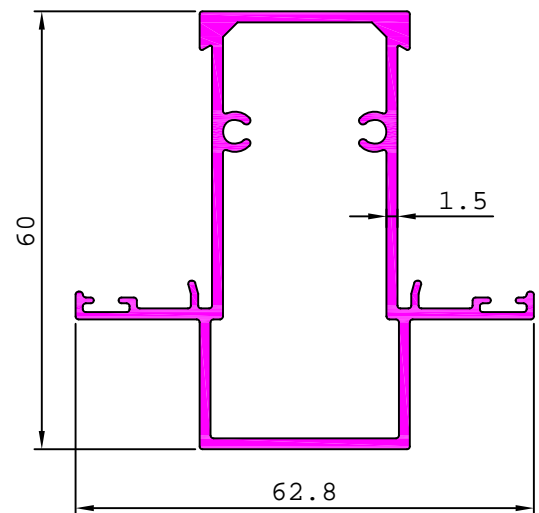
21314 0.834 kg/m



21322 0.860 kg/m



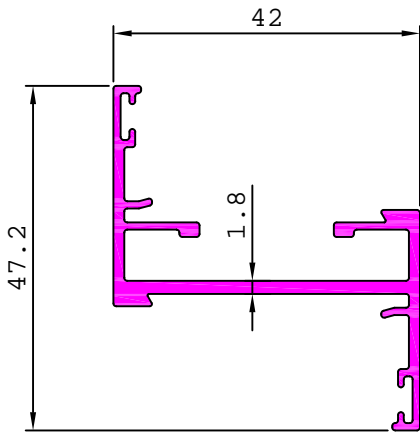
21323 0.976 kg/m



DETAILS OF CASEMENT WINDOW SECTIONS

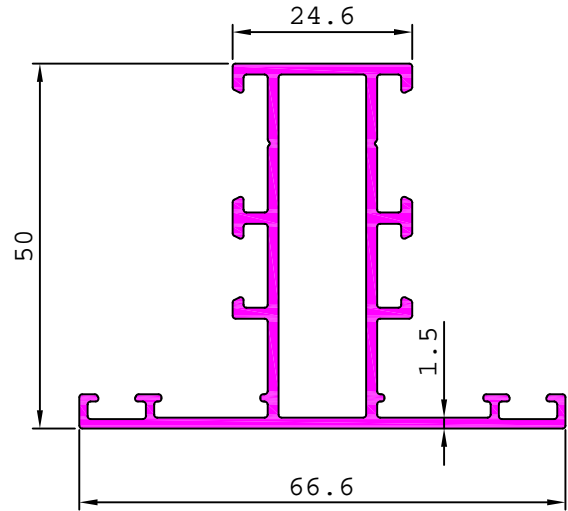
21324

0.573 kg/m



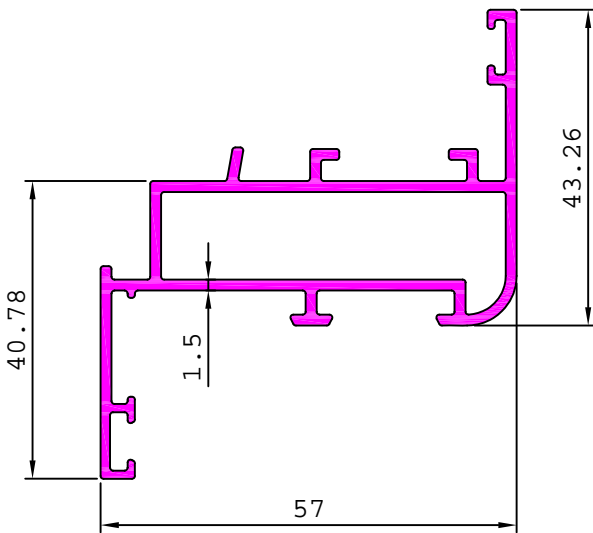
21352

0.946 kg/m



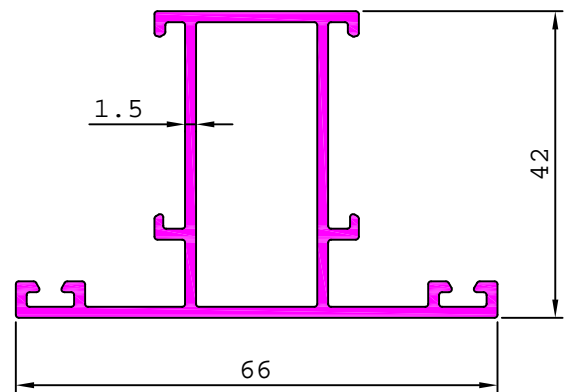
21353

0.940 kg/m



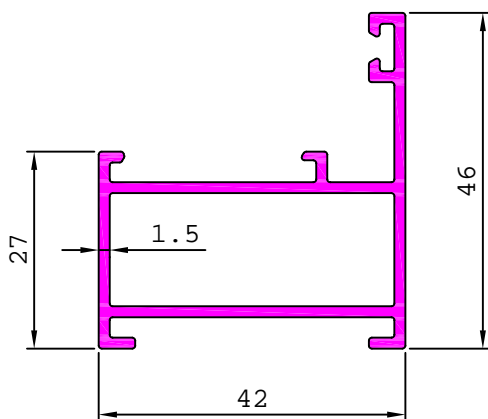
21336

0.841 kg/m



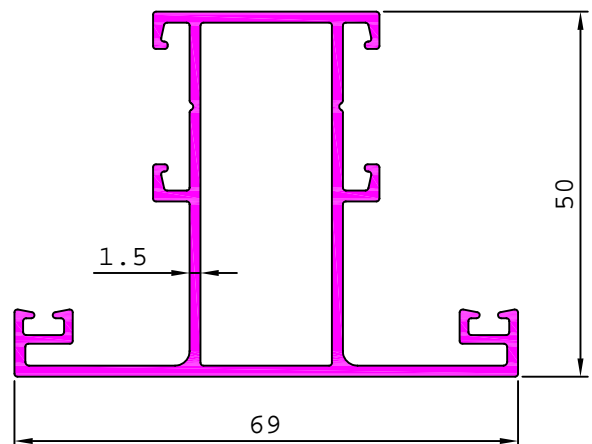
21337

0.712 kg/m

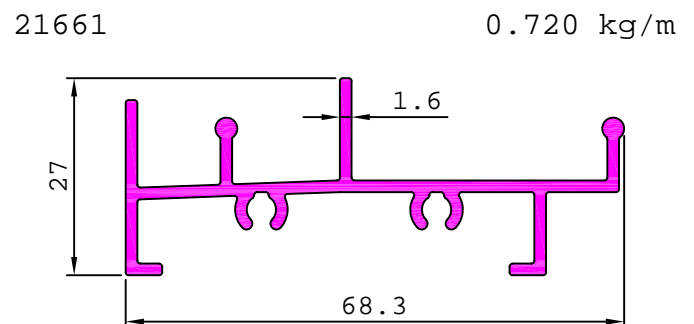
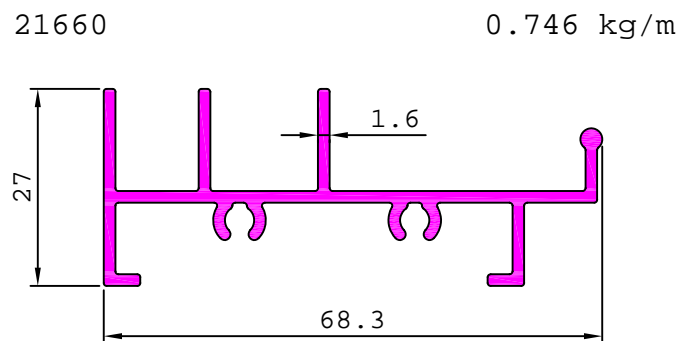
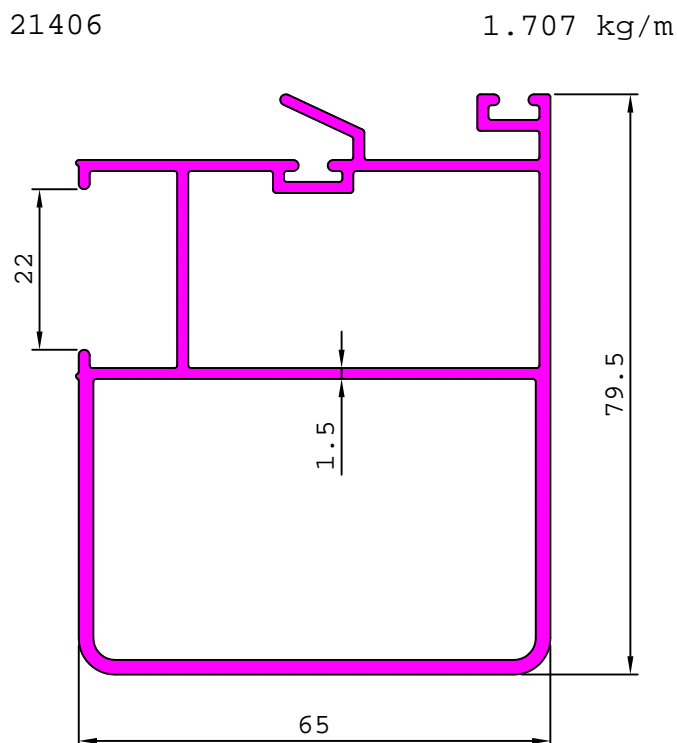
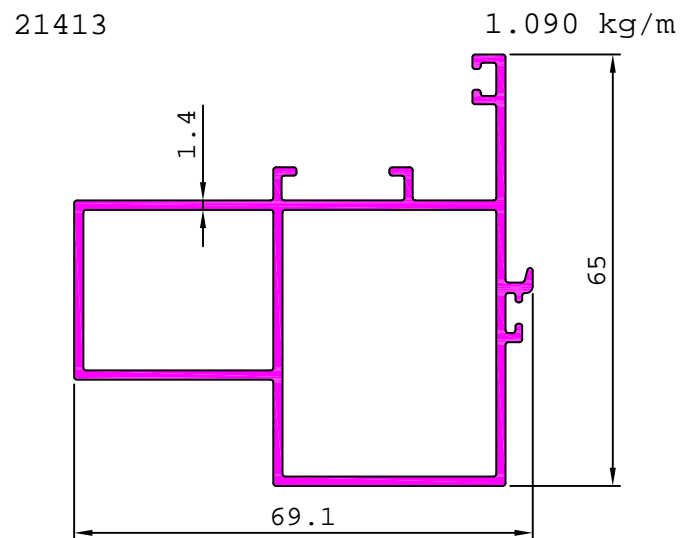
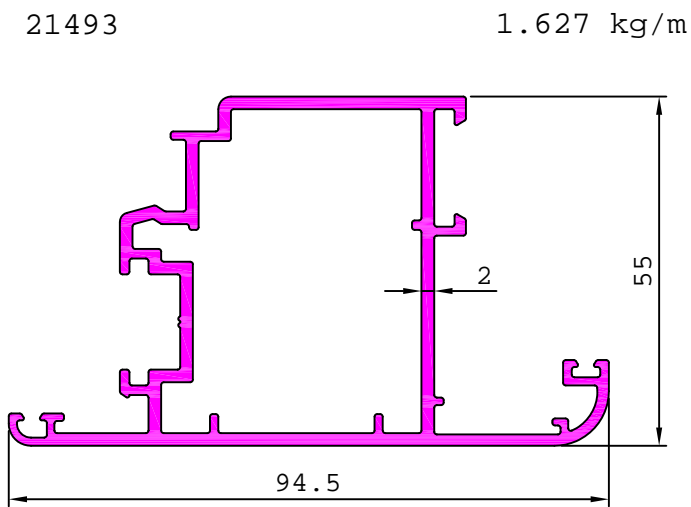
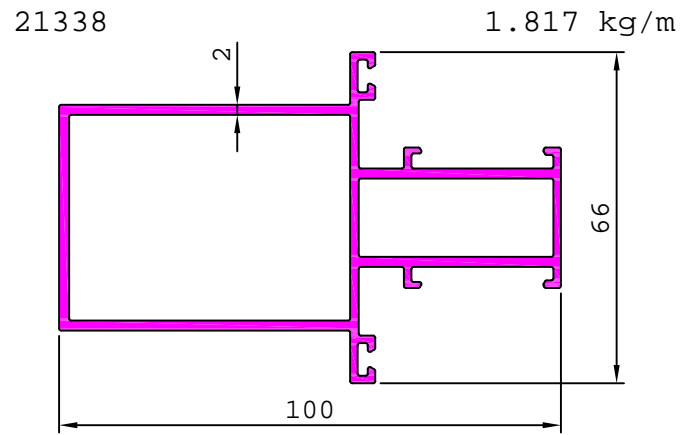
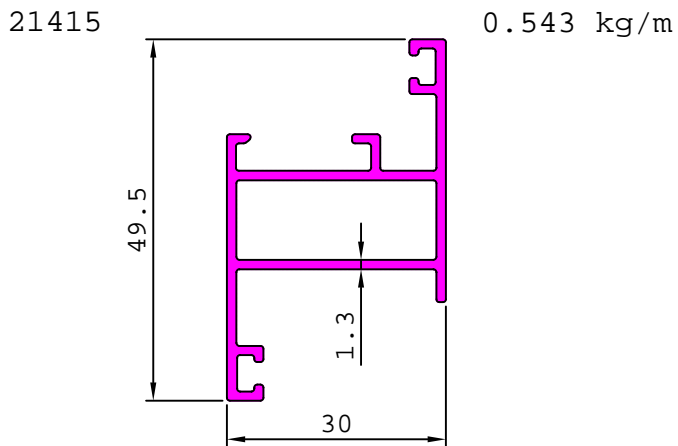


21400

1.023 kg/m

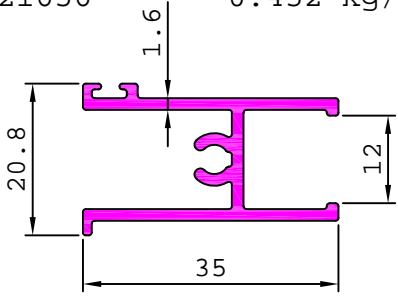


DETAILS OF CASEMENT WINDOW SECTIONS

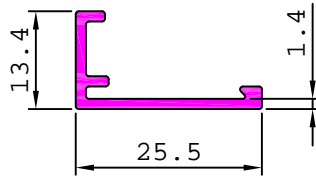


DETAILS OF CASEMENT WINDOW SECTIONS

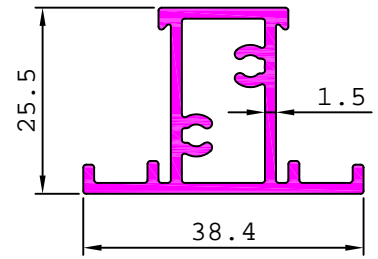
21656 0.452 kg/m



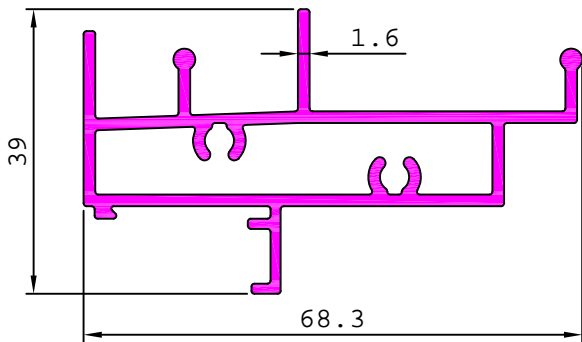
21657 0.185 kg/m



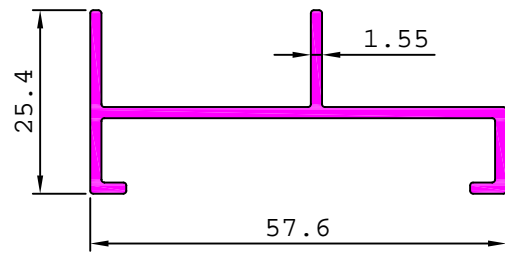
21663 0.543 kg/m



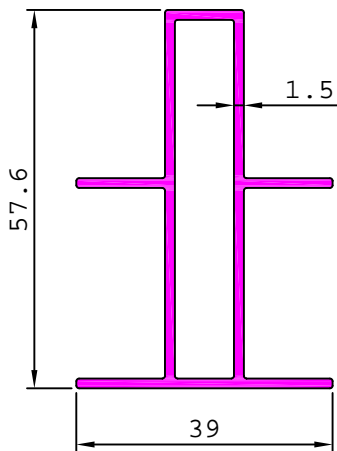
21662 0.991 kg/m



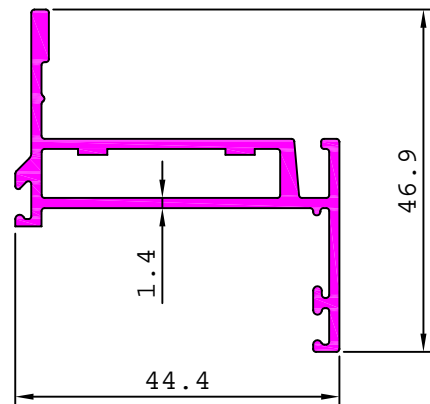
21659 0.470 kg/m



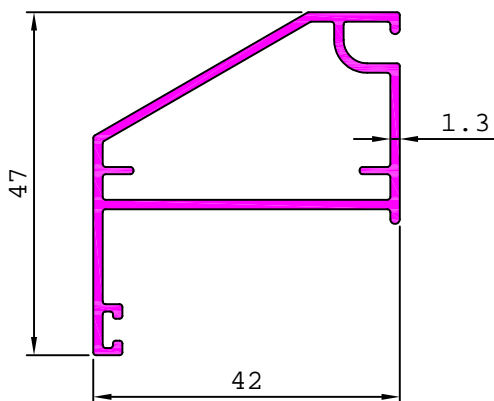
21665 0.758 kg/m



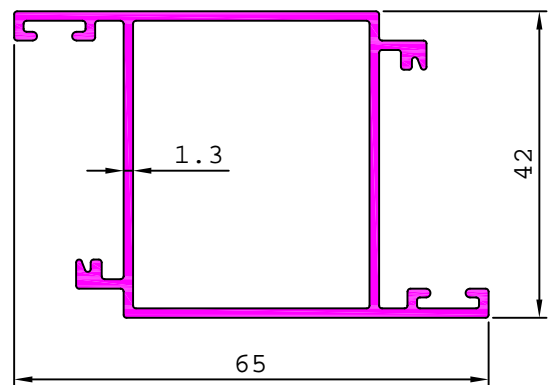
21666 0.653 kg/m



21667 0.569 kg/m



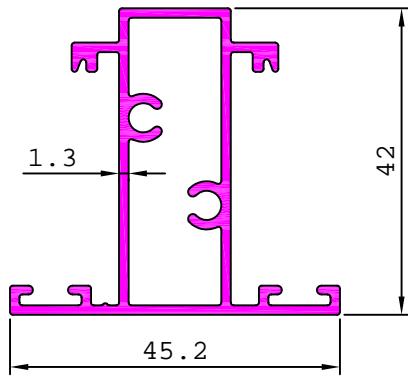
21577 0.776 kg/m



DETAILS OF CASEMENT WINDOW SECTIONS

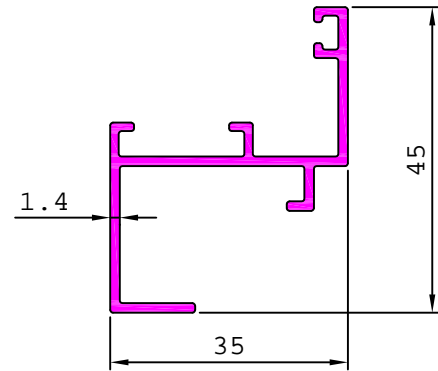
21579

0.709 kg/m



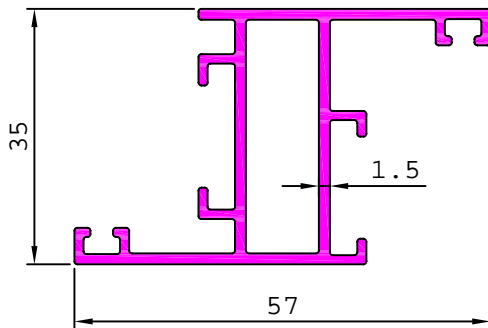
21536

0.453 kg/m



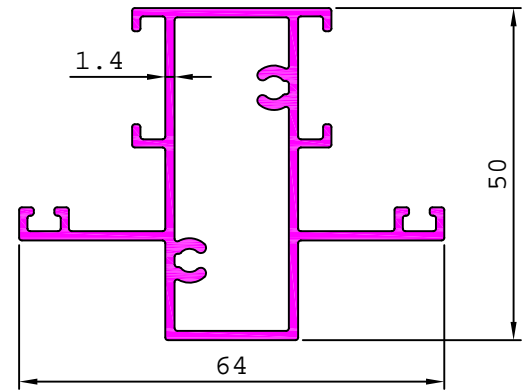
21537

0.725 kg/m



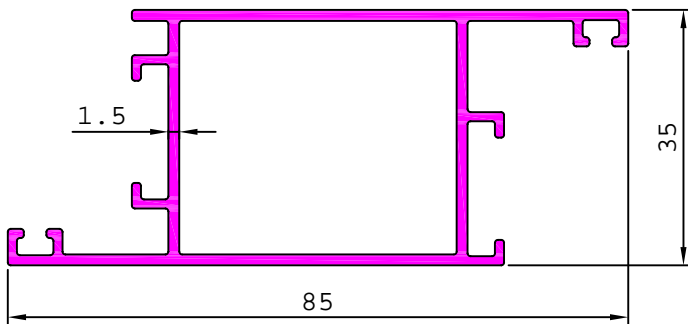
21560

0.921 kg/m



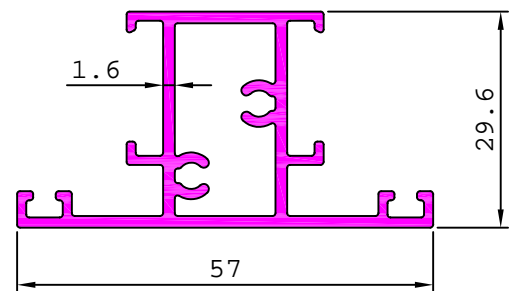
21538

0.945 kg/m



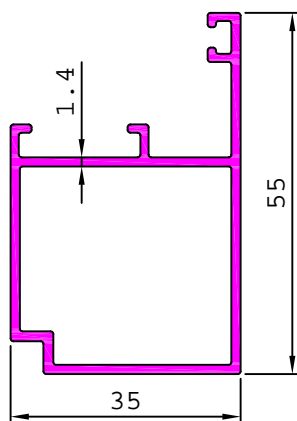
21541

0.768 kg/m



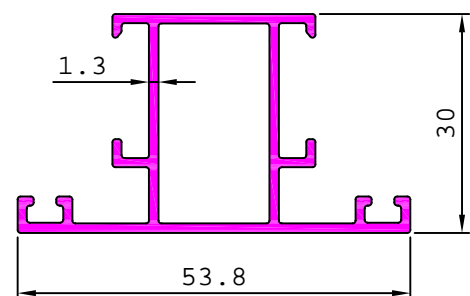
21523

0.656 kg/m



21530

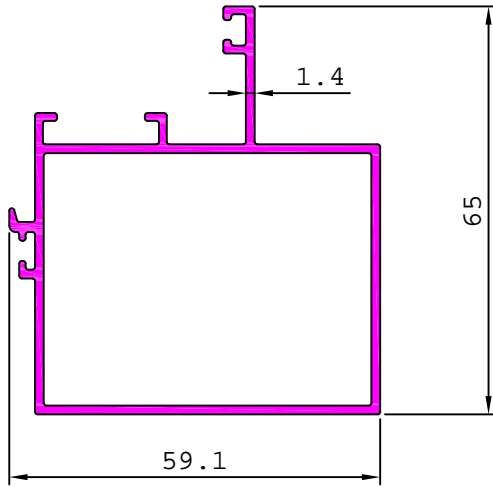
0.606 kg/m



DETAILS OF CASEMENT WINDOW SECTIONS

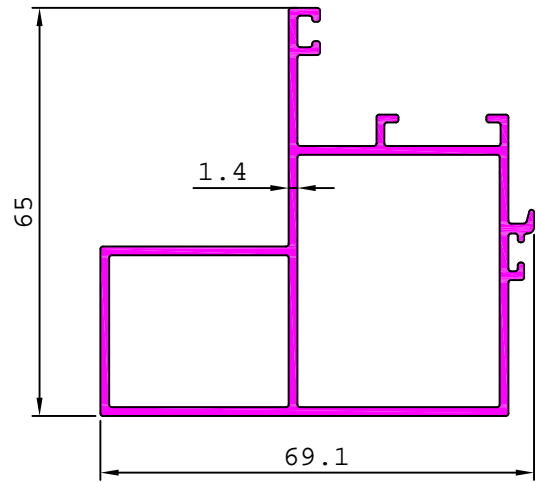
21524

0.923 kg/m



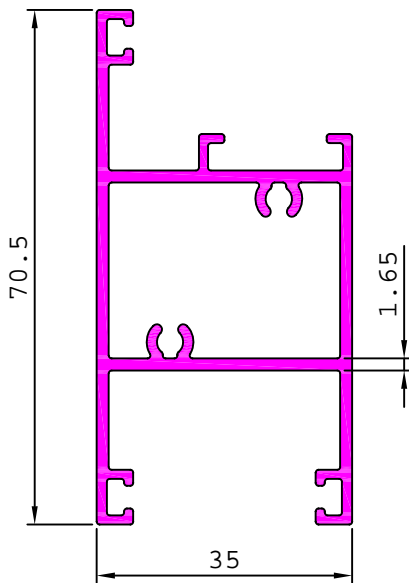
21544

1.090 kg/m



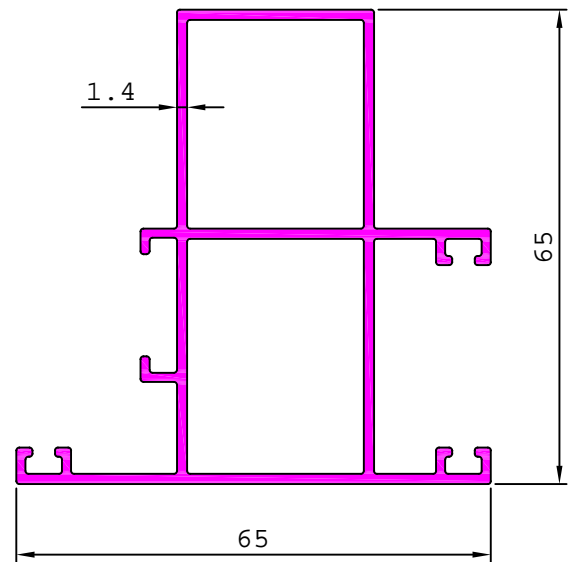
21690

1.015 kg/m



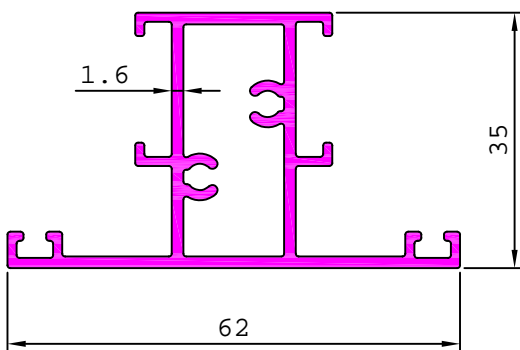
21561

1.111 kg/m



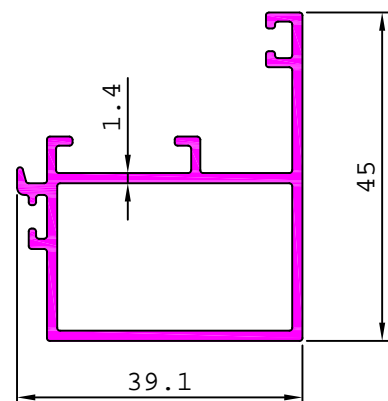
21547

0.839 kg/m



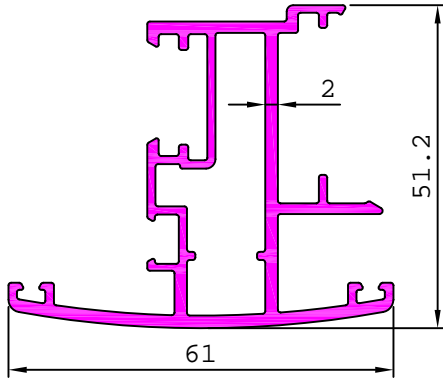
21549

0.620 kg/m

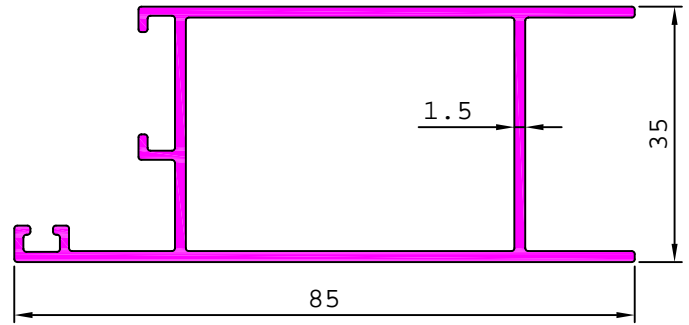


DETAILS OF CASEMENT WINDOW SECTIONS

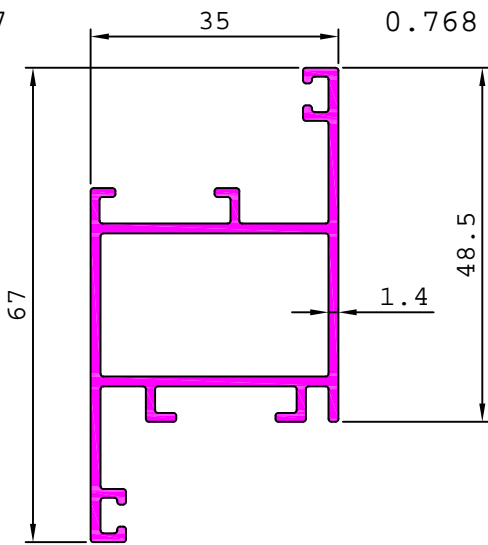
21594 1.171 kg/m



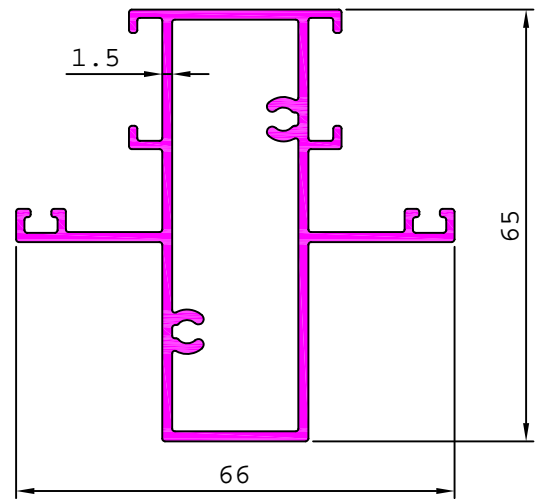
21573 0.936 kg/m



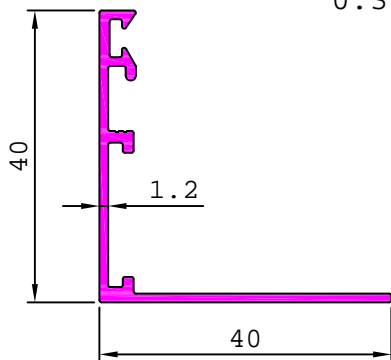
21567 0.768 kg/m



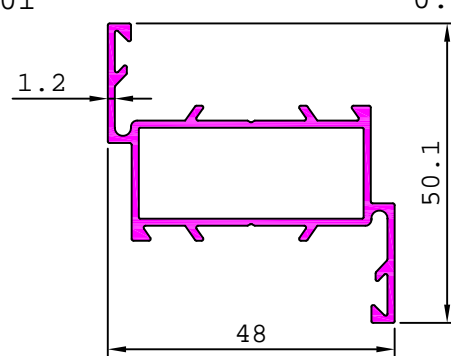
21551 1.101 kg/m



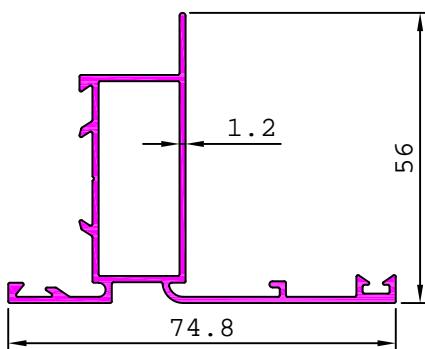
21600 0.329 kg/m



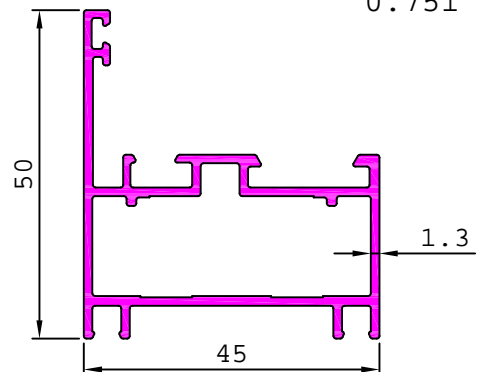
21601 0.637 kg/m



21602 0.751 kg/m

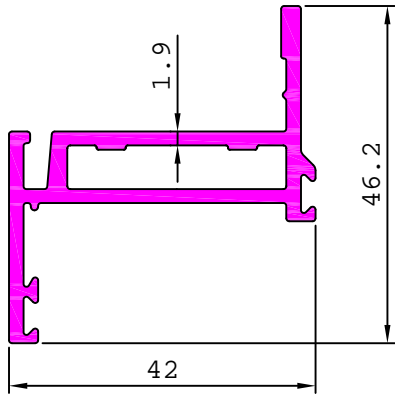


21593 0.751 kg/m

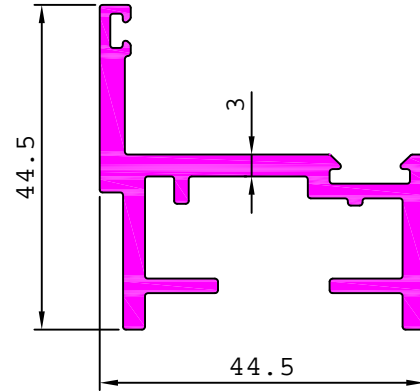


DETAILS OF CASEMENT WINDOW SECTIONS

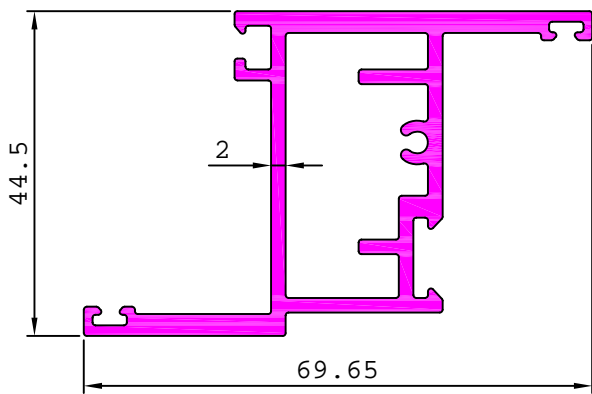
21693 0.784 kg/m



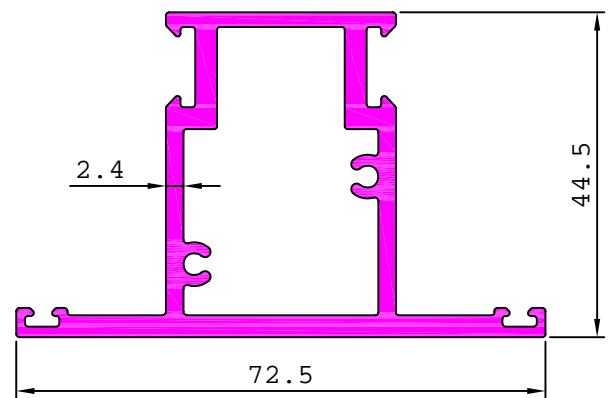
21694 1.026 kg/m



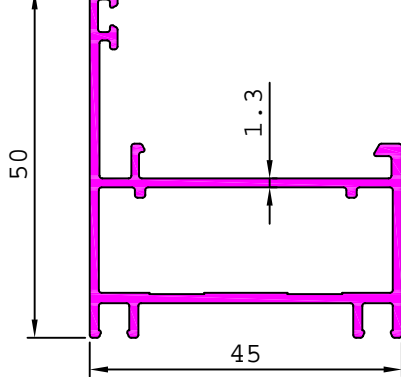
21695 1.297 kg/m



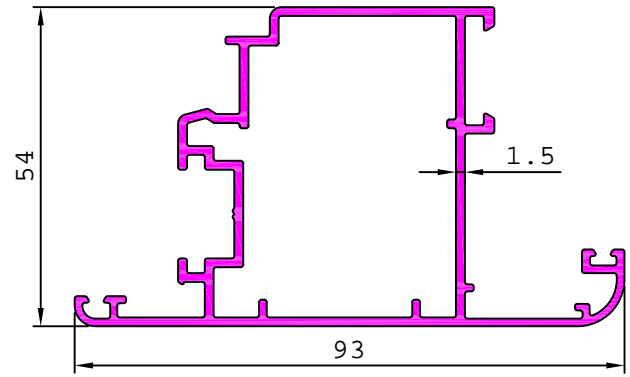
21696 1.448 kg/m



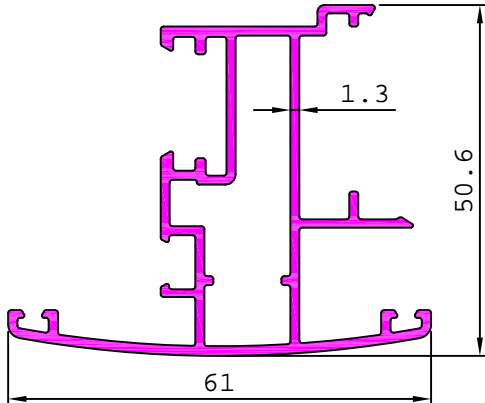
21699 0.697 kg/m



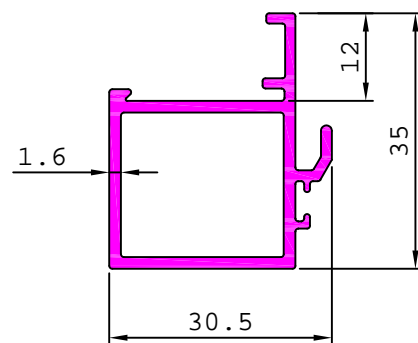
21700 1.276 kg/m



21701 0.913 kg/m



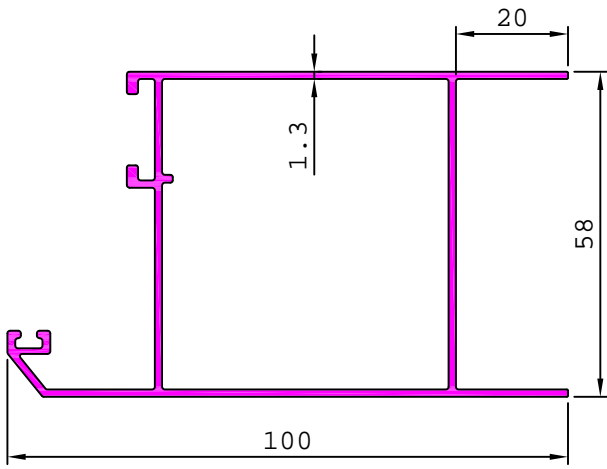
21655 0.526 kg/m



DETAILS OF CASEMENT WINDOW SECTIONS

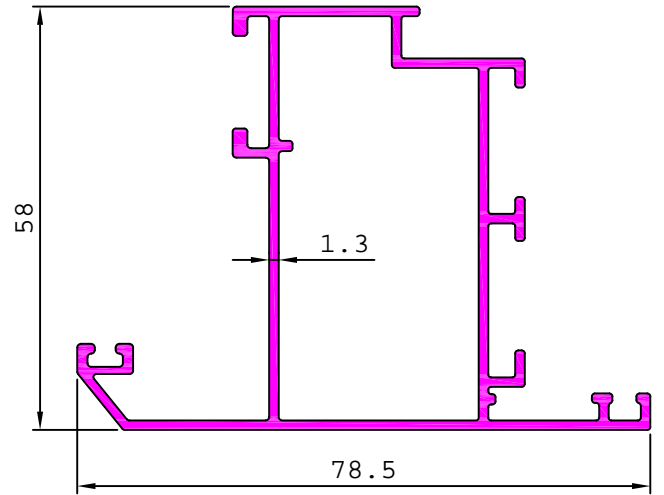
21511

1.131 kg/m



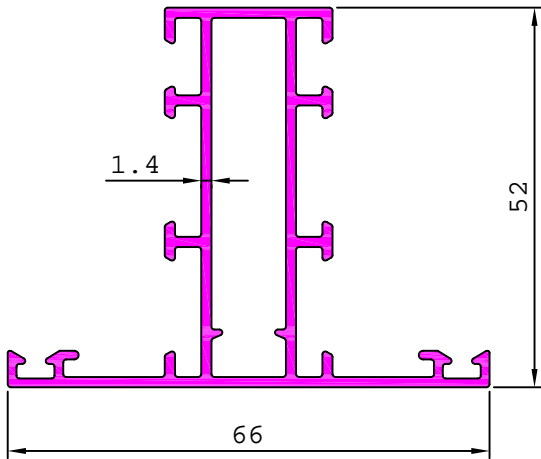
21512

1.039 kg/m



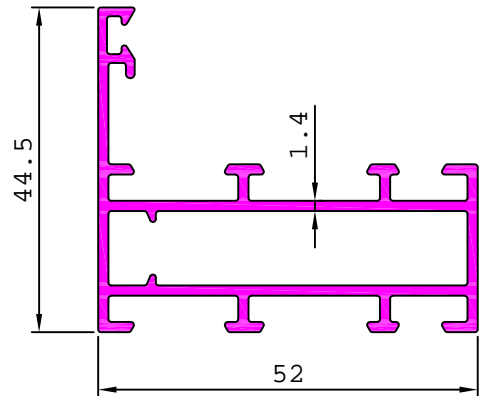
21634

0.956 kg/m



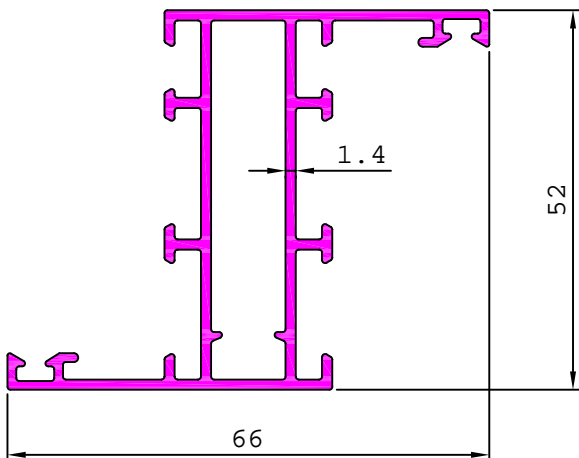
21635

0.842 kg/m



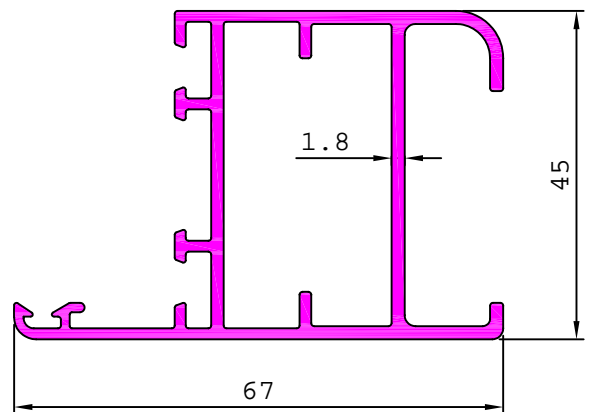
21636

0.956 kg/m



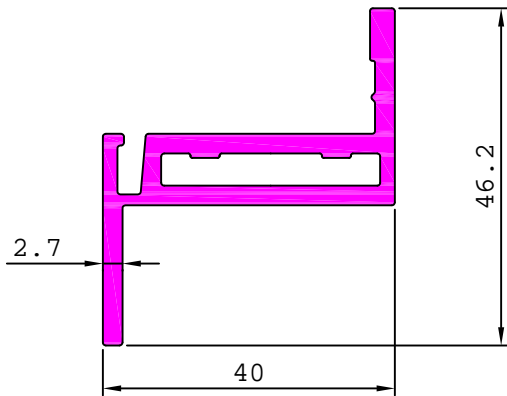
21586

1.104 kg/m

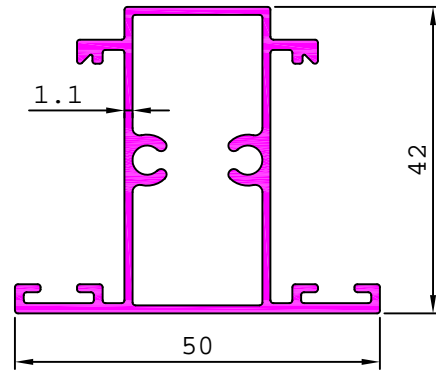


DETAILS OF CASEMENT WINDOW SECTIONS

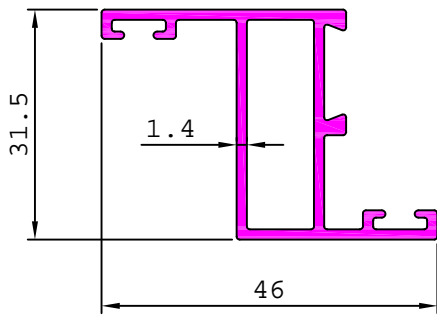
21613 0.920 kg/m



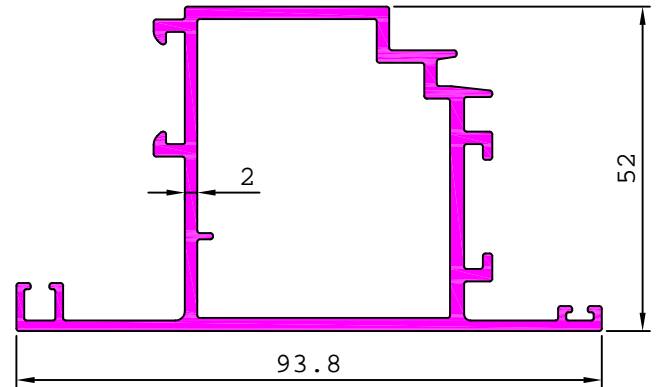
S4231 0.695 kg/m



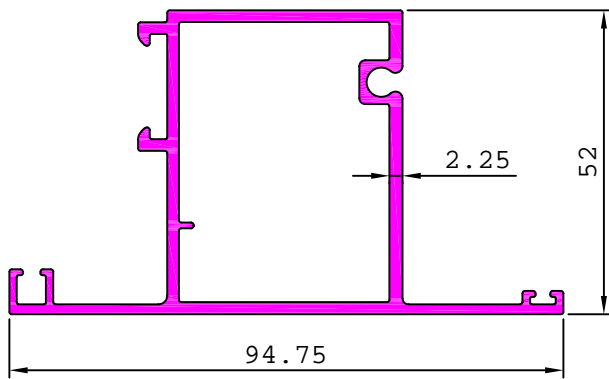
S4611 0.533 kg/m



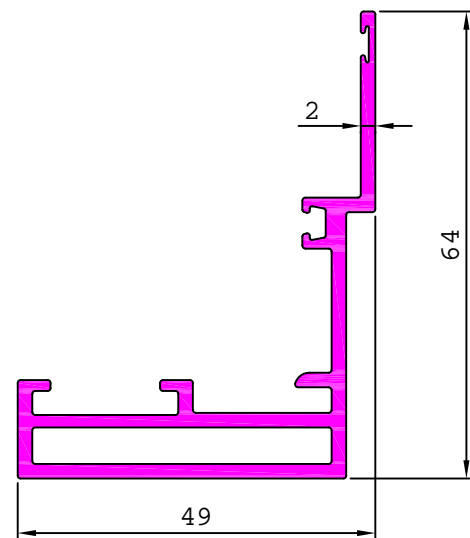
S4653 1.503 kg/m



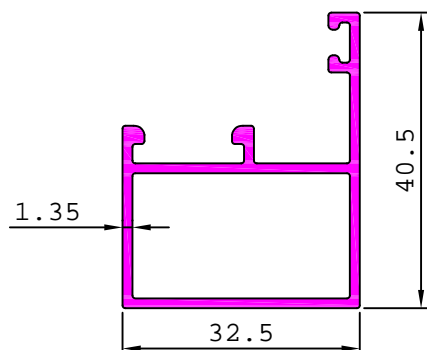
S4656 1.429 kg/m



S4687 0.967 kg/m



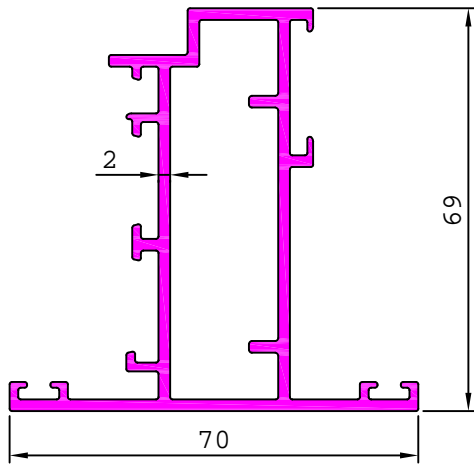
21704 0.524 kg/m



DETAILS OF CASEMENT WINDOW SECTIONS

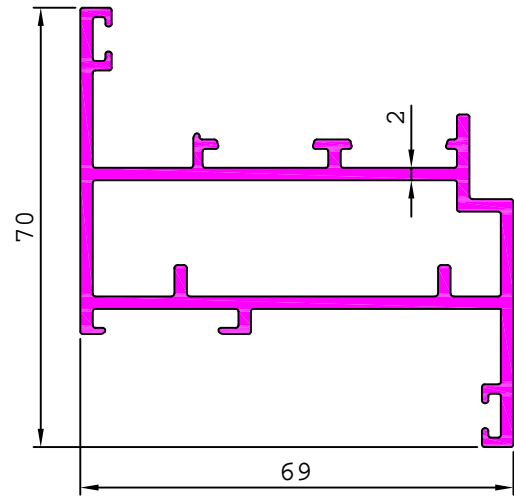
21721

1.532 kg/m



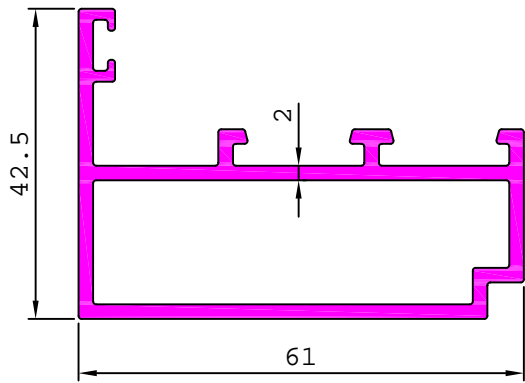
21722

1.501 kg/m



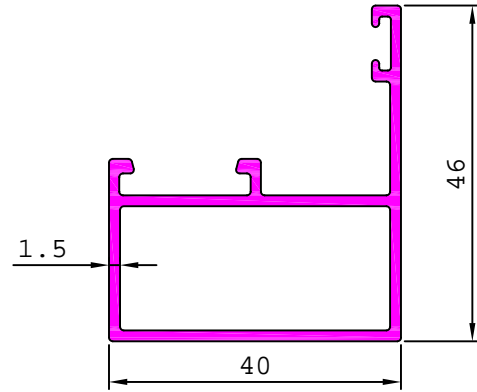
S5095

1.110 kg/m



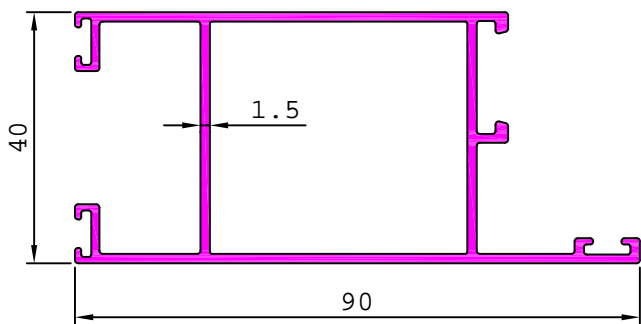
S5141

0.651 kg/m



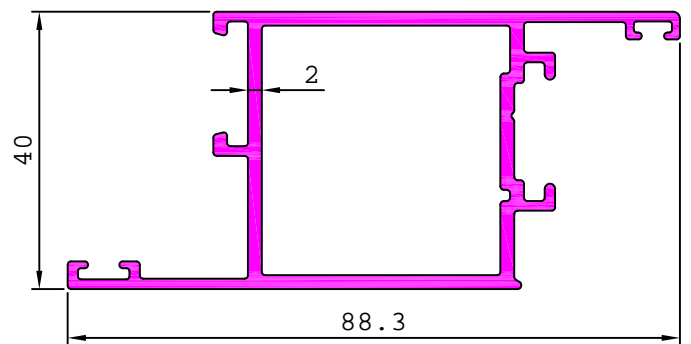
S5145

1.085 kg/m



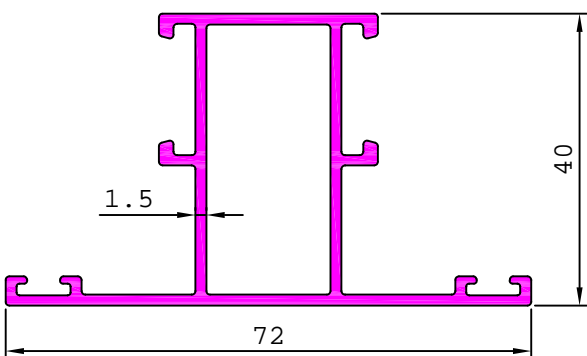
S5142

1.183 kg/m



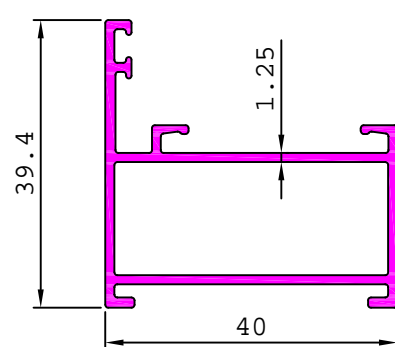
S5144

0.840 kg/m



S5180

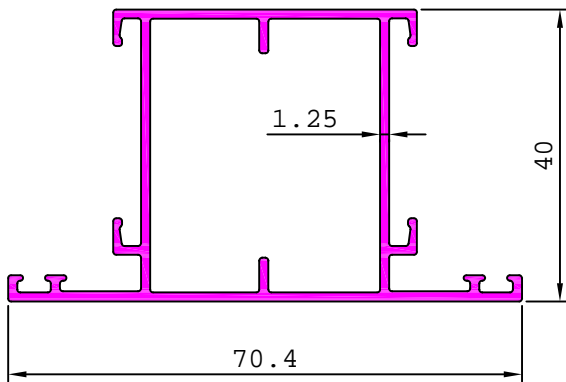
0.550 kg/m



DETAILS OF CASEMENT WINDOW SECTIONS

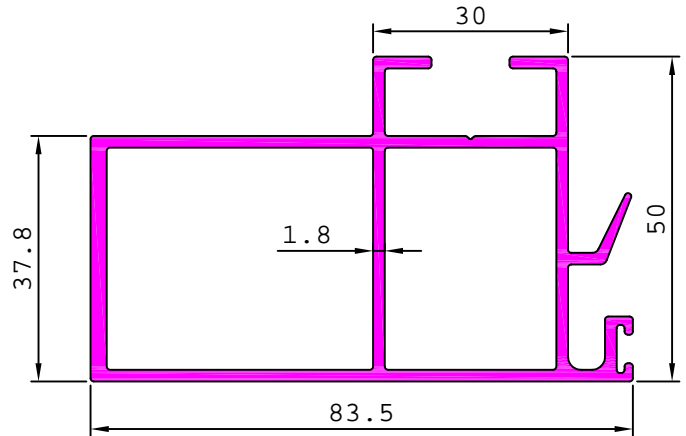
S5181

0.782 kg/m



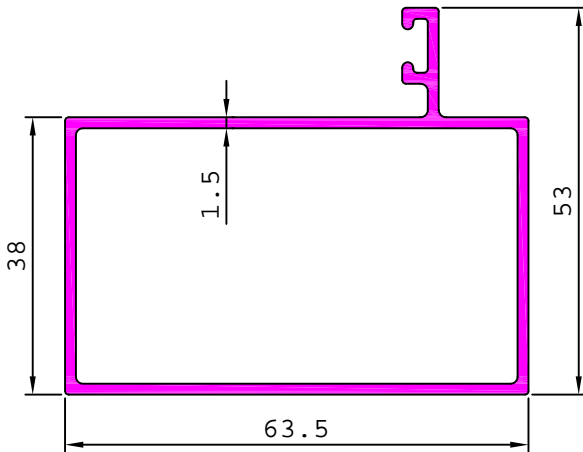
S5192

1.642 kg/m



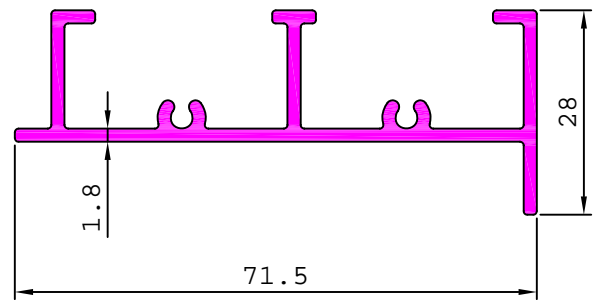
S5232

0.901 kg/m



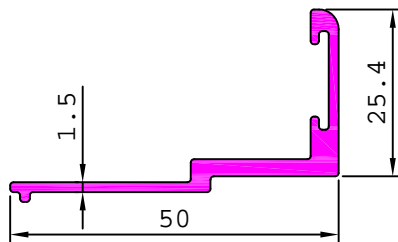
S5233

0.771 kg/m



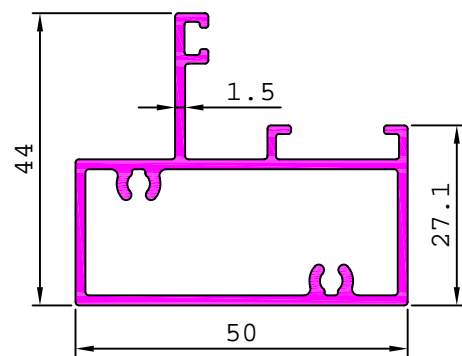
S5240

0.453 kg/m



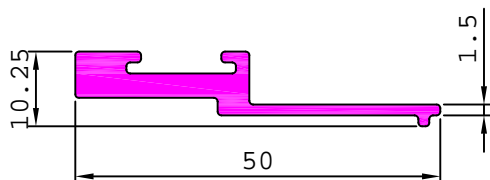
S5268

0.818 kg/m



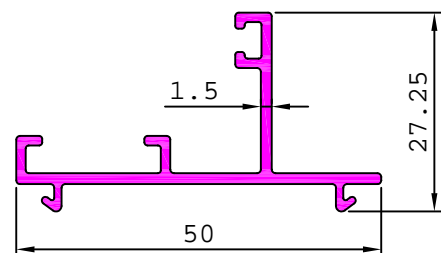
S5239

0.443 kg/m



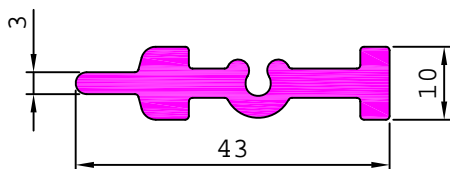
S5269

0.403 kg/m



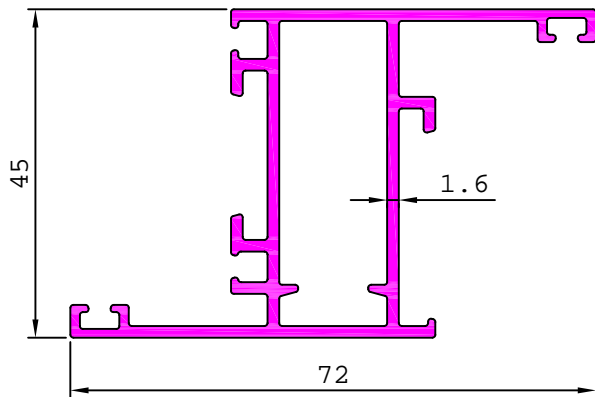
S5241

0.638 kg/m

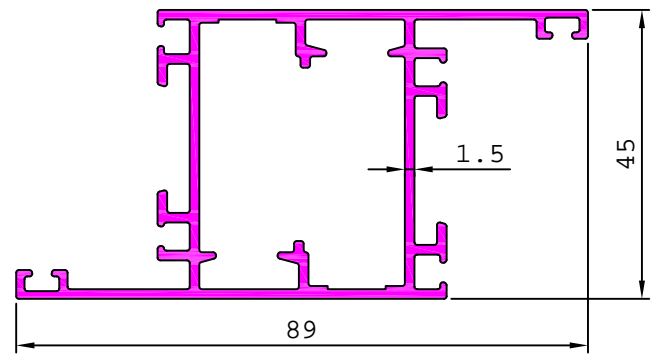


DETAILS OF CASEMENT WINDOW SECTIONS

21744 0.994 kg/m



21745 1.244 kg/m



S5328 0.739 kg/m

