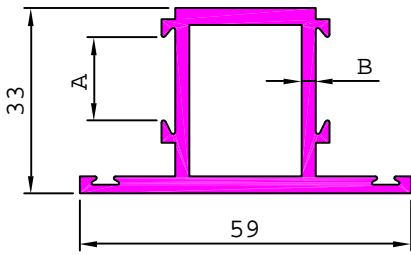
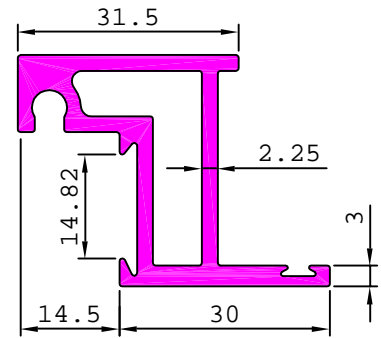
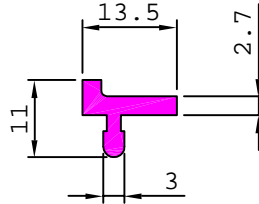


DETAILS OF CASEMENT WINDOW SECTIONS

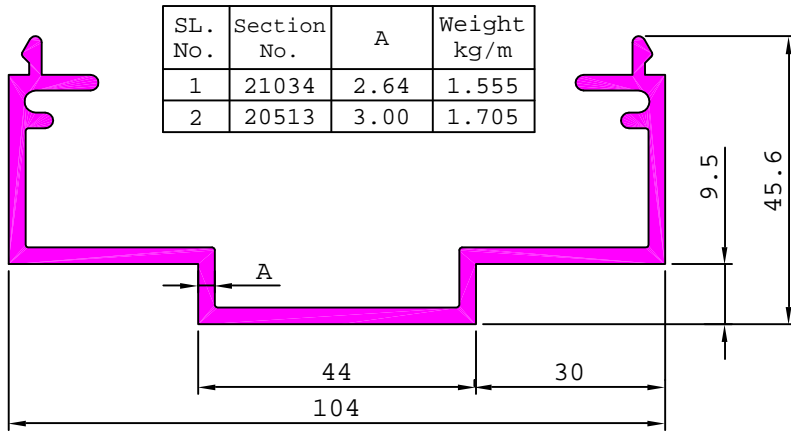


20511 0.155 kg/m

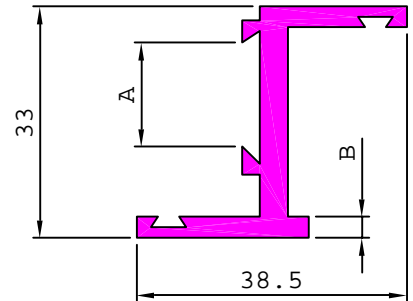
20512 0.914 kg/m



SL. No.	Section No.	A	B	Weight kg/m
1	20941	14.80	2.10	0.851
2	20510	14.82	2.50	1.123



SL. No.	Section No.	A	Weight kg/m
1	21034	2.64	1.555
2	20513	3.00	1.705

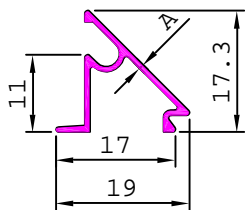
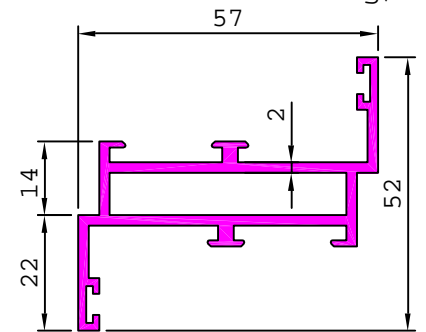
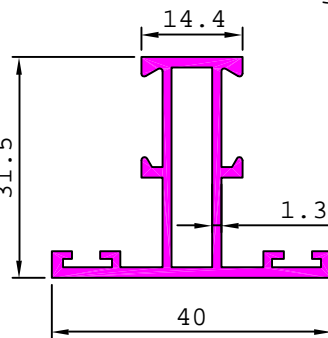
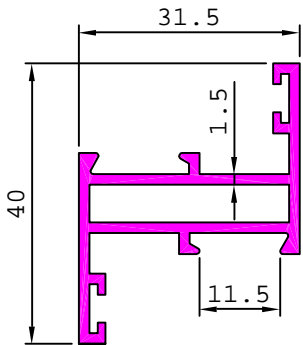


SL. No.	Section No.	A	B	Weight kg/m
1	20940	14.80	1.95	0.408
2	20509	14.82	3.00	0.663

20533 0.549 kg/m

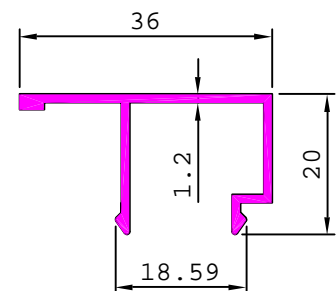
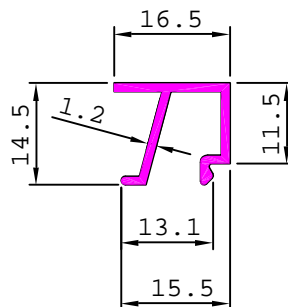
20534 0.502 kg/m

20535 1.065 kg/m



19389 0.157 kg/m

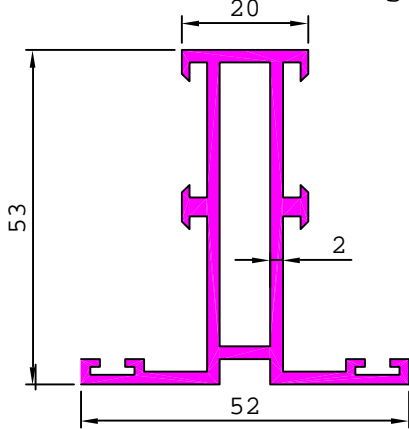
19390 0.259 kg/m



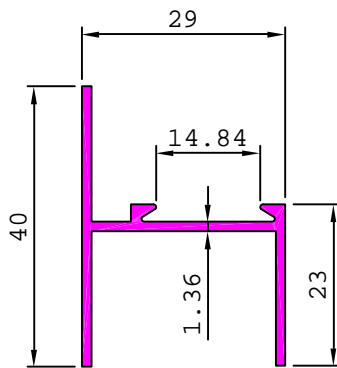
SL. No.	Section No.	A	Weight kg/m
1	19352	0.70	0.097
2	19370	0.80	0.109
3	19360	0.90	0.124

DETAILS OF CASEMENT WINDOW SECTIONS

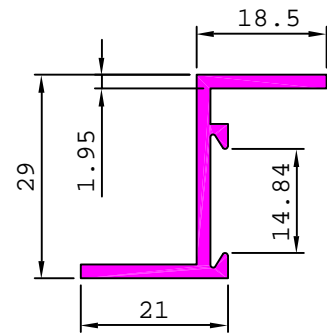
20536 1.065 kg/m



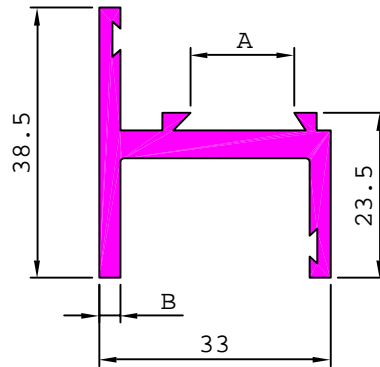
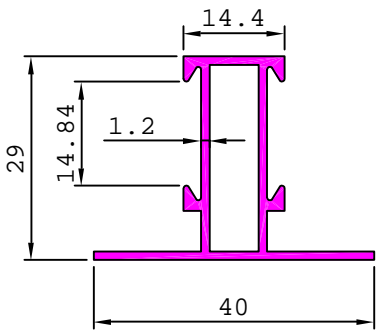
20653 0.354 kg/m



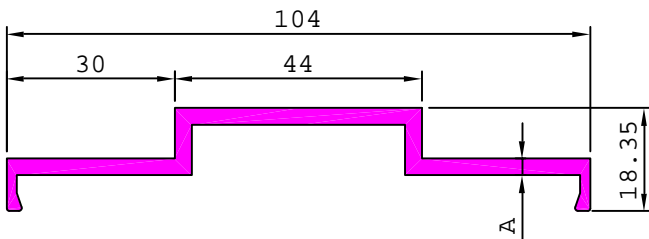
20654 0.364 kg/m



20658 0.367 kg/m



SL. No.	Section No.	A	B	Weight kg/m
1	20949	14.80	2.03	0.497
2	20948	14.80	2.56	0.606
3	20585	14.82	3.00	0.775



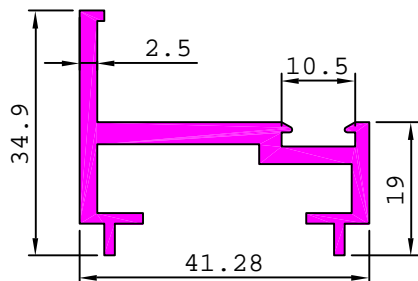
SL. No.	Section No.	A	Weight kg/m
1	21033	2.64	0.945
2	20515	3.00	1.056

SUPER PROFILE

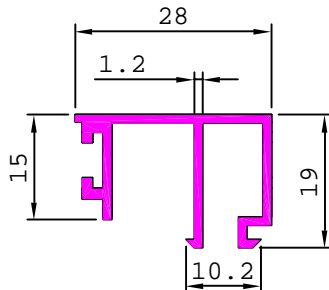
DETAILS OF CASEMENT WINDOW SECTIONS

SERIES - A

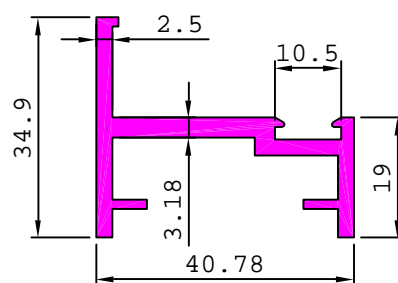
20628 0.714 kg/m



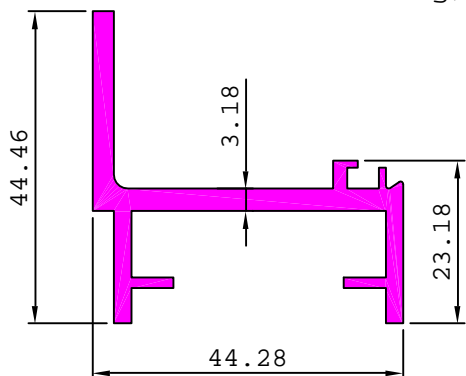
19359 0.301 kg/m



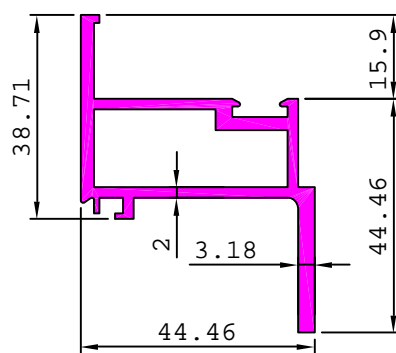
20629 0.711 kg/m



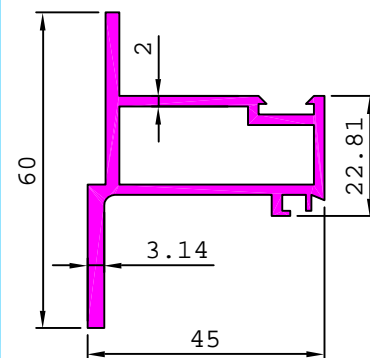
20630 0.892 kg/m



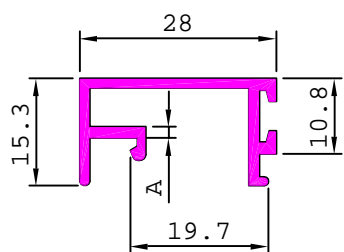
20641 1.072 kg/m



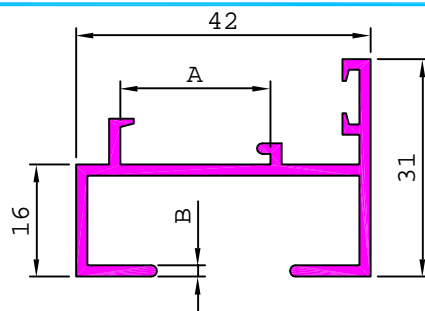
20727 1.053 kg/m



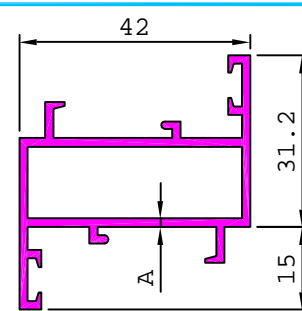
SERIES - B



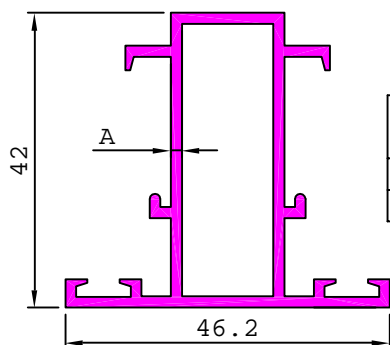
SL. No.	Section No.	A	Weight kg/m
1	19392	1.11	0.224
2	19391	1.50	0.289



SL. No.	Section No.	A	B	Weight kg/m
1	20942	22.10	1.25	0.434
2	20558	21.40	1.60	0.534



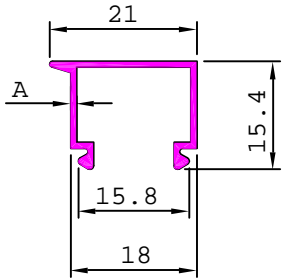
SL. No.	Section No.	A	Weight kg/m
1	20943	1.35	0.651
2	20559	1.50	0.724



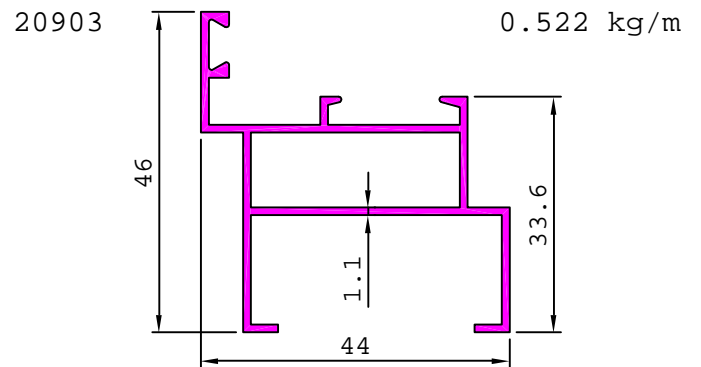
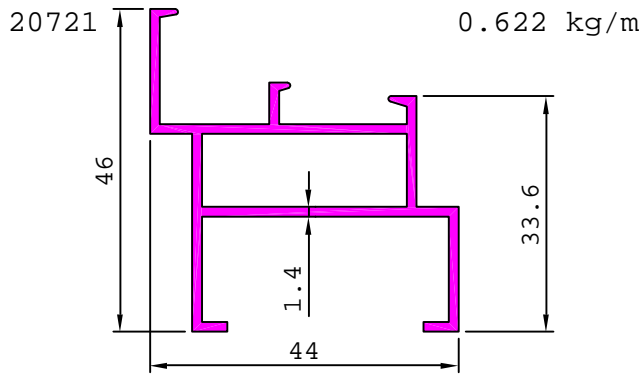
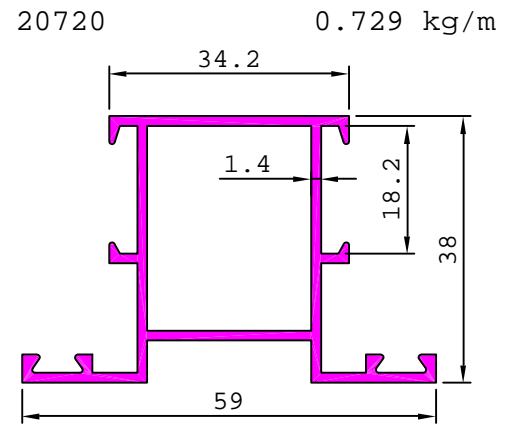
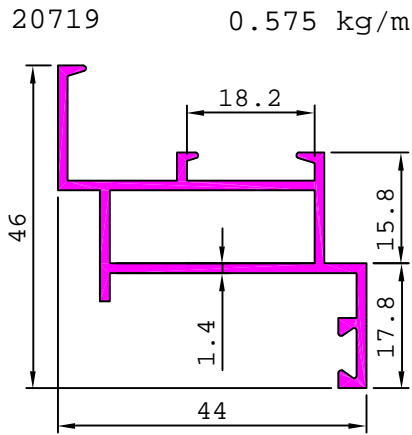
SL. No.	Section No.	A	Weight kg/m
1	20944	1.35	0.651
2	20560	1.60	0.764

DETAILS OF CASEMENT WINDOW SECTIONS

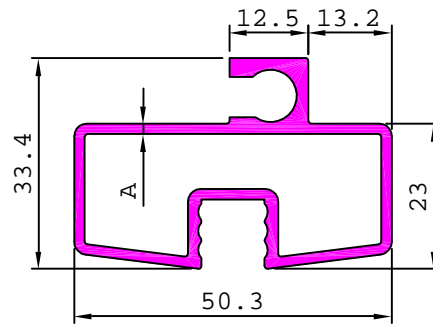
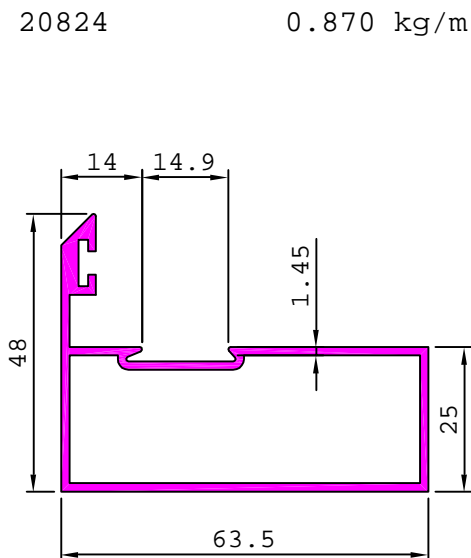
SERIES - C



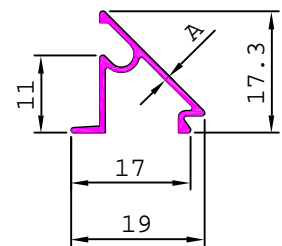
SL. No.	Section No.	A	Weight kg/m
1	19362	0.60	0.108
2	19369	0.85	0.137



SERIES - D



SL. No.	Section No.	A	Weight kg/m
1	20825	1.64	0.854
2	20642	2.00	0.997



SL. No.	Section No.	A	Weight kg/m
1	19352	0.70	0.097
2	19370	0.80	0.109
3	19360	0.90	0.124