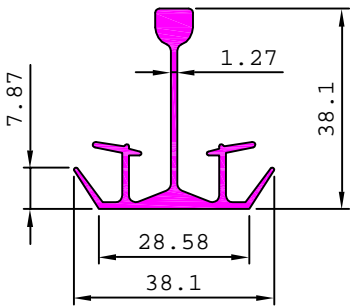
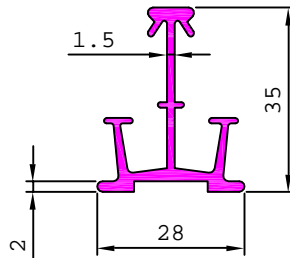


## NORTH LIGHT GLAZING BARS & SHOES

22529 0.516 kg/m

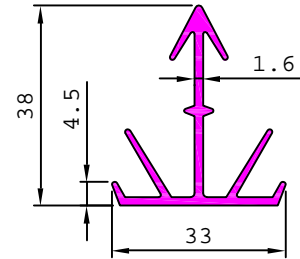


22530 0.486 kg/m



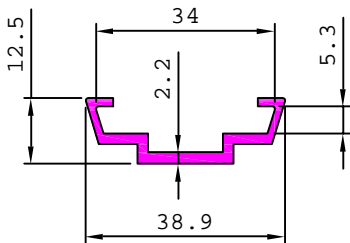
MATCHING SECTION 22534

22531 0.488 kg/m



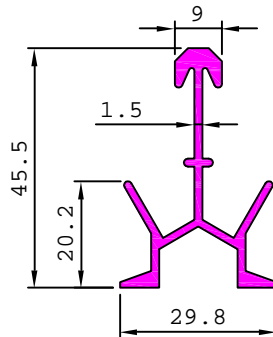
MATCHING SECTION 22532

22532 0.332 kg/m

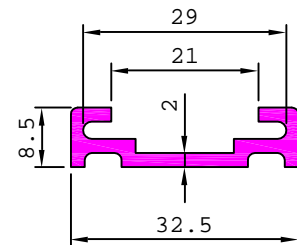


MATCHING SECTION 22531

22533 0.552 kg/m

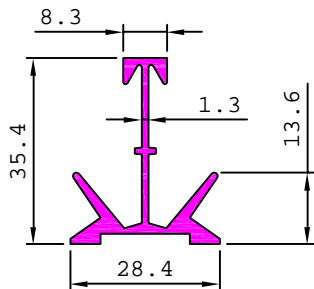


22534 0.310 kg/m



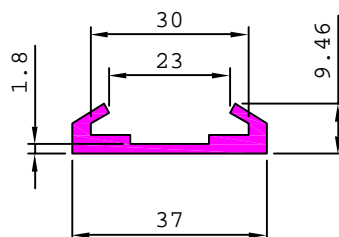
MATCHING SECTION 22530, 22539

22536 0.471 kg/m



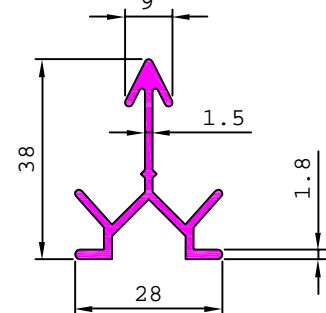
MATCHING SECTION 22537

22537 0.385 kg/m

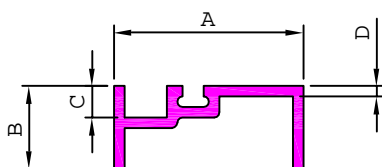


MATCHING SECTION 22536

22539 0.421 kg/m



MATCHING SECTION 22534



SL. No.	Section No.	A	B	C	D	Weight kg/m
1	22538	35.70	15.70	5.80	1.30	0.271
2	22543	35.80	15.00	6.10	0.90	0.190
3	22535	36.00	15.70	6.00	2.00	0.410

22541 0.290 kg/m

