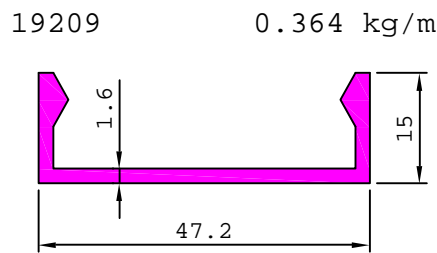
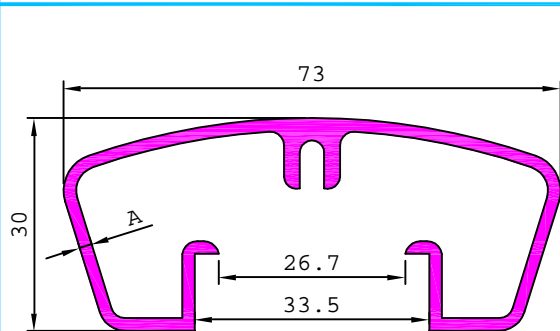
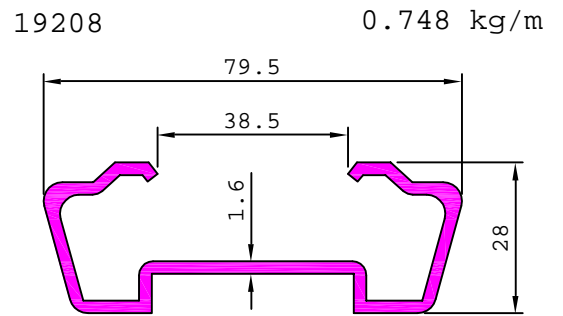
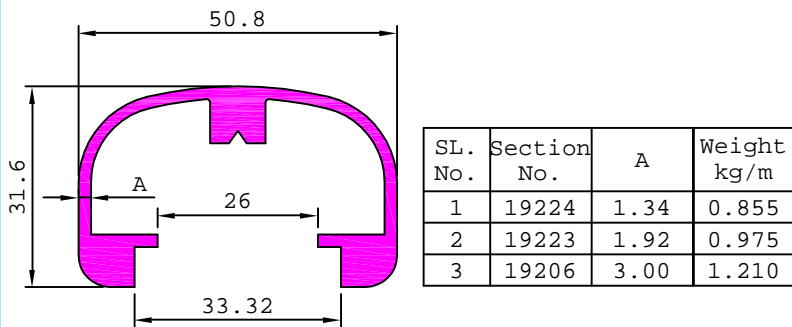
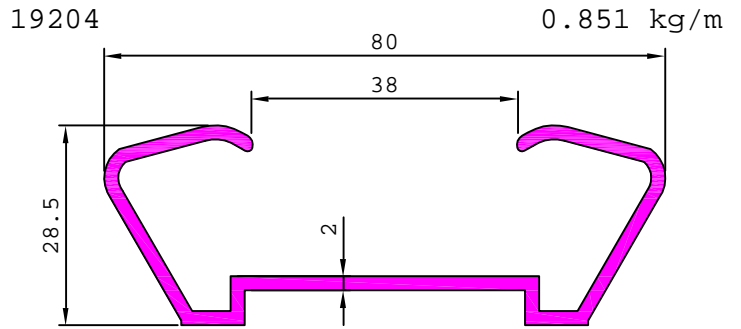
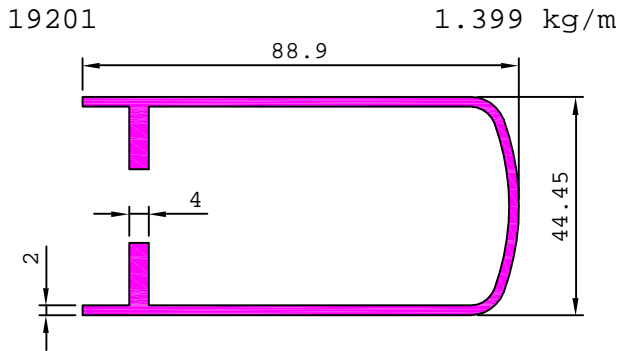
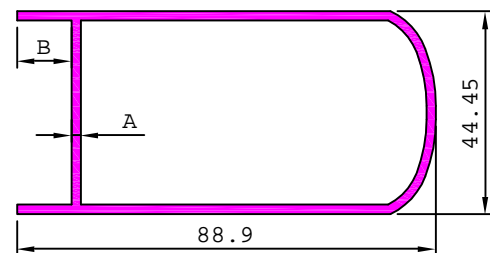
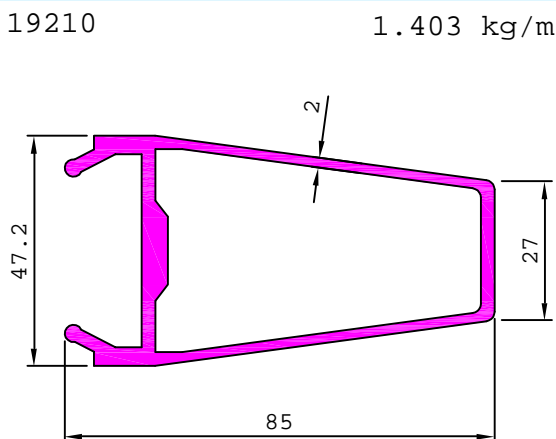
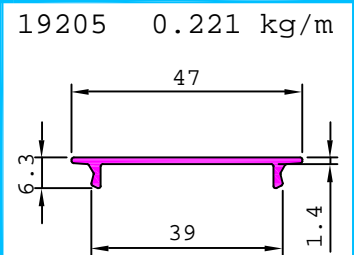
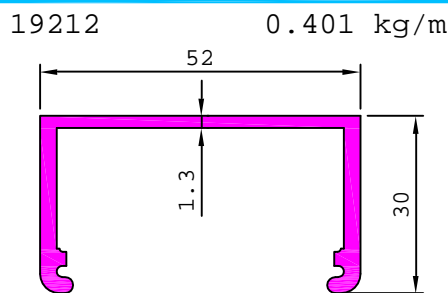


## HAND RAILS

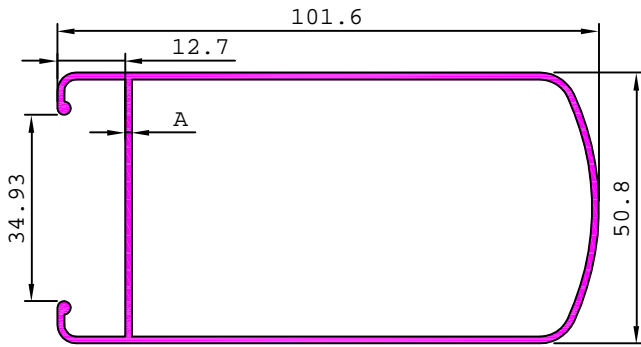


SL. No.	Section No.	A	Weight kg/m
1	19226	1.20	0.684
2	19225	1.65	0.854
3	19207	2.50	1.288



SL. No.	Section No.	A	B	Weight kg/m
1	19218	1.10	12.70	0.738
2	19217	1.15	12.50	0.765
3	19215	1.40	12.50	0.976

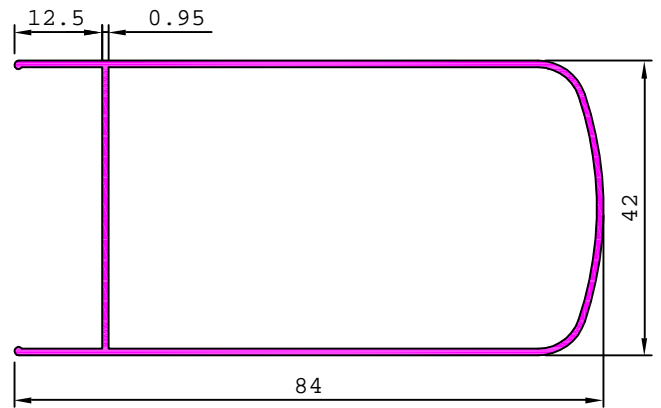
## HAND RAILS



Sl. No.	Section No.	A	Weight kg/m
1	19227	0.93	0.763
2	19222	1.19	0.970
3	19220	1.30	1.067

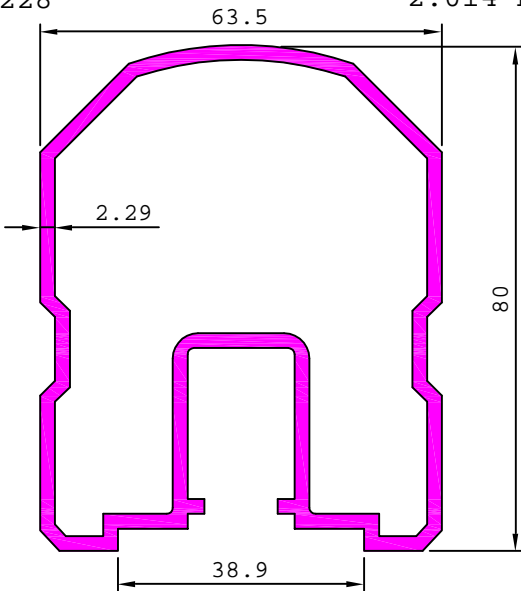
19221

0.612 kg/m



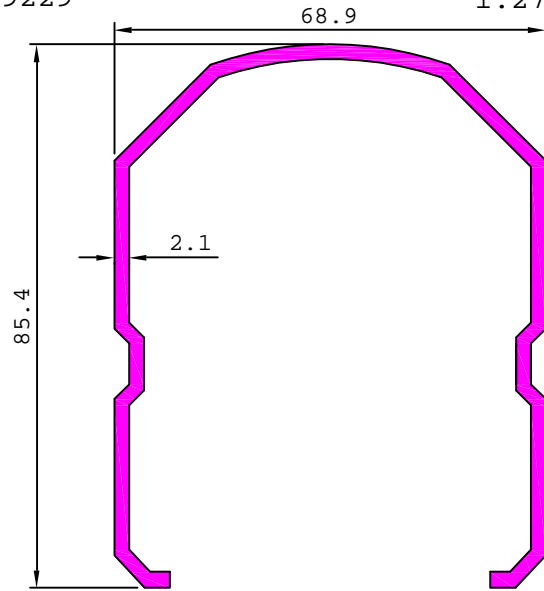
19228

2.014 kg/m



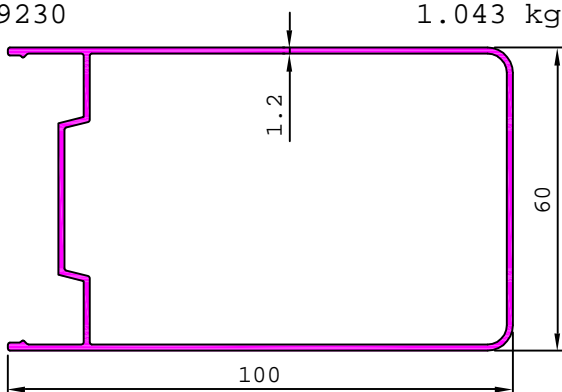
19229

1.278 kg/m



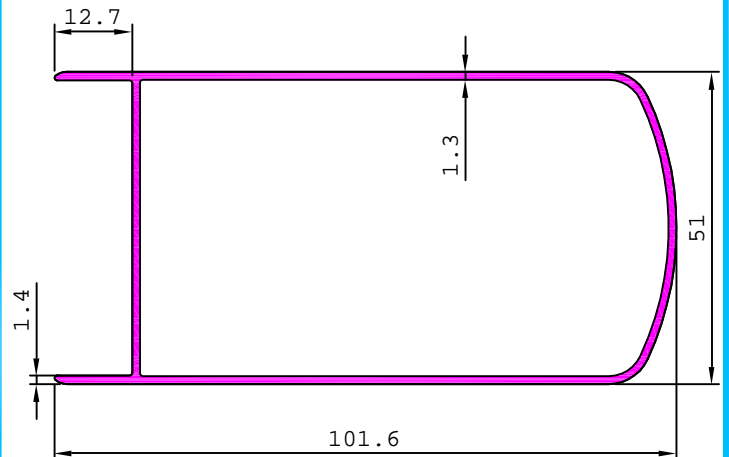
19230

1.043 kg/m



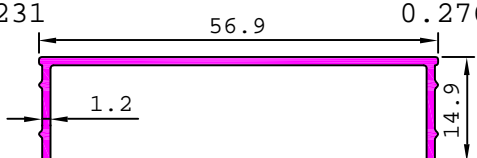
19232

1.014 kg/m



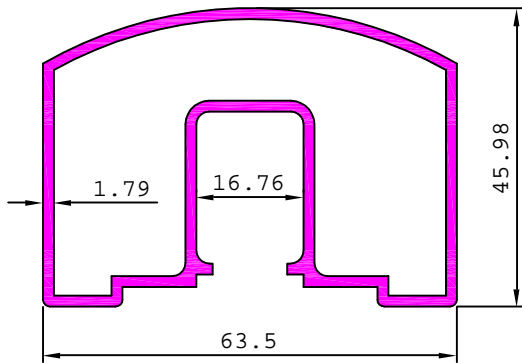
19231

0.276 kg/m

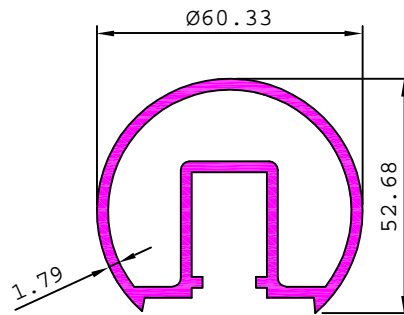


## HAND RAILS

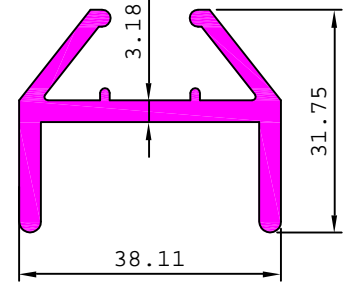
19233 1.268 kg/m



19234 1.191 kg/m



19235 0.823 kg/m



19236 0.926 kg/m

