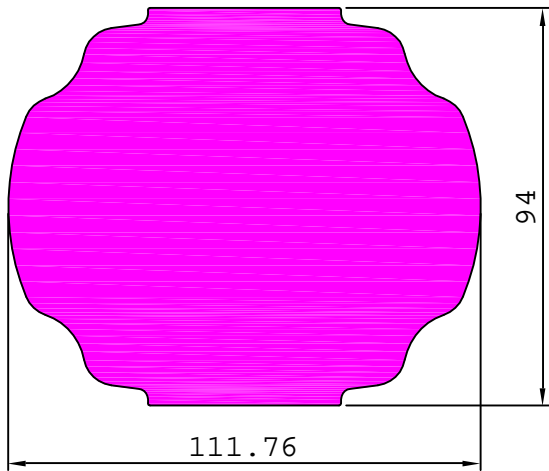
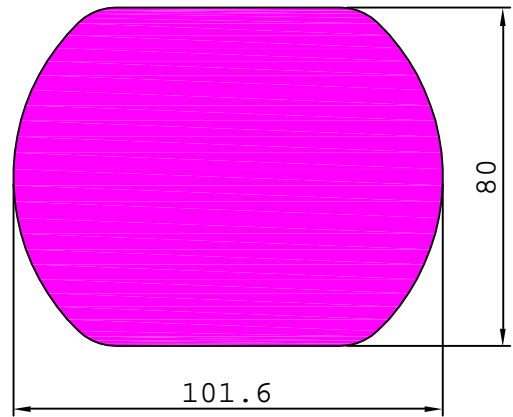


PUMP BODY AND ACTUATOR BODY

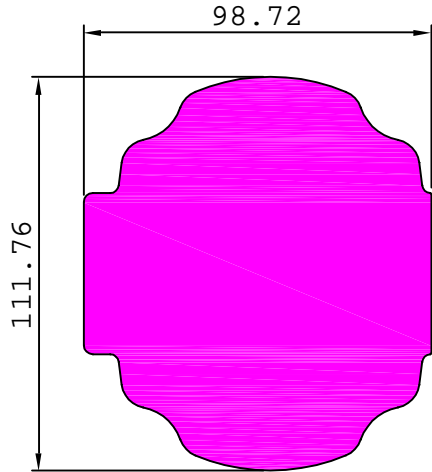
27001 23.131 kg/m



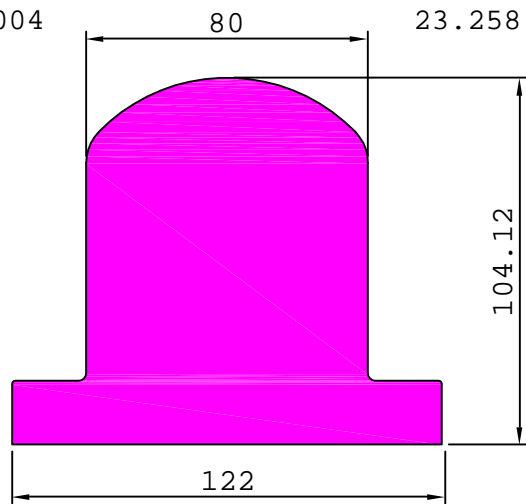
27002 19.367 kg/m



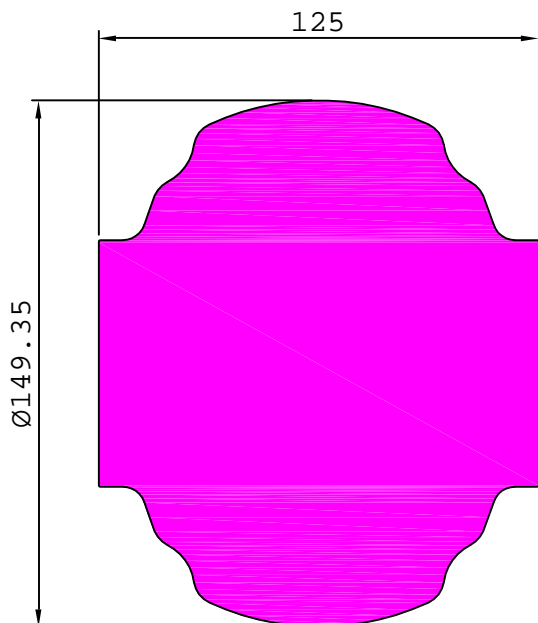
27003 23.703 kg/m



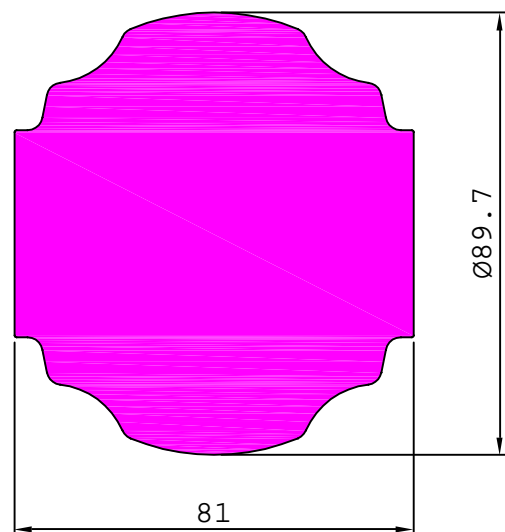
27004 23.258 kg/m



27005 40.237 kg/m



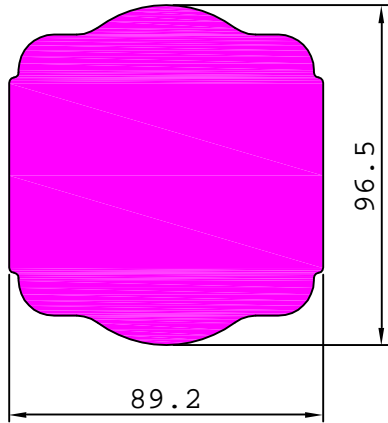
27006 15.738 kg/m



PUMP BODY AND ACTUATOR BODY

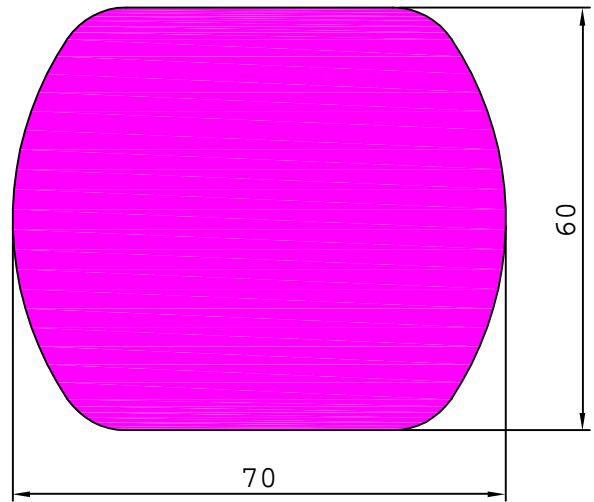
27007

20.000 kg/m



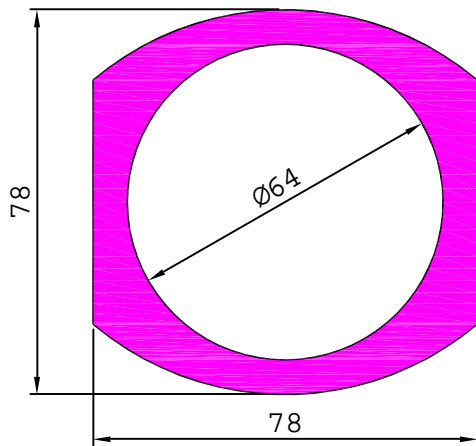
27009

10.162 kg/m



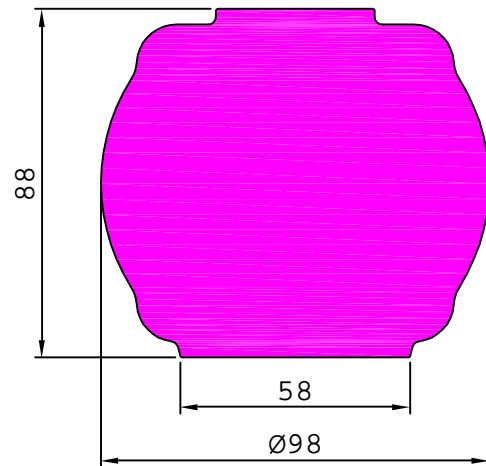
27010

5.843 kg/m



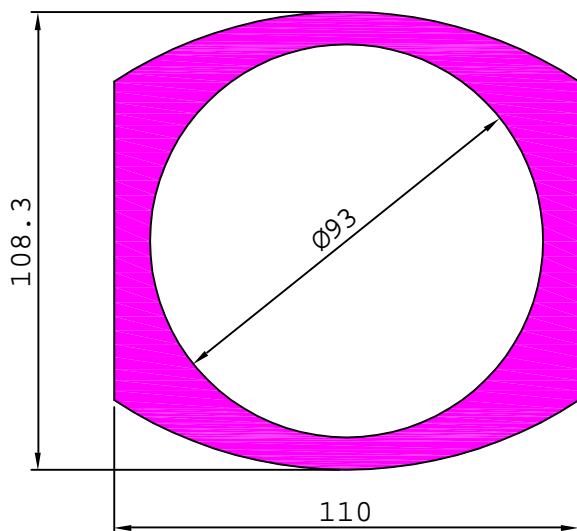
27012

20.000 kg/m



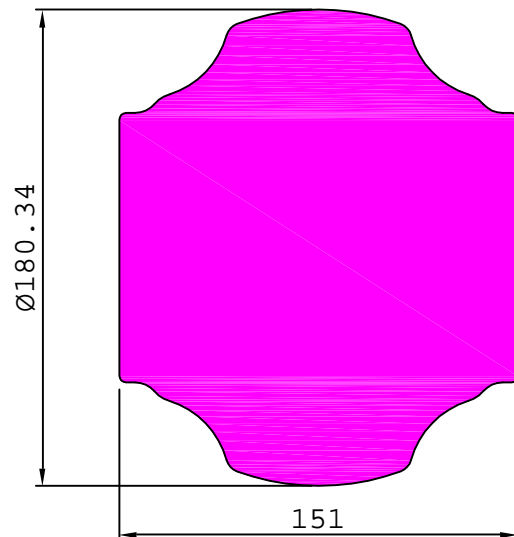
27011

10.676 kg/m



27013

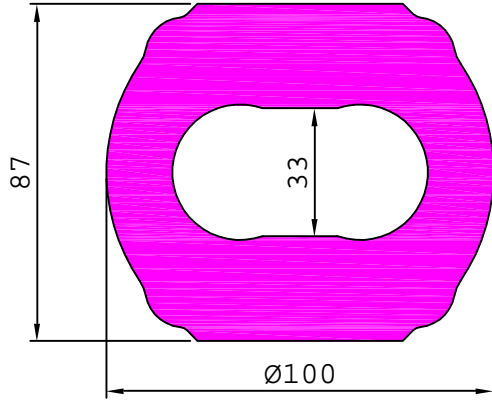
59.222 kg/m



PUMP BODY AND ACTUATOR BODY

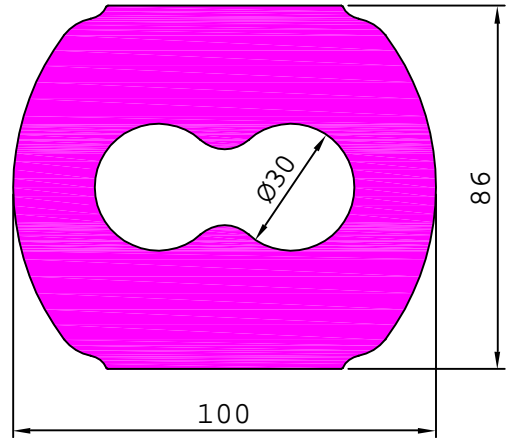
27014

14.927 kg/m



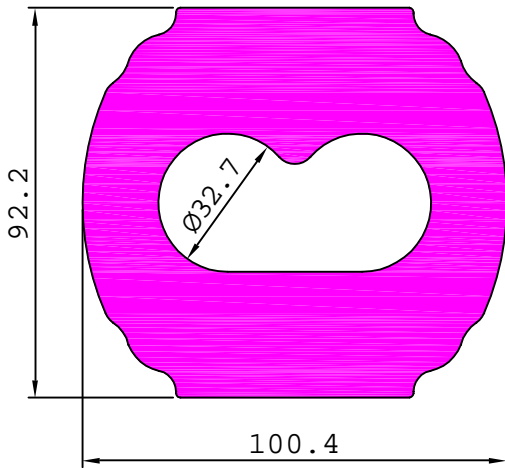
27015

16.434 kg/m



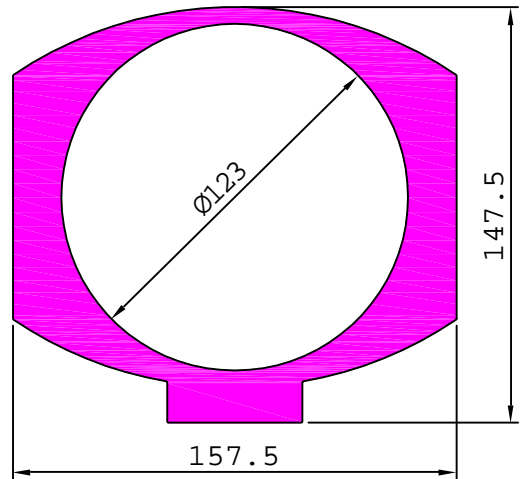
27016

16.635 kg/m



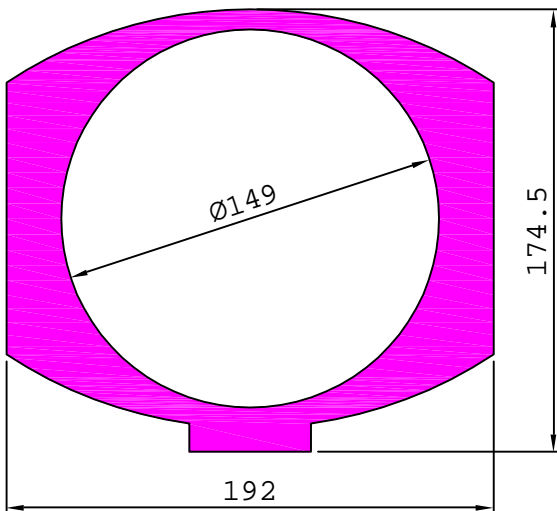
27017

20.418 kg/m



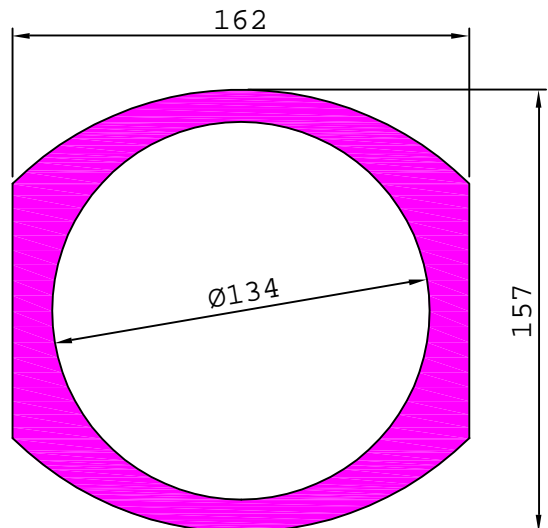
27018

30.136 kg/m



27019

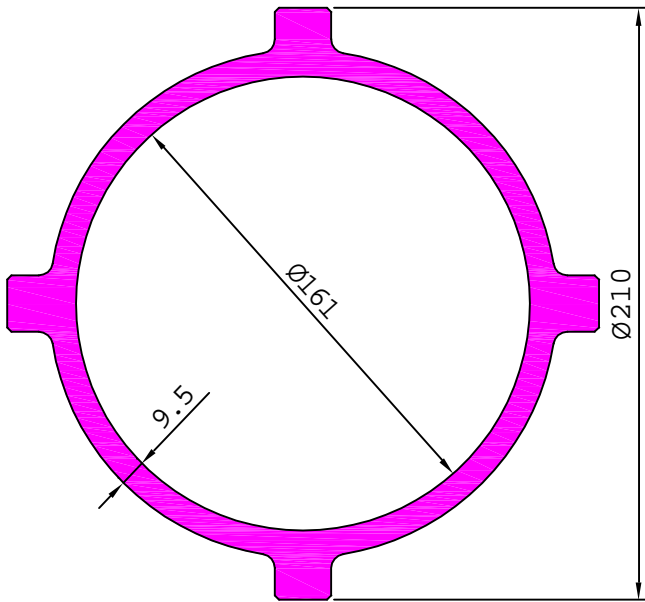
21.513 kg/m



PUMP BODY AND ACTUATOR BODY

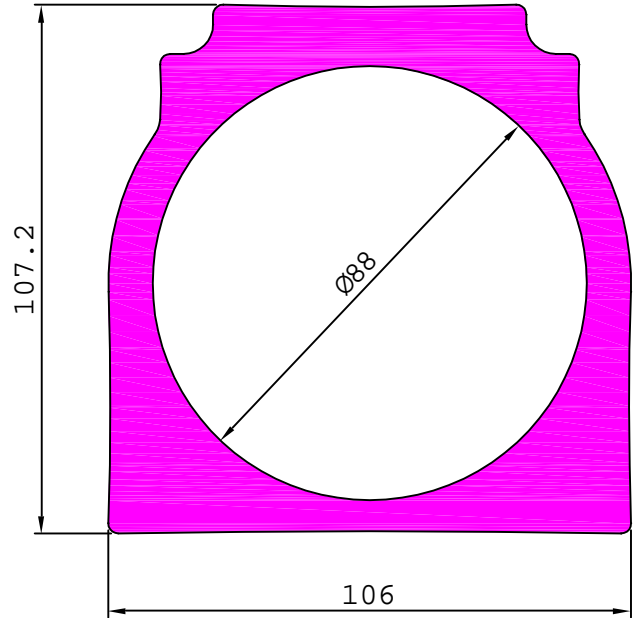
27020

17.016 kg/m



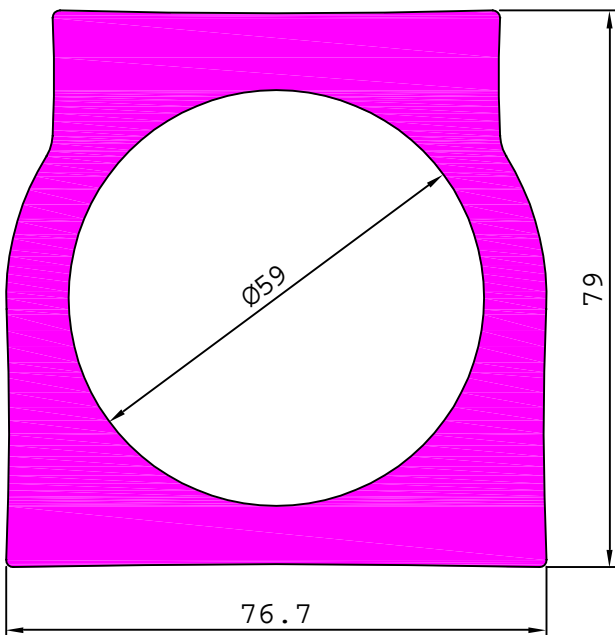
27021

11.525 kg/m



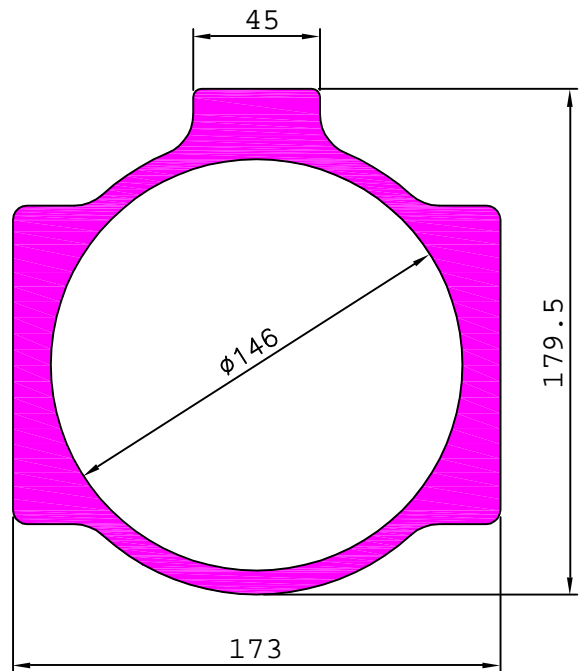
27022

7.885 kg/m



27023

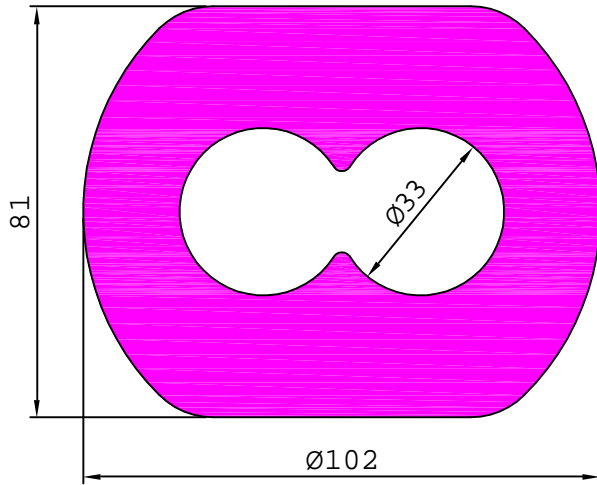
20.741 kg/m



PUMP BODY AND ACTUATOR BODY

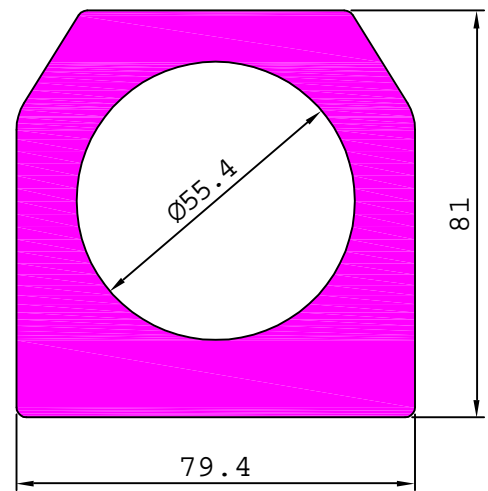
27024

15.030 kg/m



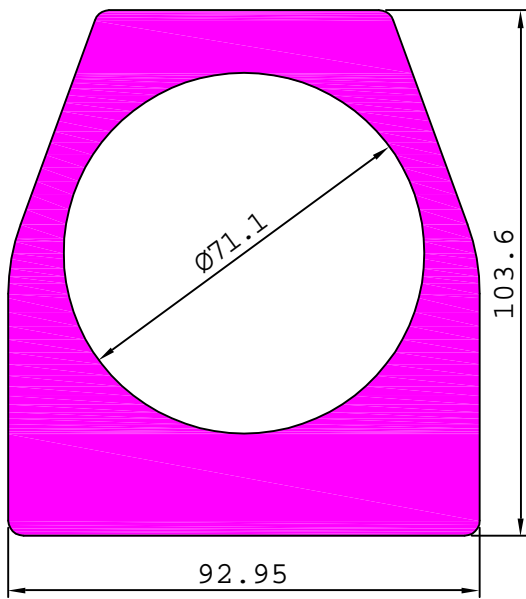
27025

10.113 kg/m



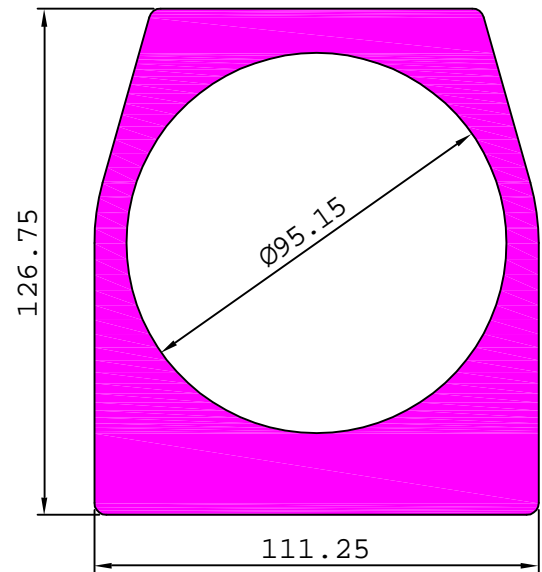
27026

12.905 kg/m



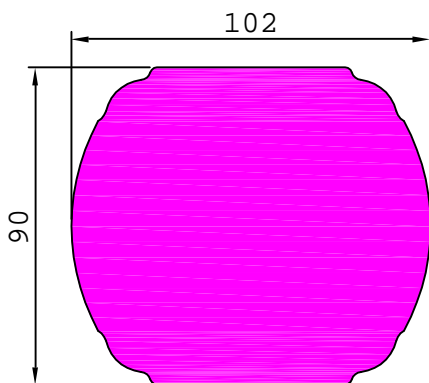
27027

16.867 kg/m



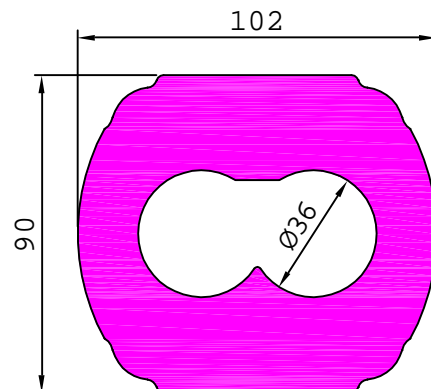
27028

21.660 kg/m



27029

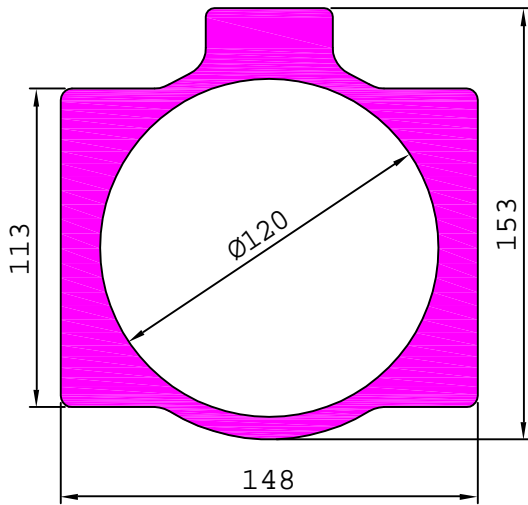
16.201 kg/m



PUMP BODY AND ACTUATOR BODY

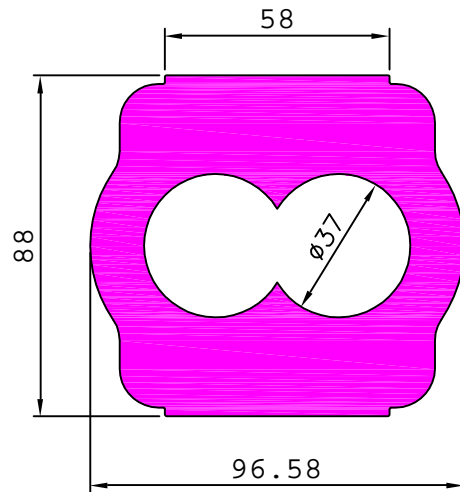
27030

20.030 kg/m



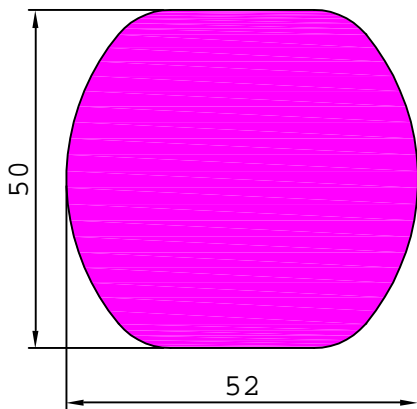
27031

14.397 kg/m



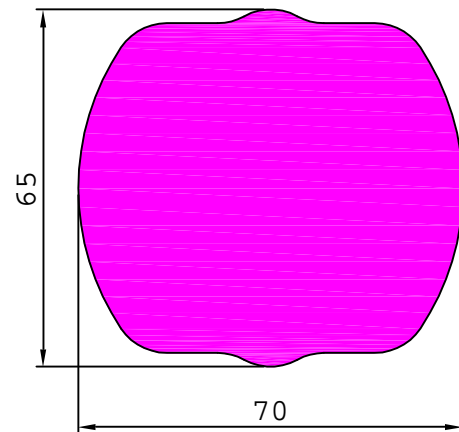
27032

6.064 kg/m



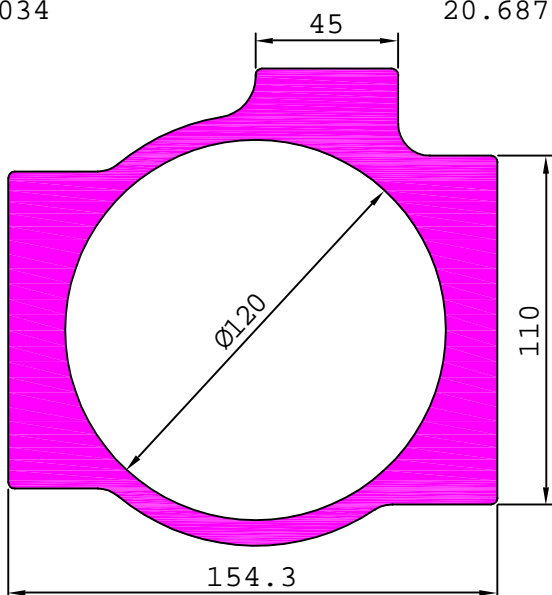
27033

10.293 kg/m



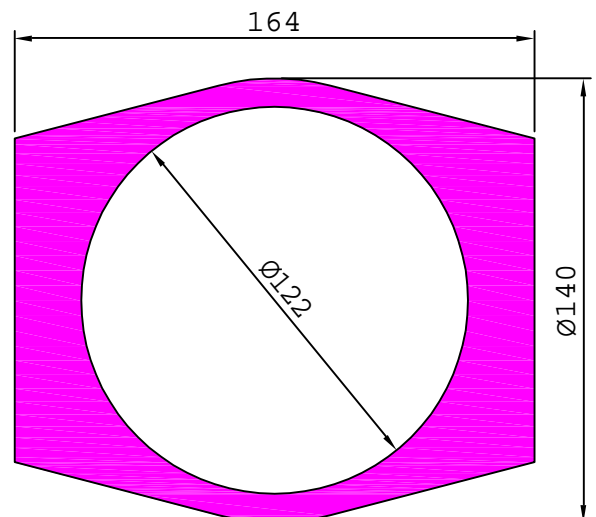
27034

20.687 kg/m



27035

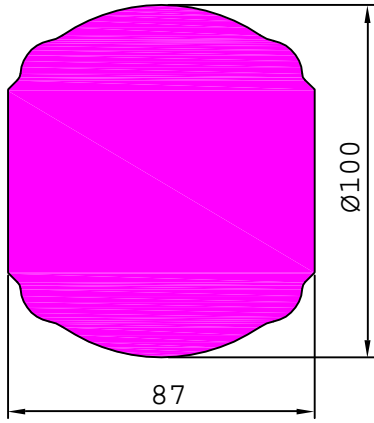
22.898 kg/m



PUMP BODY AND ACTUATOR BODY

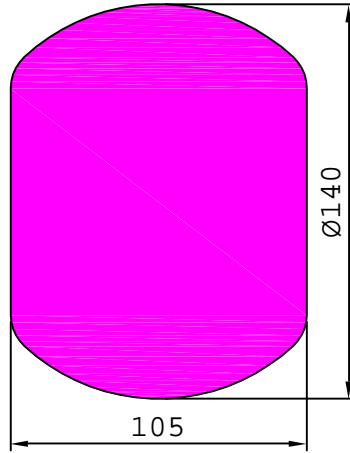
27036

20.311 kg/m



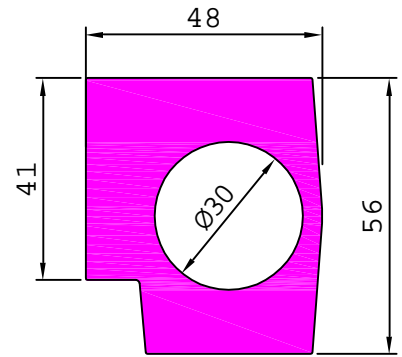
27037

35.514 kg/m



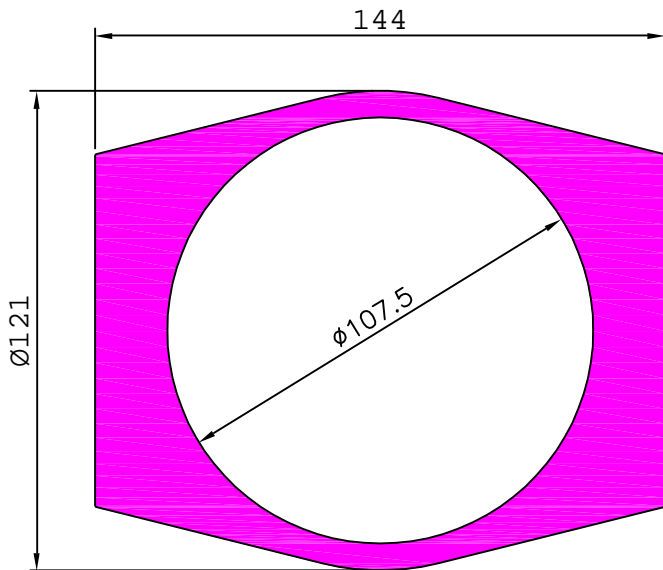
27038

4.734 kg/m



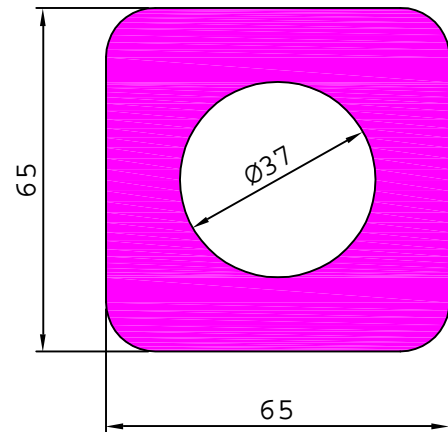
27039

16.904 kg/m



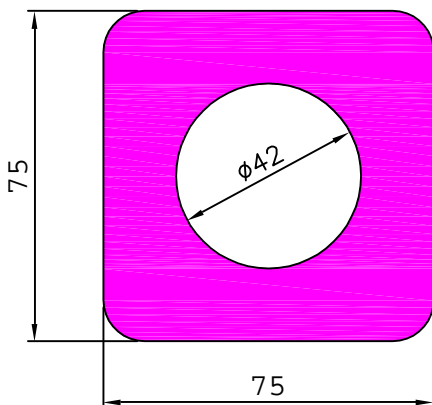
27040

8.304 kg/m



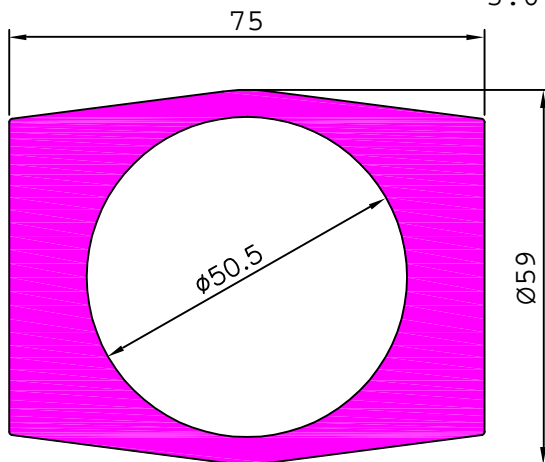
27041

11.246 kg/m



27042

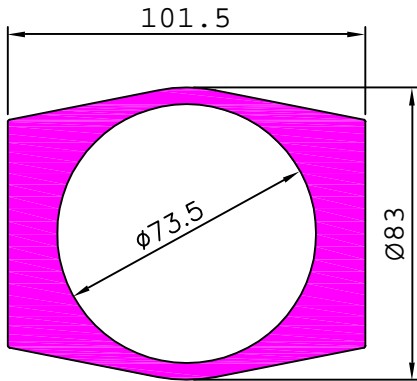
5.649 kg/m



PUMP BODY AND ACTUATOR BODY

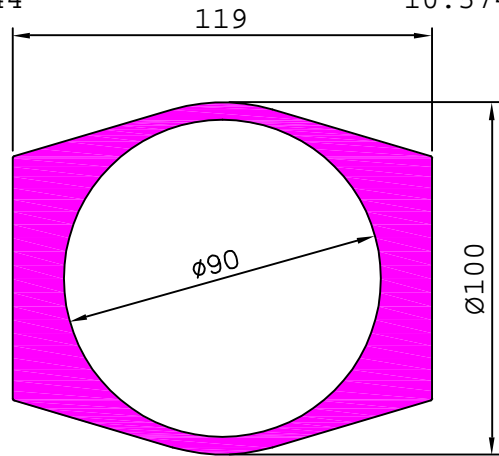
27043

8.956 kg/m



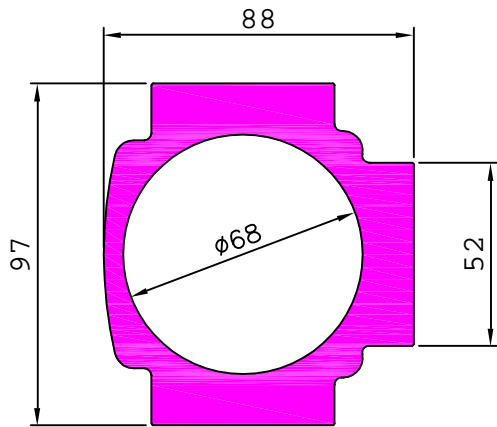
27044

10.574 kg/m



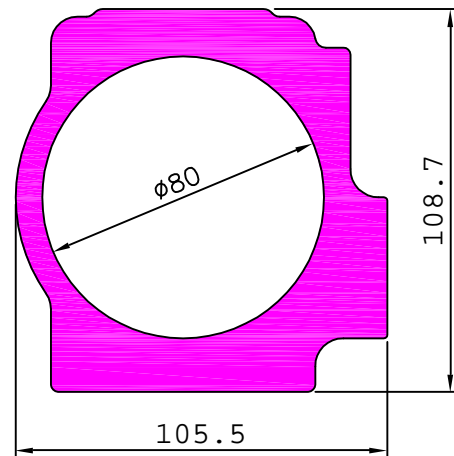
27045

9.431 kg/m



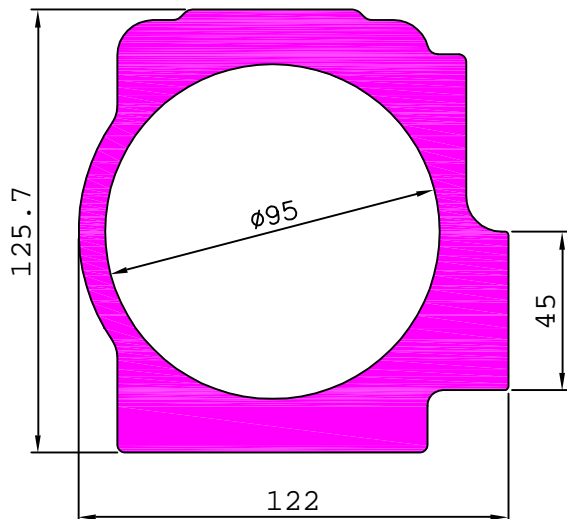
27046

12.740 kg/m



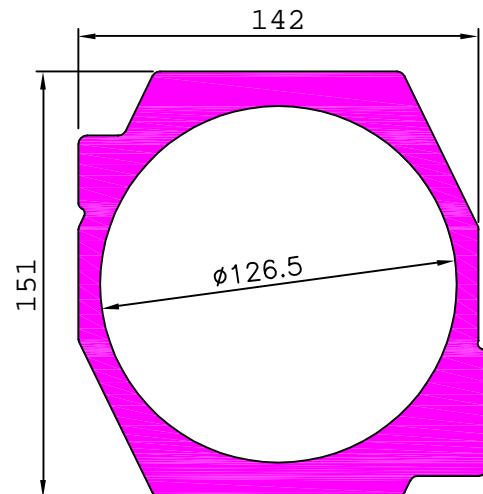
27047

16.016 kg/m



27048

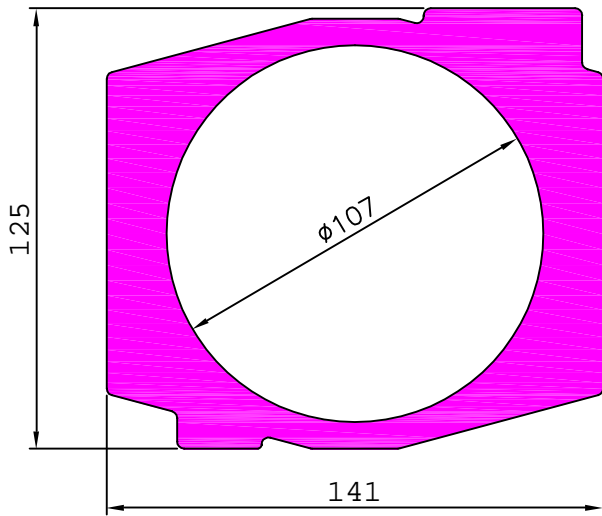
18.390 kg/m



PUMP BODY AND ACTUATOR BODY

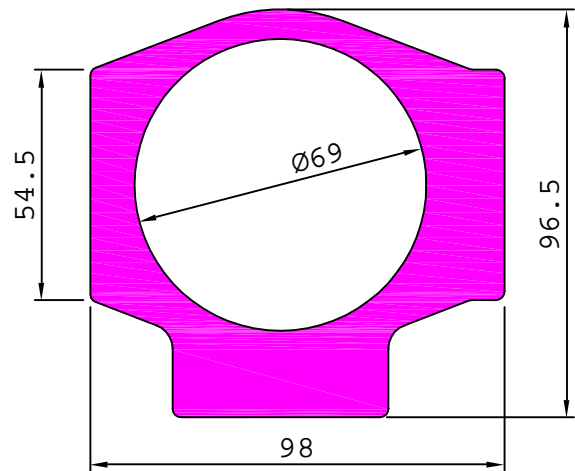
27049

19.074 kg/m



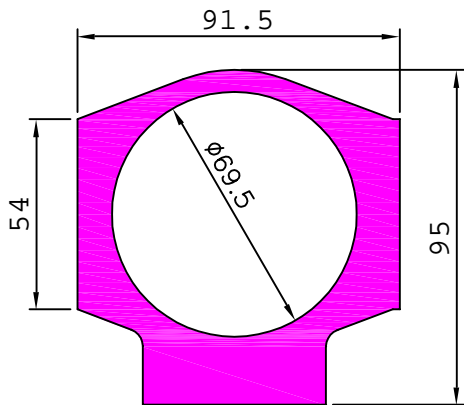
27050

10.550 kg/m



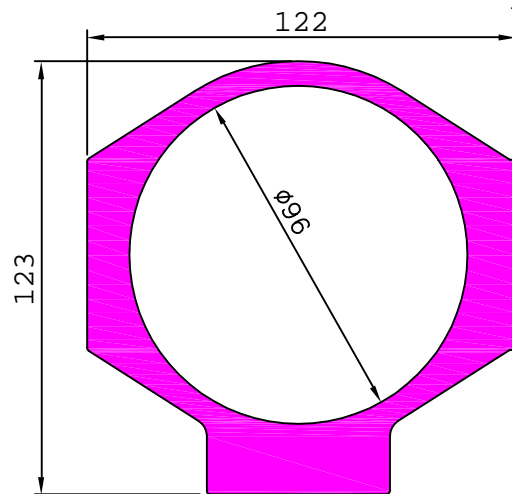
27051

9.212 kg/m



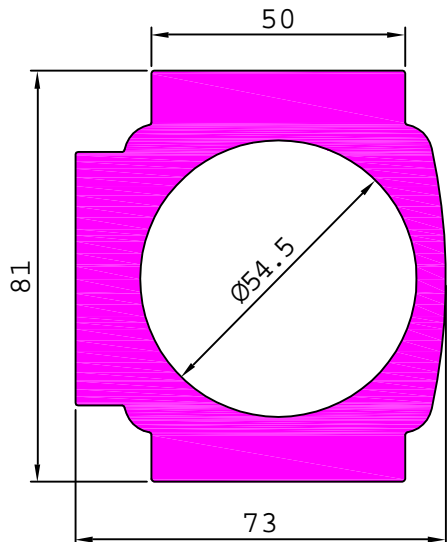
27052

11.612 kg/m



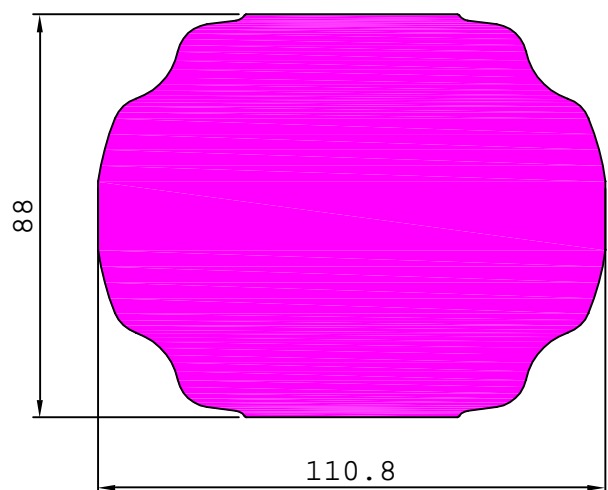
27053

7.856 kg/m



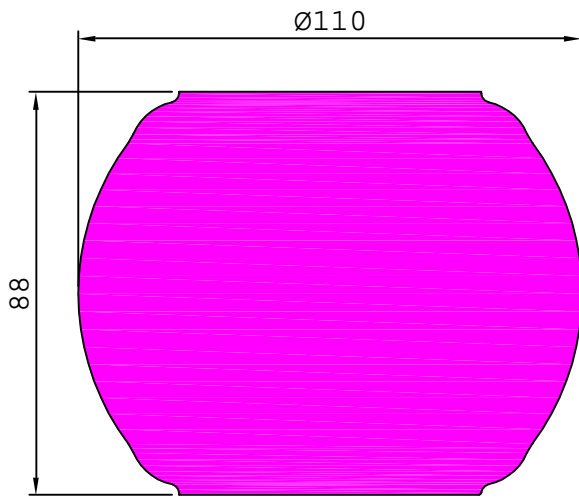
27054

22.303 kg/m

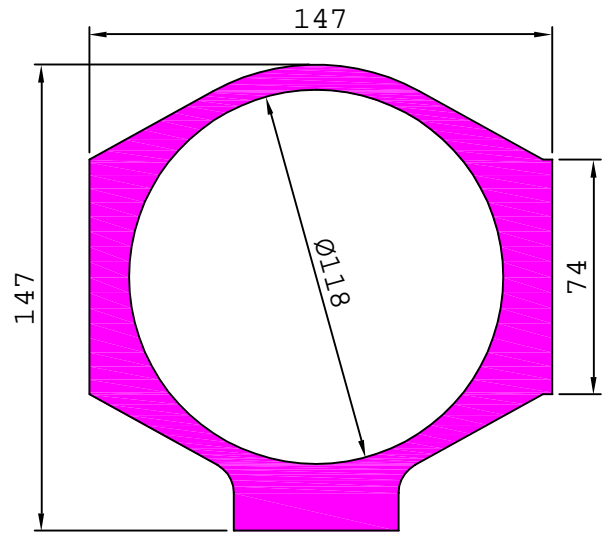


PUMP BODY AND ACTUATOR BODY

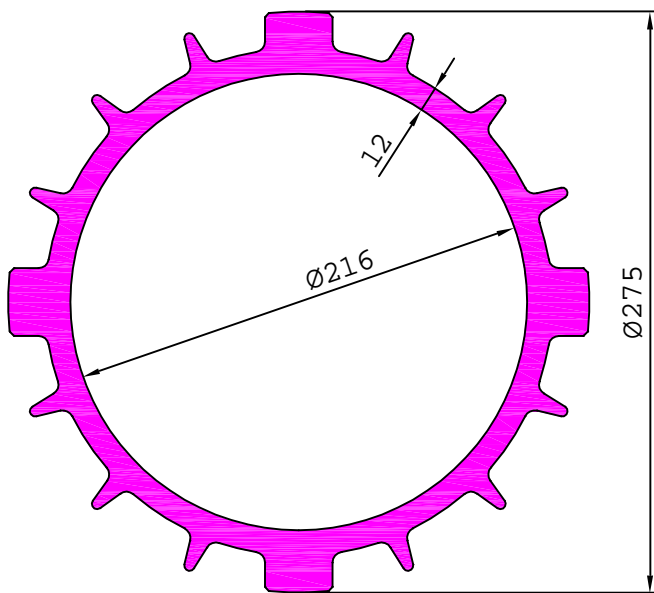
27055 23.021 kg/m



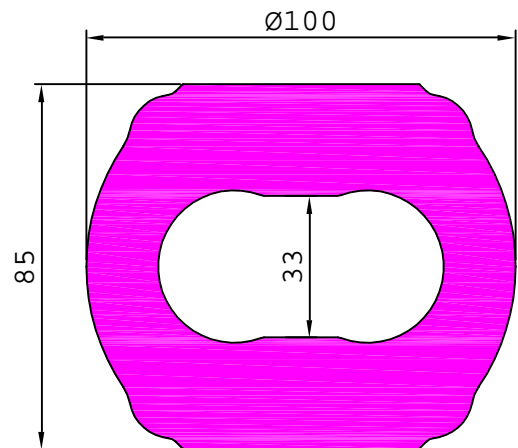
27056 16.094 kg/m



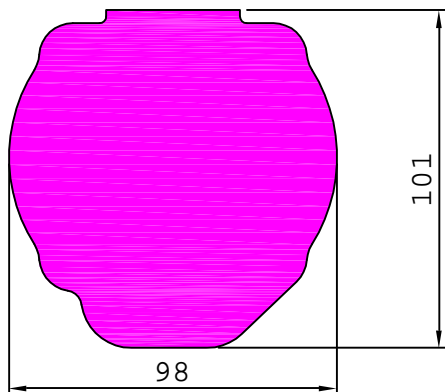
27057 33.495 kg/m



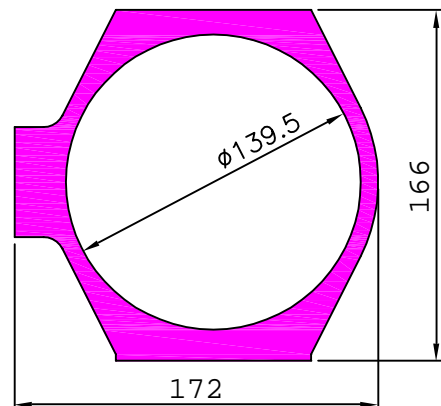
27058 14.519 kg/m



27059 21.652 kg/m



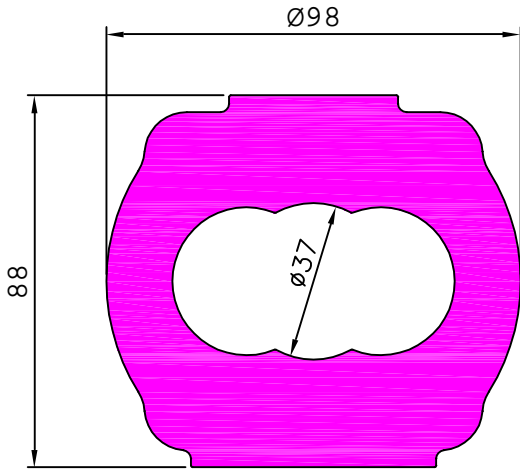
27060 19.560 kg/m



PUMP BODY AND ACTUATOR BODY

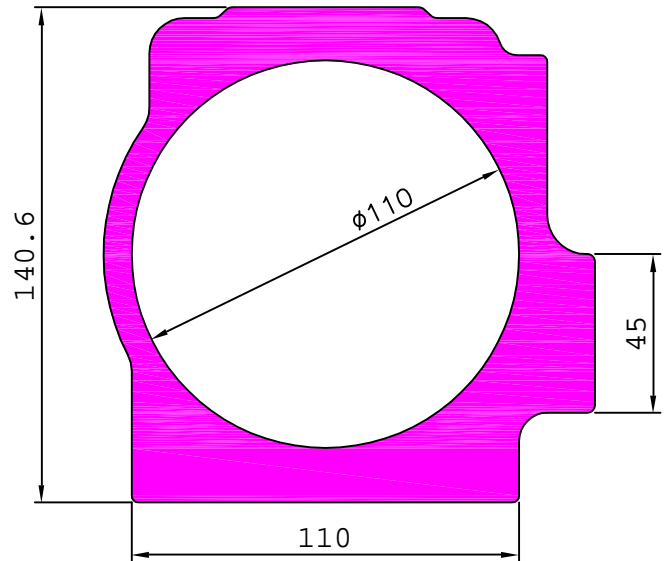
27061

14.402 kg/m



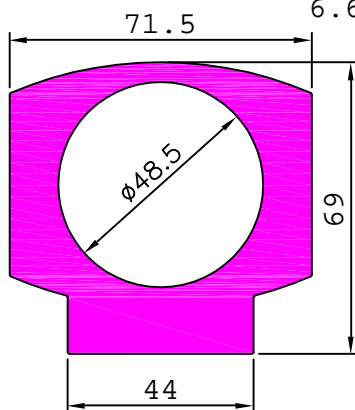
27062

19.810 kg/m



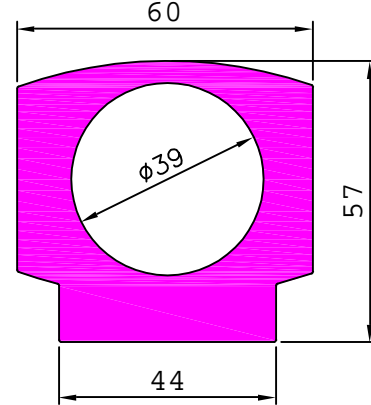
27063

6.686 kg/m



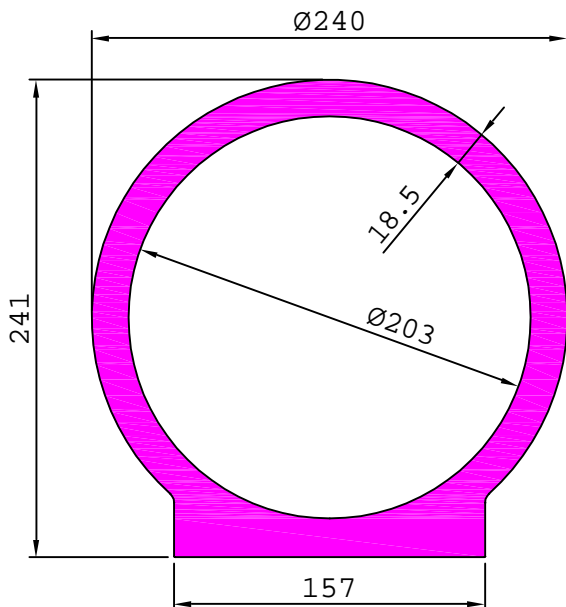
27064

5.177 kg/m



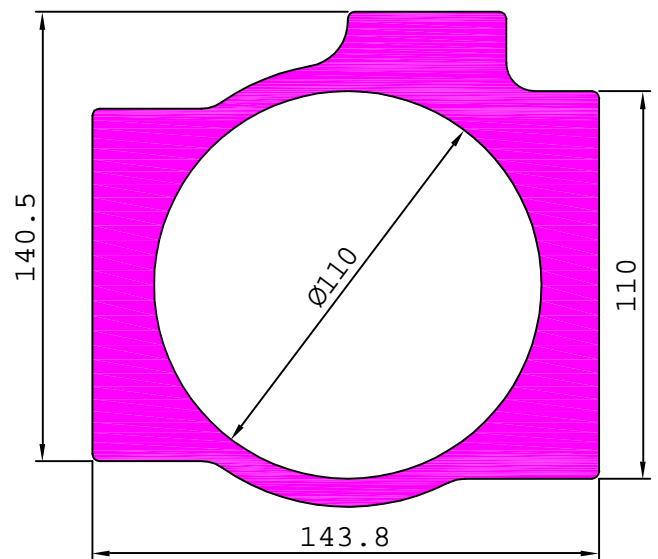
27065

39.094 kg/m



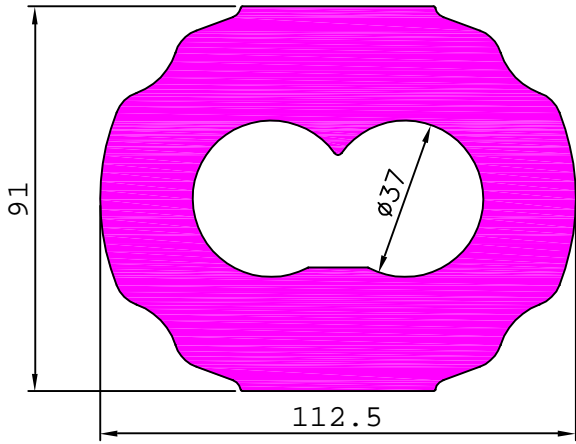
27066

20.213 kg/m

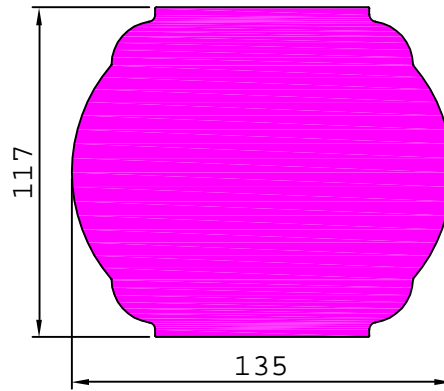


PUMP BODY AND ACTUATOR BODY

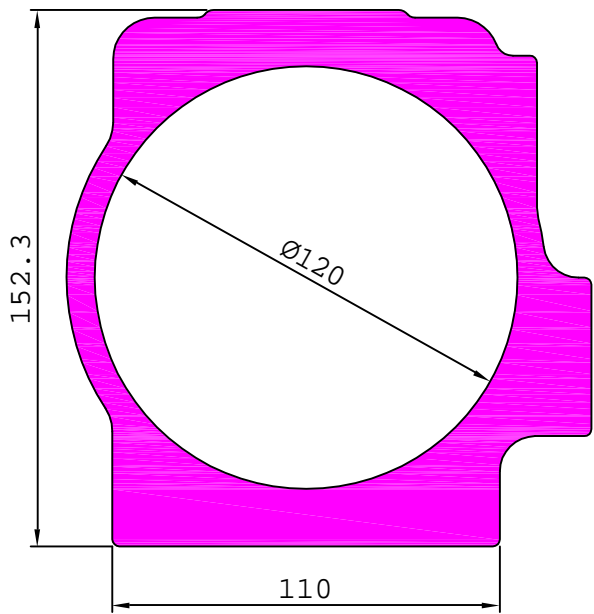
27067 16.926 kg/m



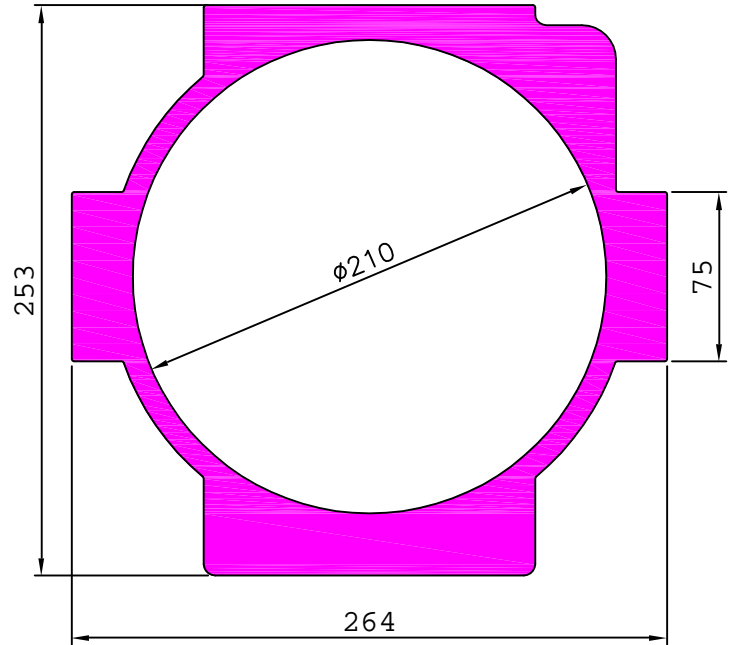
27068 36.351 kg/m



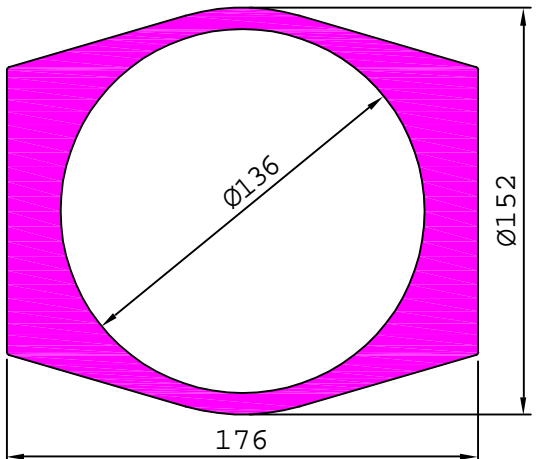
27069 21.244 kg/m



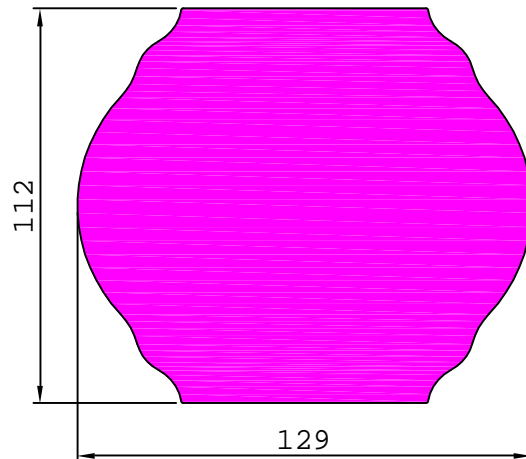
27070 46.544 kg/m



27071 23.574 kg/m



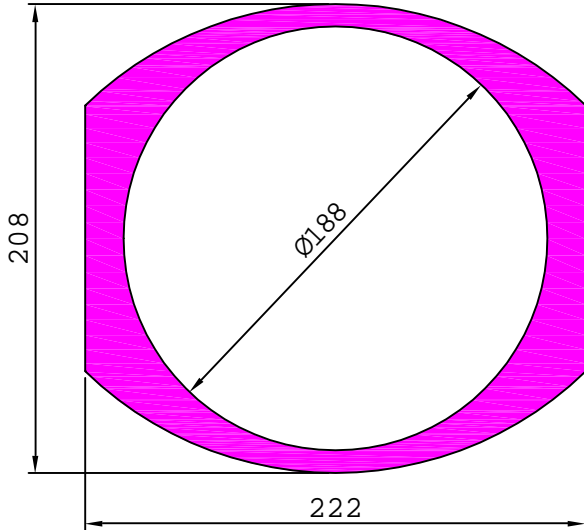
27072 32.065 kg/m



PUMP BODY AND ACTUATOR BODY

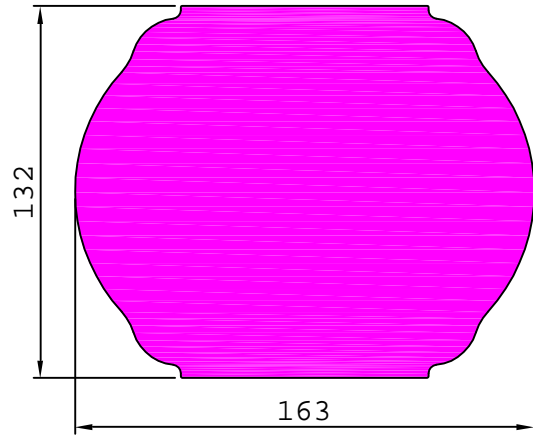
27073

32.899 kg/m



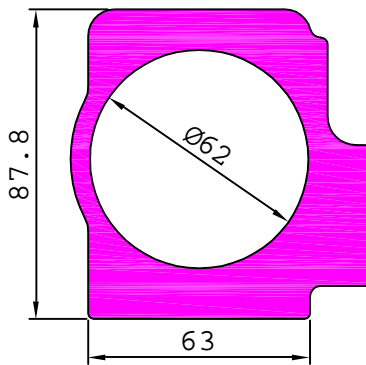
S1719

49.276 kg/m



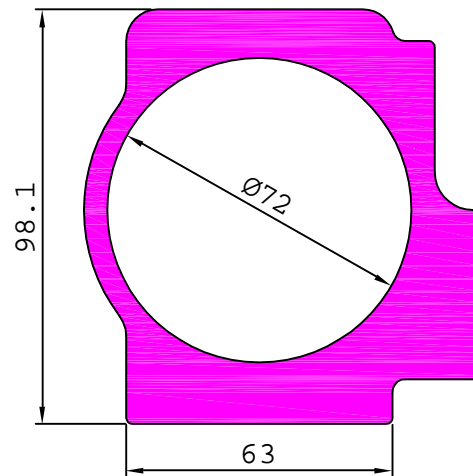
S1733

9.297 kg/m



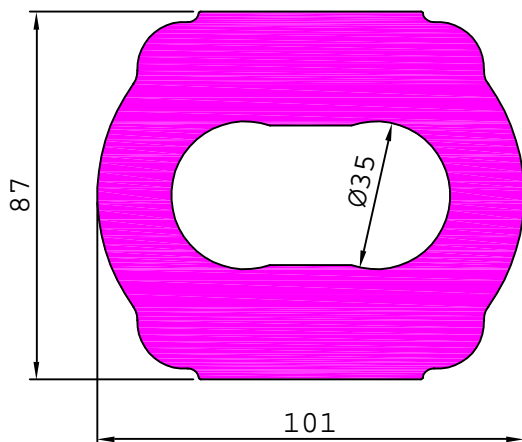
S1734

9.985 kg/m



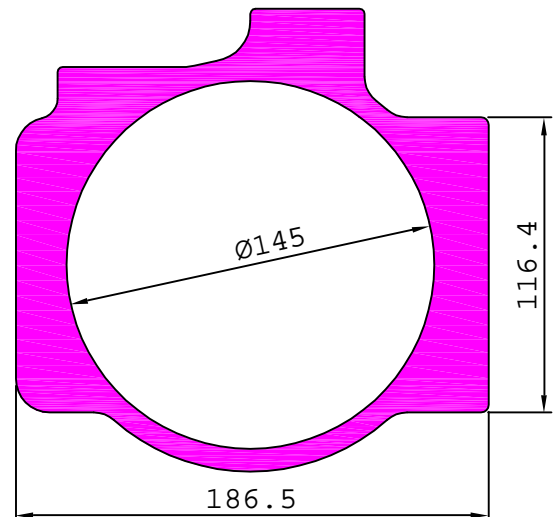
S1821

15.138 kg/m



S1826

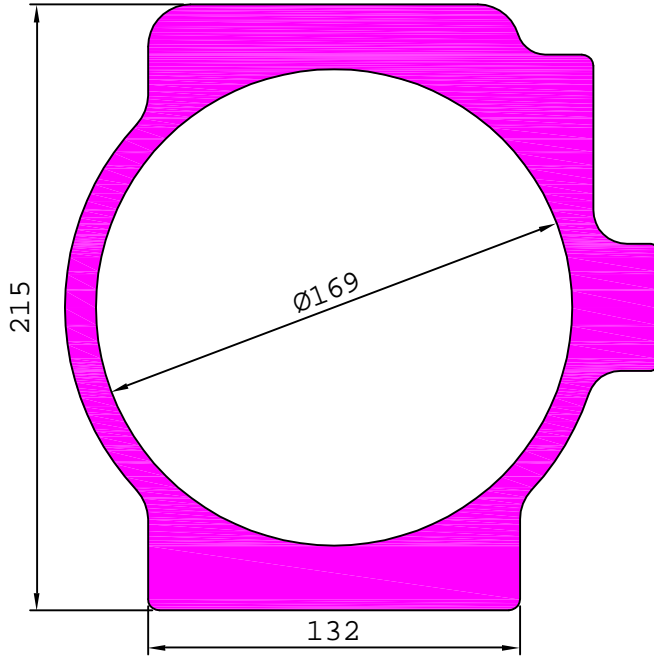
28.507 kg/m



PUMP BODY AND ACTUATOR BODY

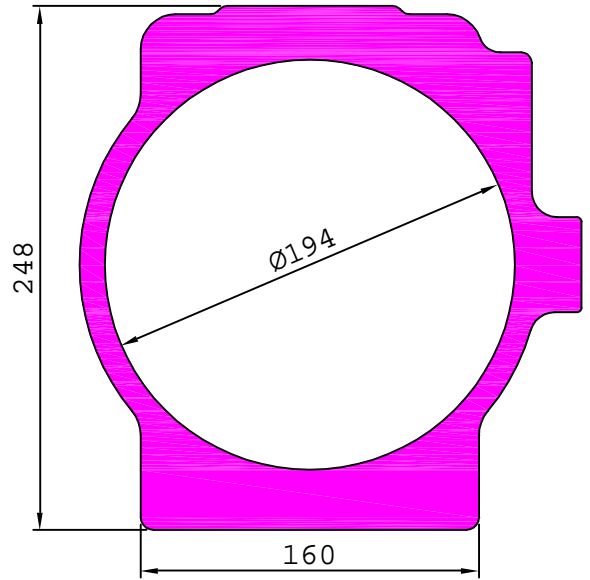
S1883

36.225 kg/m



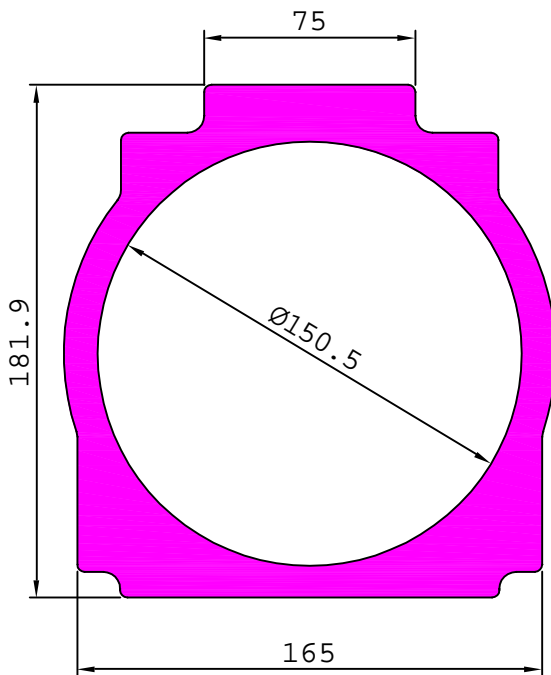
S1884

47.807 kg/m



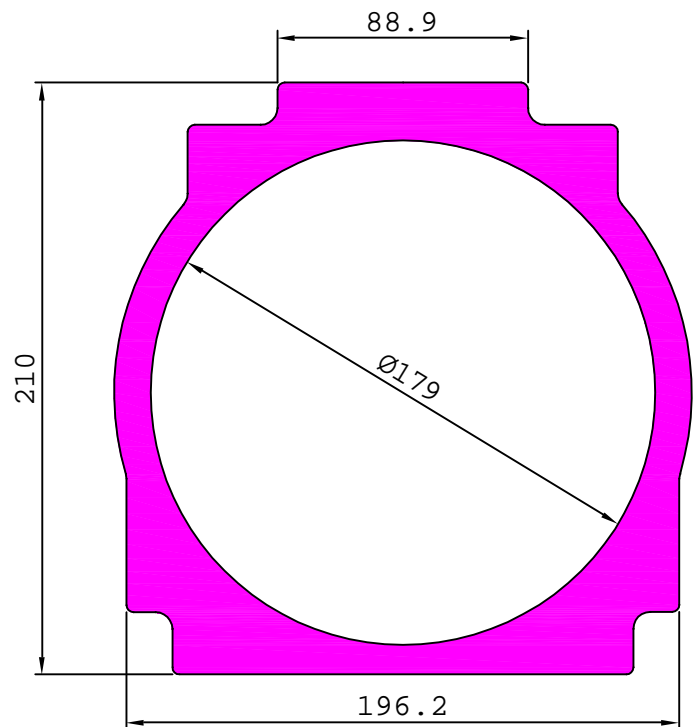
S1887

26.306 kg/m



S1888

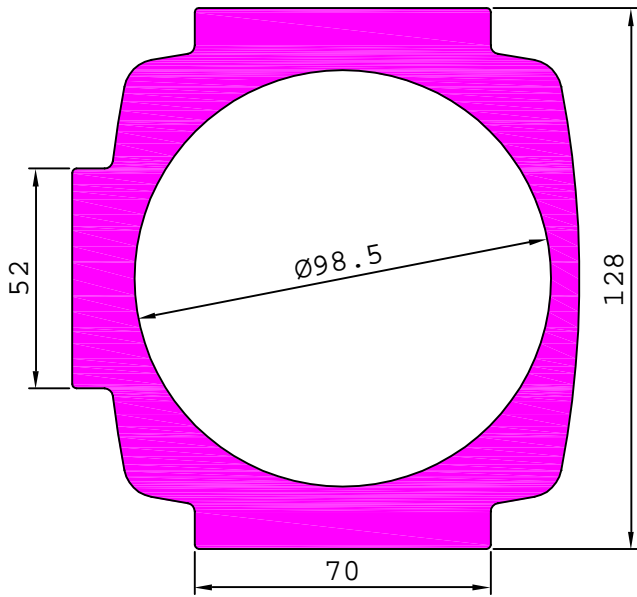
32.964 kg/m



PUMP BODY AND ACTUATOR BODY

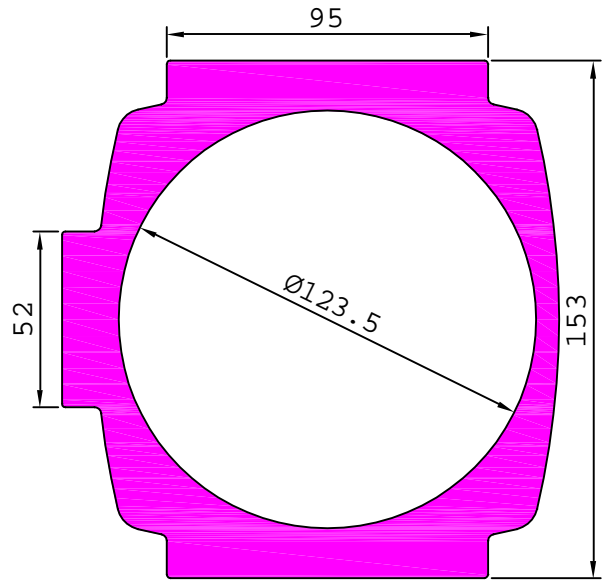
S1958

15.511 kg/m



S2053

20.691 kg/m



S2050

11.526 kg/m

