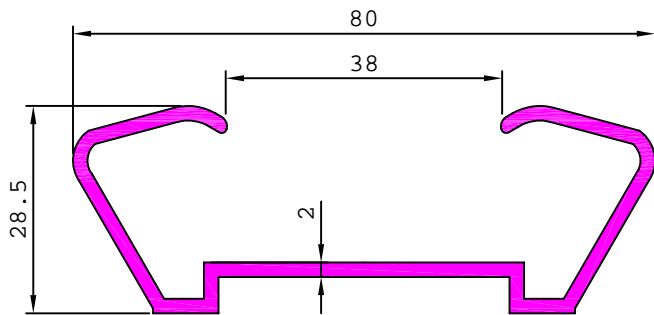
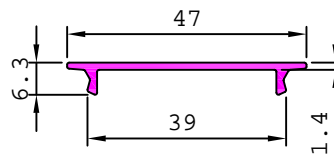


HAND RAILS

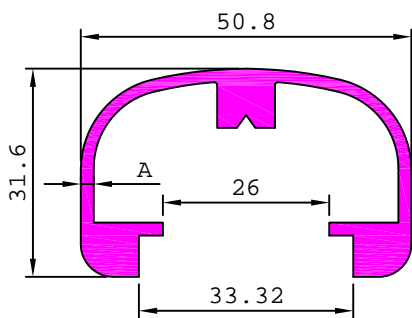
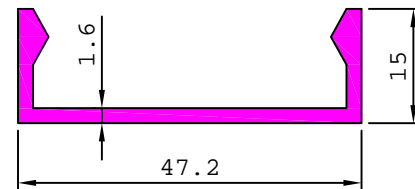
19204 0.851 kg/m



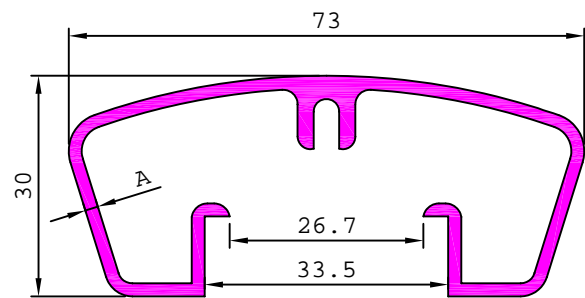
19205 0.221 kg/m



19209 0.364 kg/m

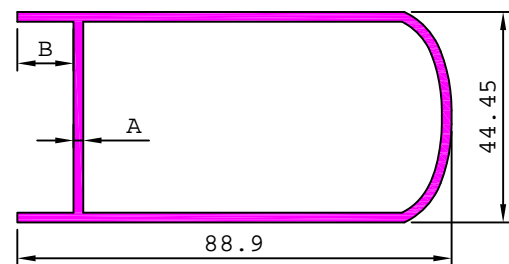
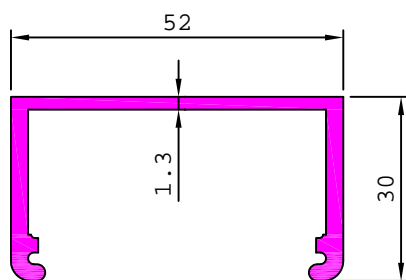


SL. No.	Section No.	A	Weight kg/m
1	19224	1.34	0.855
2	19223	1.92	0.975
3	19206	3.00	1.210

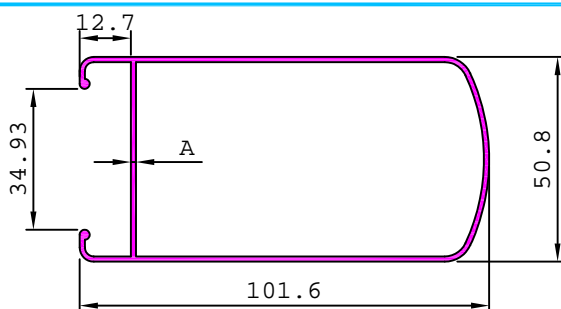


SL. No.	Section No.	A	Weight kg/m
1	19226	1.20	0.684
2	19225	1.65	0.854
3	19207	2.50	1.281

19212 0.401 kg/m

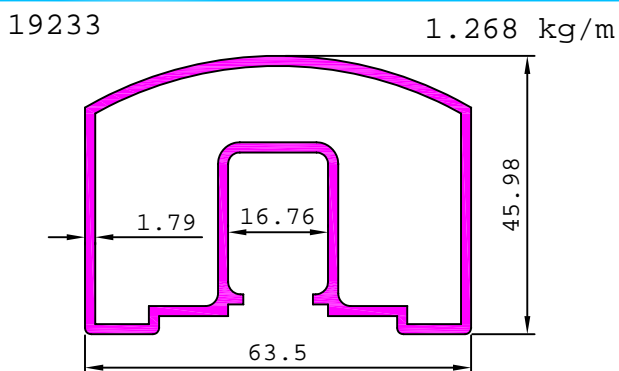
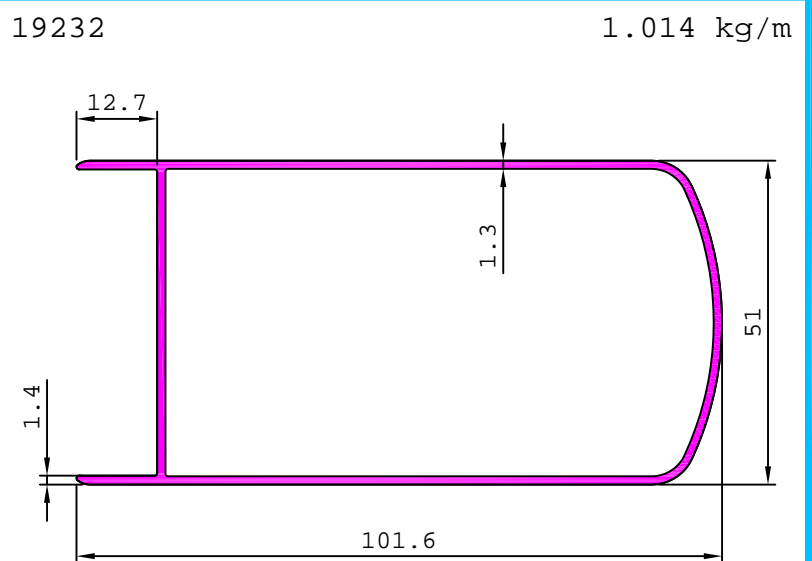
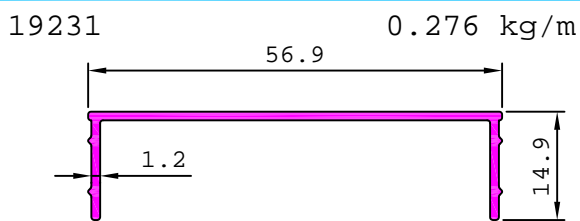
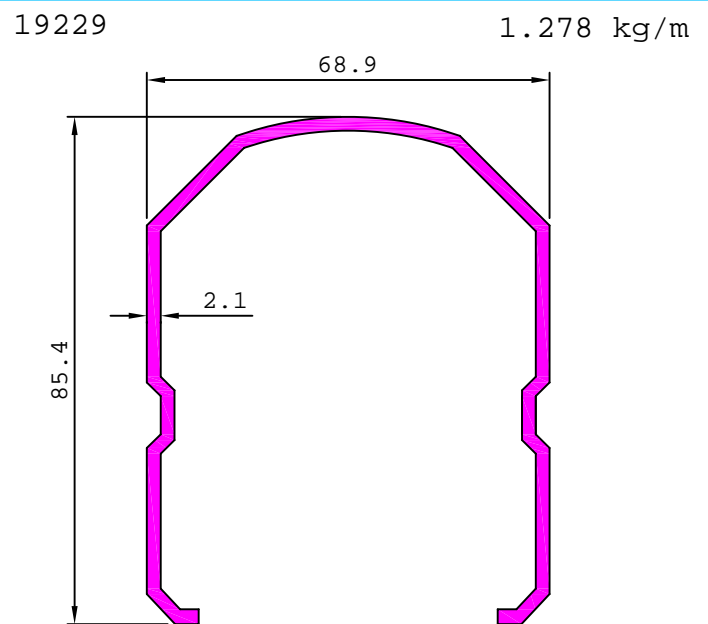
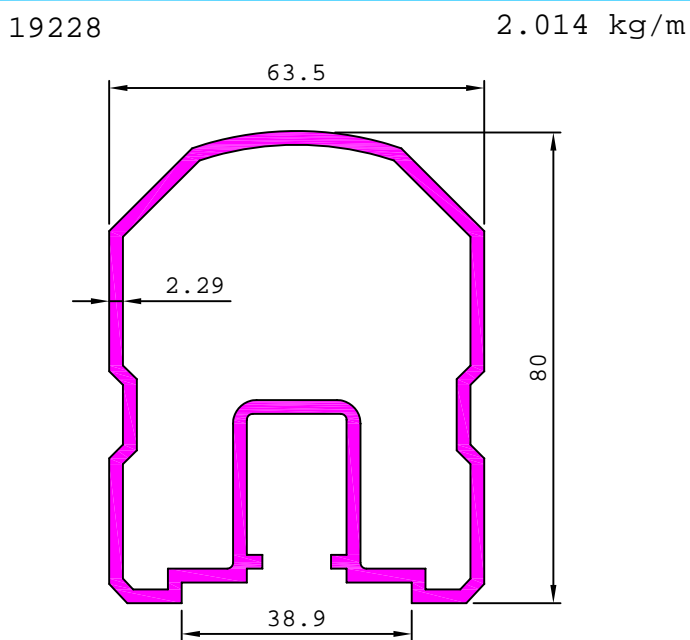
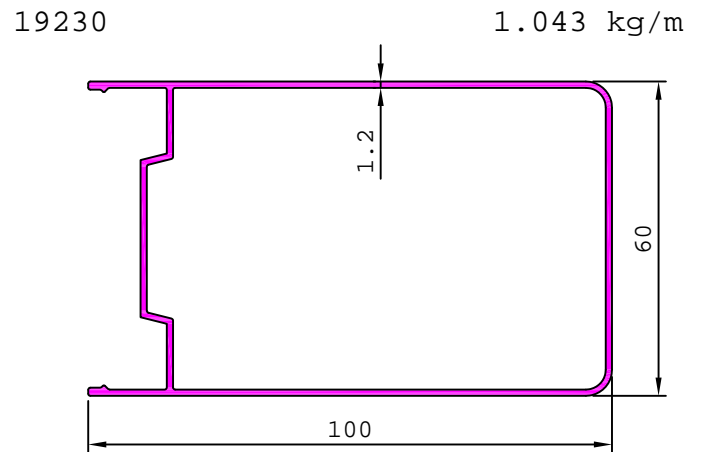
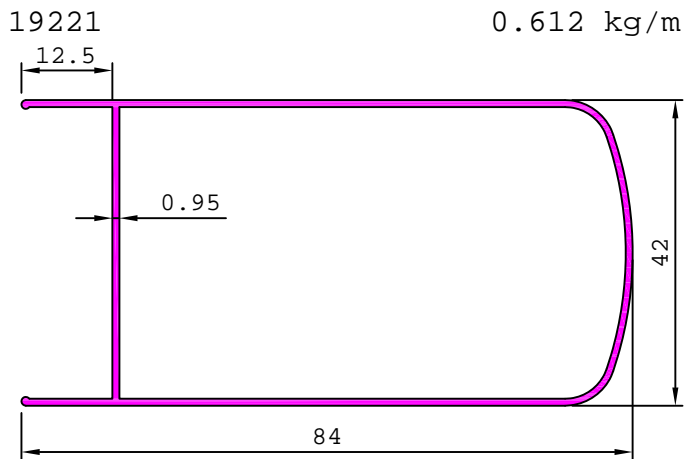


SL. No.	Section No.	A	B	Weight kg/m
1	19218	1.10	12.70	0.738
2	19217	1.15	12.50	0.765
3	19215	1.40	12.50	0.976



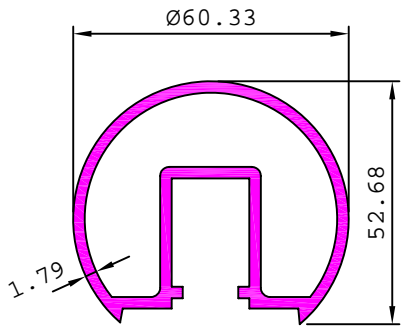
SL. No.	Section No.	A	Weight kg/m
1	19227	0.93	0.763
2	19222	1.19	0.970
3	19220	1.30	1.067

HAND RAILS

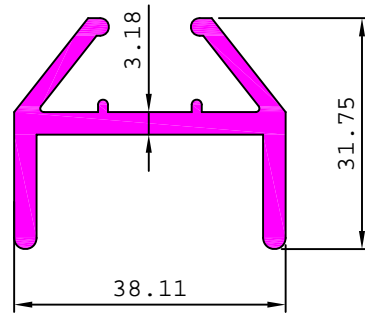


HAND RAILS

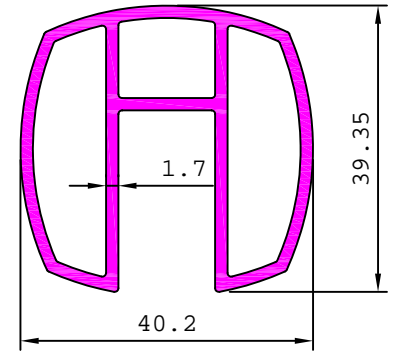
19234 1.191 kg/m



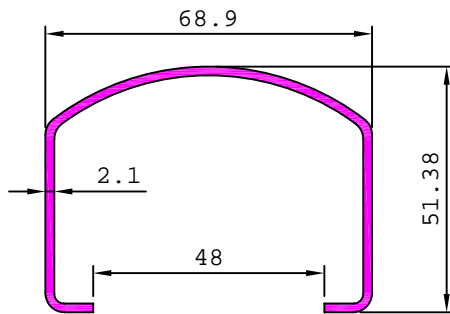
19235 0.819 kg/m



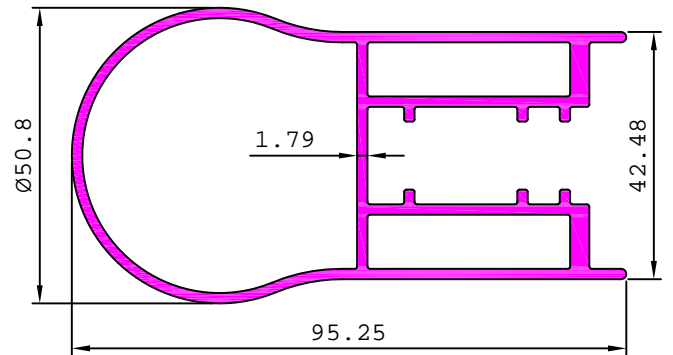
29012 0.922 kg/m



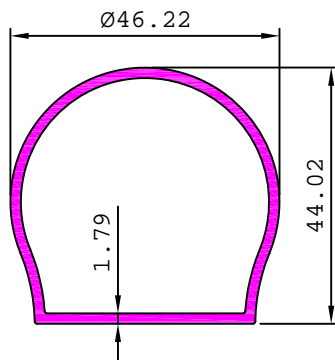
19236 0.926 kg/m



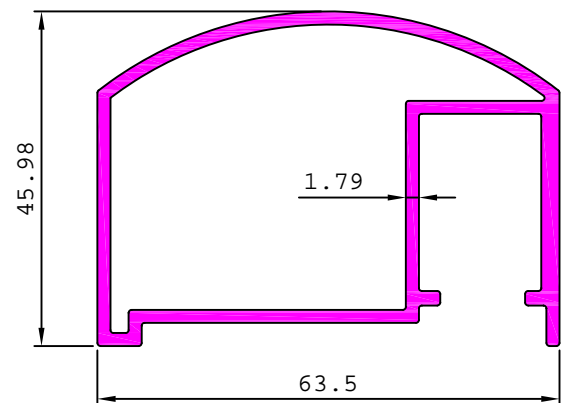
19240 1.847 kg/m



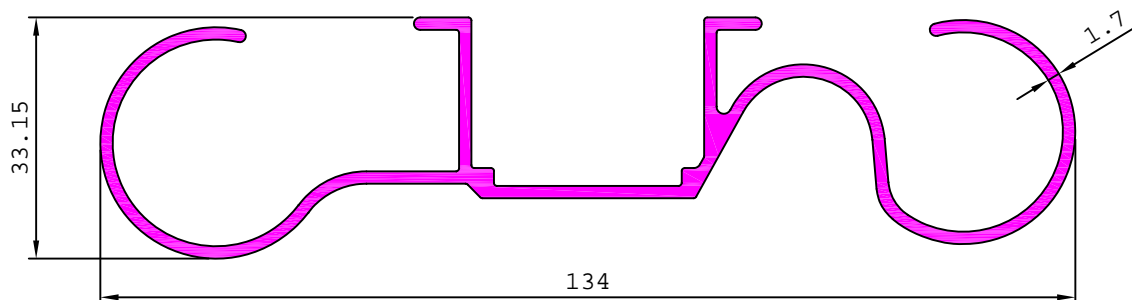
19241 0.711 kg/m



19242 1.179 kg/m

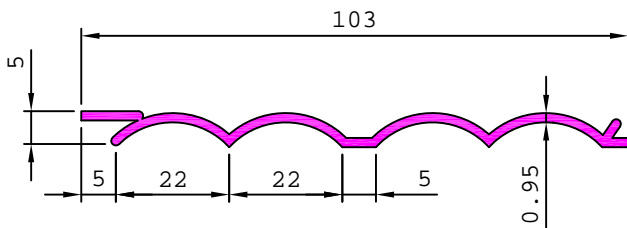


S3351 1.327 kg/m

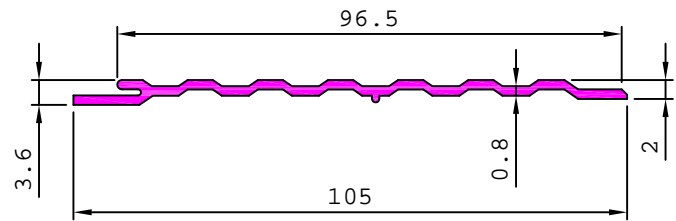


WALL FACINGS

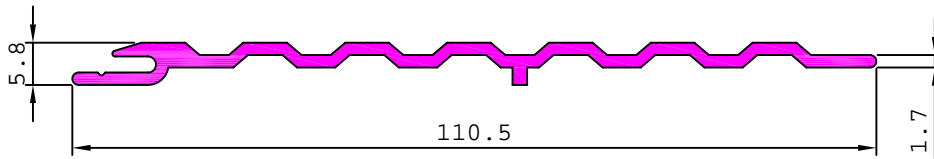
19303 0.300 kg/m



19304 0.303 kg/m



19305 0.607 kg/m



19306 3.748 kg/m

